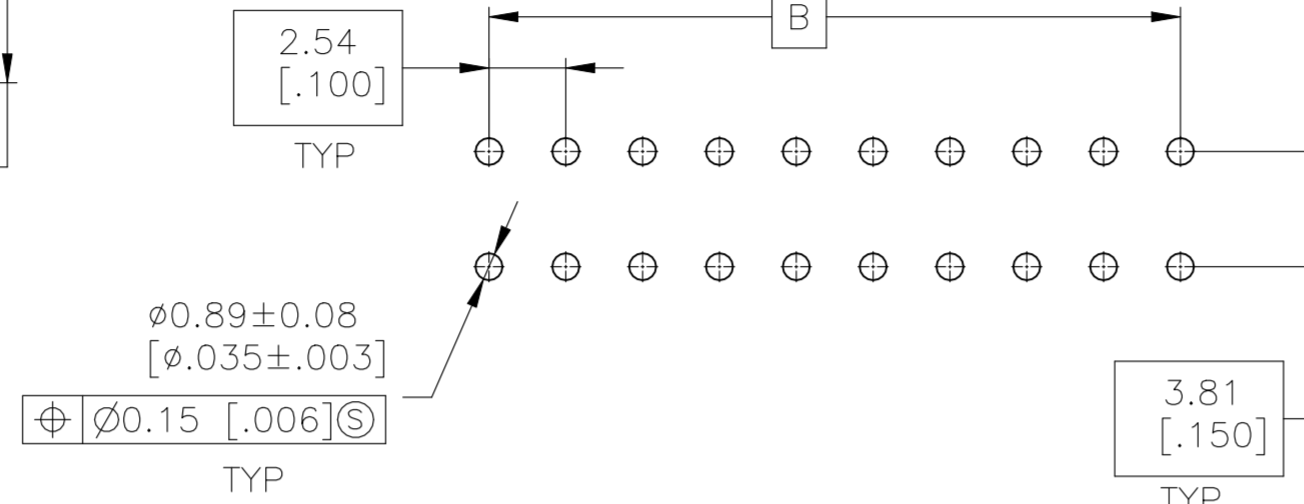
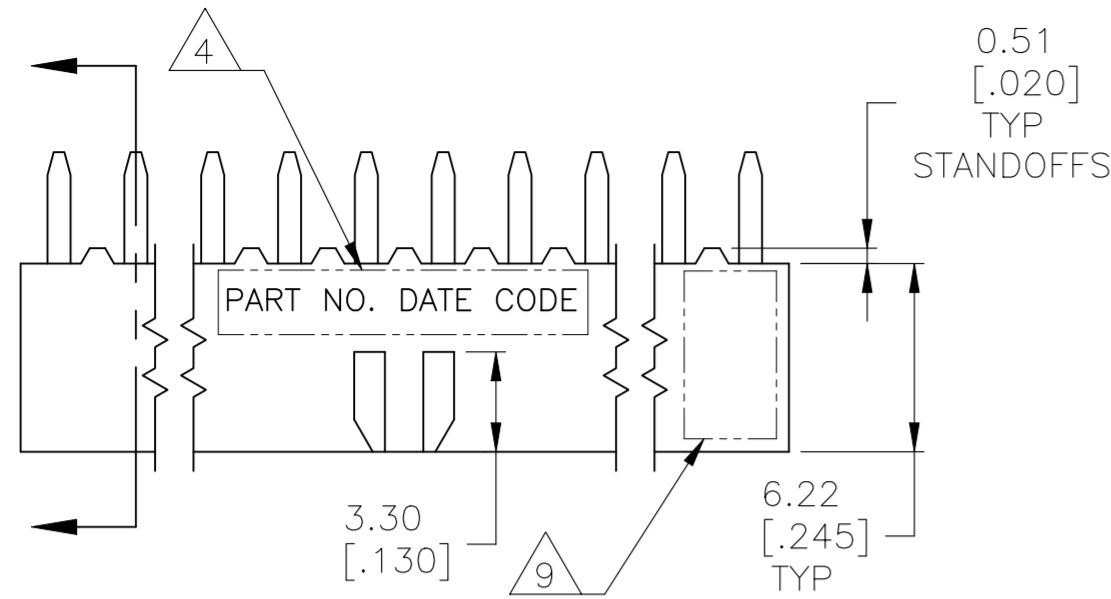
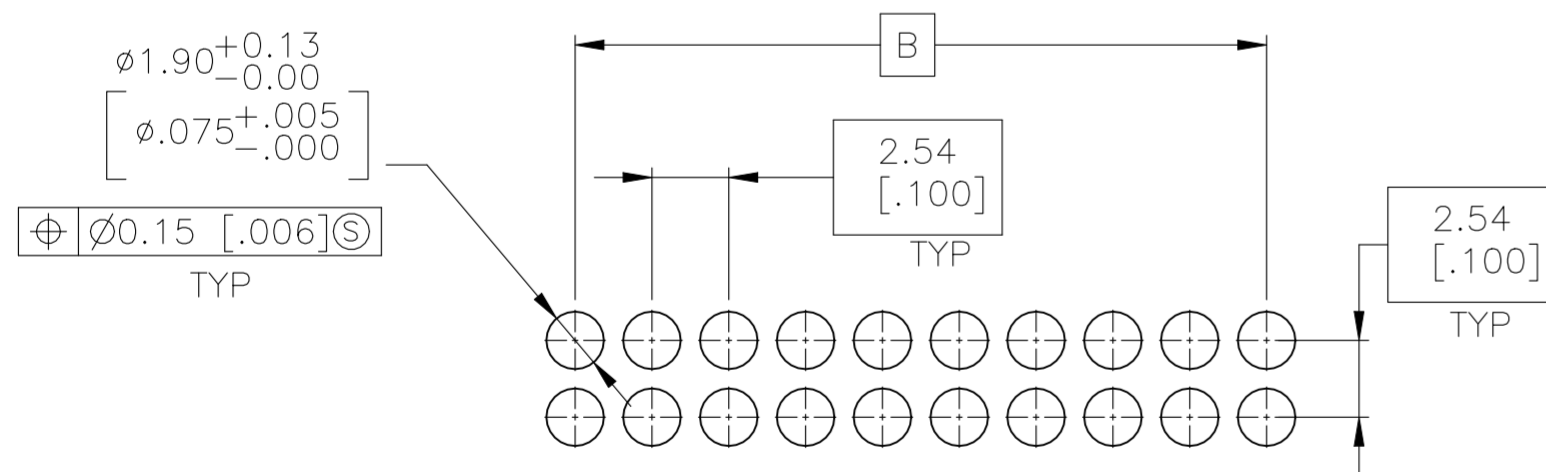
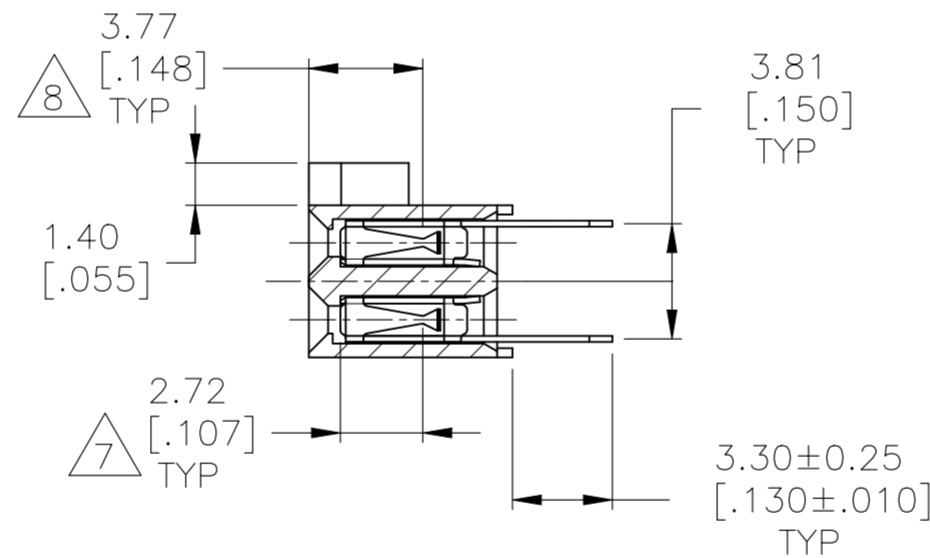
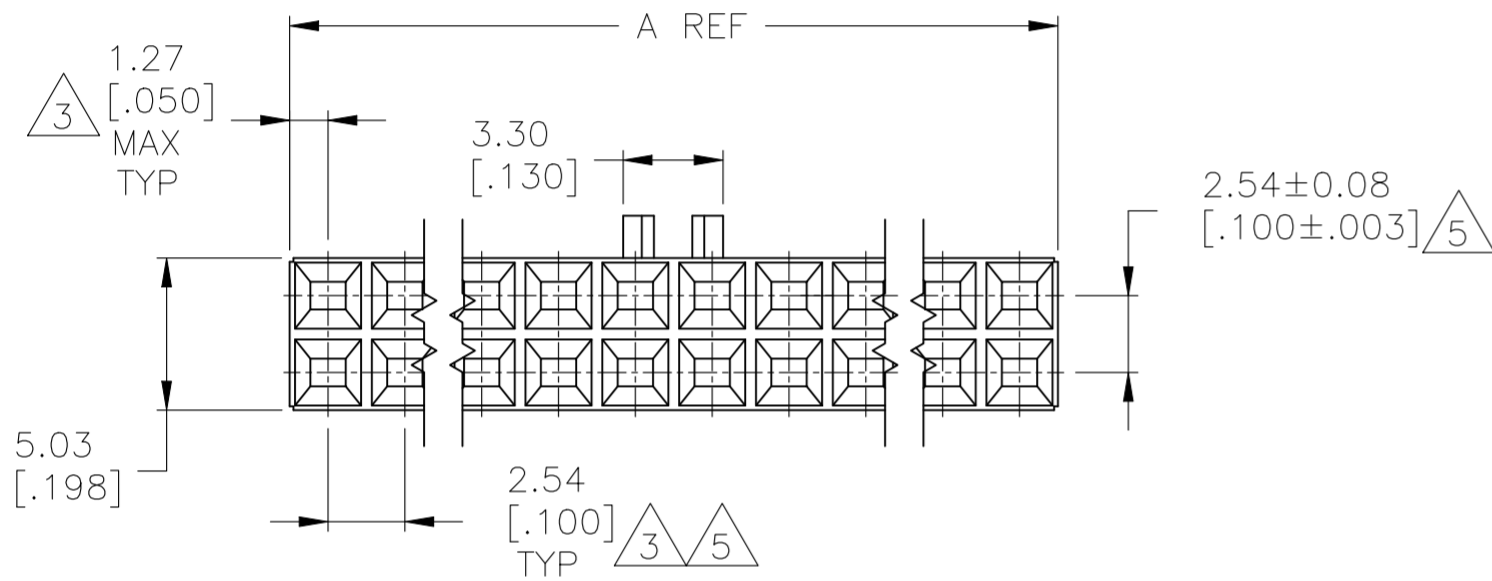


REVISIONS				
P	LTR	DESCRIPTION	DATE	DWN APVD
B		RESIN SUPPLIER CHANGE FOR THE HOUSING	03DEC2021	SCB KJK



PC BOARD LAYOUT FOR TOP ENTRY  
PC BOARD THICKNESS 1.57 [.062]



PC BOARD LAYOUT FOR BOTTOM ENTRY  
PC BOARD THICKNESS 1.57 [.062]

- 1 HOUSING: FLAME RETARDANT, GLASS FILLED, POLYESTER, COLOR: BLACK. CONTACT: PHOSPHOR BRONZE
- 2 CONTACT: DUPLEX PLATED 0.76μm[.000030] GOLD IN CONTACT AREA, 3.81–7.62μm[.000150–.000300] BRIGHT TIN–LEAD ON LEADS, ALL OVER 1.27μm[.000050] MINIMUM NICKEL.
- 3 THESE DIMENSIONS PERTAIN TO CAVITY CENTERLINES ONLY – NOT TO CONTACT LOCATIONS
- 4 MARK PART NUMBER AND DATE CODE ARE MARKED IN APPROXIMATE LOCATION SHOWN, EITHER SIDE.
- 5 TOLERANCE IS NON-CUMULATIVE.
- 6 2 POSITION DATE CODE IS MARKED OPPOSITE SIDE OF TE LOGO.
- 7 POINT-OF-MEASUREMENT DIMENSION FOR PLATING THICKNESS (INSIDE CONTACT BEAM).
- 8 POINT-OF-CONTACT DIMENSION.
- 9 TE CONNECTIVITY TRADEMARK AND CSA LOGO ARE MOLDED INTO HOUSING, THIS LOCATION.
- 10 NO PART NUMBER MARKING REQUIRED FOR THIS PART.
- 11 CONTACT: DUPLEX PLATED 0.76 MICROMETERS (.000030) GOLD IN CONTACT AREA, 3.81–7.62 MICROMETERS (.000150–.000300) MATTE TIN ON LEADS, ALL OVER 1.27 MICROMETERS (.000050) MINIMUM NICKEL
- 12 ROHS 2002/95/EC COMPLIANT
- 13 PRELIMINARY PART – NOT RELEASED FOR PRODUCTION


THIS DRAWING IS A CONTROLLED DOCUMENT.		DWN KIRAN_HOLAL 09JAN2013	TE Connectivity Ltd.	
DIMENSIONS: mm [INCHES]		CHK JOSEPH_OLSON 09JAN2013		
TOLERANCES UNLESS OTHERWISE SPECIFIED:		APVD JOSEPH_OLSON 09JAN2013	NAME RECEPTACLE ASSEMBLY, MOD IV, DOUBLE ROW, DUAL ENTRY, .100X.100CL, VERTICAL MOUNTW/ POLARIZATION, AMPMODU	
0 PLC ± - 1 PLC ± - 2 PLC ± 0.13[.005] 3 PLC ± - 4 PLC ± - ANGLES ± -		PRODUCT SPEC 108-25022	SIZE A2	CAGE CODE 00779
MATERIAL 1		FINISH 2 1	DRAWING NO 114-25018	DRAWING NO C=2267056
		WEIGHT -	SCALE 4:1	SHEET 1 OF 2
		CUSTOMER DRAWING	REV B	

REVISIONS				
P	LTR	DESCRIPTION	DATE	APVD
-	-	SEE SHEET 1	-	-

11	99.06[3.900]	101.60[4.000]	80	12	9-2267056-0
11	96.52[3.800]	99.06[3.900]	78	12	8-2267056-9
11	93.98[3.700]	96.52[3.800]	76	12	8-2267056-8
11	91.44[3.600]	93.98[3.700]	74	12	8-2267056-7
11	88.90[3.500]	91.44[3.600]	72	12	8-2267056-6
11	86.36[3.400]	88.90[3.500]	70	12	8-2267056-5
11	83.82[3.300]	86.36[3.400]	68	12	8-2267056-4
11	81.28[3.200]	83.82[3.300]	66	12	8-2267056-3
11	78.74[3.100]	81.28[3.200]	64	12	8-2267056-2
11	76.20[3.000]	78.74[3.100]	62	12	8-2267056-1
11	73.66[2.900]	76.20[3.000]	60	12	8-2267056-0
11	71.12[2.800]	73.66[2.900]	58	12	7-2267056-9
11	68.58[2.700]	71.12[2.800]	56	12	7-2267056-8
11	66.04[2.600]	68.58[2.700]	54	12	7-2267056-7
11	63.50[2.500]	66.04[2.600]	52	12	7-2267056-6
11	60.96[2.400]	63.50[2.500]	50	12	7-2267056-5
11	58.42[2.300]	60.96[2.400]	48	12	7-2267056-4
11	55.88[2.200]	58.42[2.300]	46	12	7-2267056-3
11	53.34[2.100]	55.88[2.200]	44	12	7-2267056-2
11	50.80[2.000]	53.34[2.100]	42	12	7-2267056-1
11	48.26[1.900]	50.80[2.000]	40	12	7-2267056-0
11	45.72[1.800]	48.26[1.900]	38	12	6-2267056-9
11	43.18[1.700]	45.72[1.800]	36	12	6-2267056-8
11	40.64[1.600]	43.18[1.700]	34	12	6-2267056-7
11	38.10[1.500]	40.64[1.600]	32	12	6-2267056-6
11	35.56[1.400]	38.10[1.500]	30	12	6-2267056-5
11	33.02[1.300]	35.56[1.400]	28	12	6-2267056-4
11	30.48[1.200]	33.02[1.300]	26	12	6-2267056-3
11	27.94[1.100]	30.48[1.200]	24	12	6-2267056-2
11	25.40[1.000]	27.94[1.100]	22	12	6-2267056-1
11	22.86[.900]	25.40[1.000]	20	12	6-2267056-0
11	20.32[.800]	22.86[.900]	18	12	5-2267056-9
11	17.78[.700]	20.32[.800]	16	12	5-2267056-8
11	15.24[.600]	17.78[.700]	14	12	5-2267056-7
11	12.70[.500]	15.24[.600]	12	12	5-2267056-6
10	10.16[.400]	12.70[.500]	10	12	5-2267056-5
10	7.62[.300]	10.16[.400]	8	12	5-2267056-4
10	5.08[.200]	7.62[.300]	6	12	5-2267056-3
10	2.54[.100]	5.08[.200]	4	12	5-2267056-2
10	-	2.54[.100]	2	12	5-2267056-1
FINISH	B	A	NO OF POSN	PART NUMBER	

2	99.06[3.900]	101.60[4.000]	80	2	4-2267056-0
2	96.52[3.800]	99.06[3.900]	78	2	3-2267056-9
2	93.98[3.700]	96.52[3.800]	76	2	3-2267056-8
2	91.44[3.600]	93.98[3.700]	74	2	3-2267056-7
2	88.90[3.500]	91.44[3.600]	72	2	3-2267056-6
2	86.36[3.400]	88.90[3.500]	70	2	3-2267056-5
2	83.82[3.300]	86.36[3.400]	68	2	3-2267056-4
2	81.28[3.200]	83.82[3.300]	66	2	3-2267056-3
2	78.74[3.100]	81.28[3.200]	64	2	3-2267056-2
2	76.20[3.000]	78.74[3.100]	62	2	3-2267056-1
2	73.66[2.900]	76.20[3.000]	60	2	3-2267056-0
2	71.12[2.800]	73.66[2.900]	58	2	2-2267056-9
2	68.58[2.700]	71.12[2.800]	56	2	2-2267056-8
2	66.04[2.600]	68.58[2.700]	54	2	2-2267056-7
2	63.50[2.500]	66.04[2.600]	52	2	2-2267056-6
2	60.96[2.400]	63.50[2.500]	50	2	2-2267056-5
2	58.42[2.300]	60.96[2.400]	48	2	2-2267056-4
2	55.88[2.200]	58.42[2.300]	46	2	2-2267056-3
2	53.34[2.100]	55.88[2.200]	44	2	2-2267056-2
2	50.80[2.000]	53.34[2.100]	42	2	2-2267056-1
2	48.26[1.900]	50.80[2.000]	40	2	2-2267056-0
2	45.72[1.800]	48.26[1.900]	38	2	1-2267056-9
2	43.18[1.700]	45.72[1.800]	36	2	1-2267056-8
2	40.64[1.600]	43.18[1.700]	34	2	1-2267056-7
2	38.10[1.500]	40.64[1.600]	32	2	1-2267056-6
2	35.56[1.400]	38.10[1.500]	30	2	1-2267056-5
2	33.02[1.300]	35.56[1.400]	28	2	1-2267056-4
2	30.48[1.200]	33.02[1.300]	26	2	1-2267056-3
2	27.94[1.100]	30.48[1.200]	24	2	1-2267056-2
2	25.40[1.000]	27.94[1.100]	22	2	1-2267056-1
2	22.86[.900]	25.40[1.000]	20	2	1-2267056-0
2	20.32[.800]	22.86[.900]	18	2	2267056-9
2	17.78[.700]	20.32[.800]	16	2	2267056-8
2	15.24[.600]	17.78[.700]	14	2	2267056-7
2	12.70[.500]	15.24[.600]	12	2	2267056-6
10	10.16[.400]	12.70[.500]	10	2	2267056-5
10	7.62[.300]	10.16[.400]	8	2	2267056-4
10	5.08[.200]	7.62[.300]	6	2	2267056-3
10	2.54[.100]	5.08[.200]	4	2	2267056-2
10	-	2.54[.100]	2	6	2267056-1
FINISH	B	A	NO OF POSN	PART NUMBER	

THIS DRAWING IS A CONTROLLED DOCUMENT.

DWN KIRAN HOLAL 09JAN2013	 TE Connectivity Ltd.
CHK JOSEPH OLSON 09JAN2013	
APVD JOSEPH OLSON 09JAN2013	
NAME JOSEPH OLSON	
PRODUCT SPEC 108-25022	RECEPTACLE ASSEMBLY, MOD IV, DOUBLE ROW, DUAL ENTRY, .100X.100CL, VERTICAL MOUNTW/ POLARIZATION, AMPMODU
APPLICATION SPEC 114-25018	SIZE A2
WEIGHT -	CAGE CODE 00779
CUSTOMER DRAWING	DRAWING NO C=2267056
	RESTRICTED TO -
	SCALE 4:1
	SHEET 2 of 2
	REV B