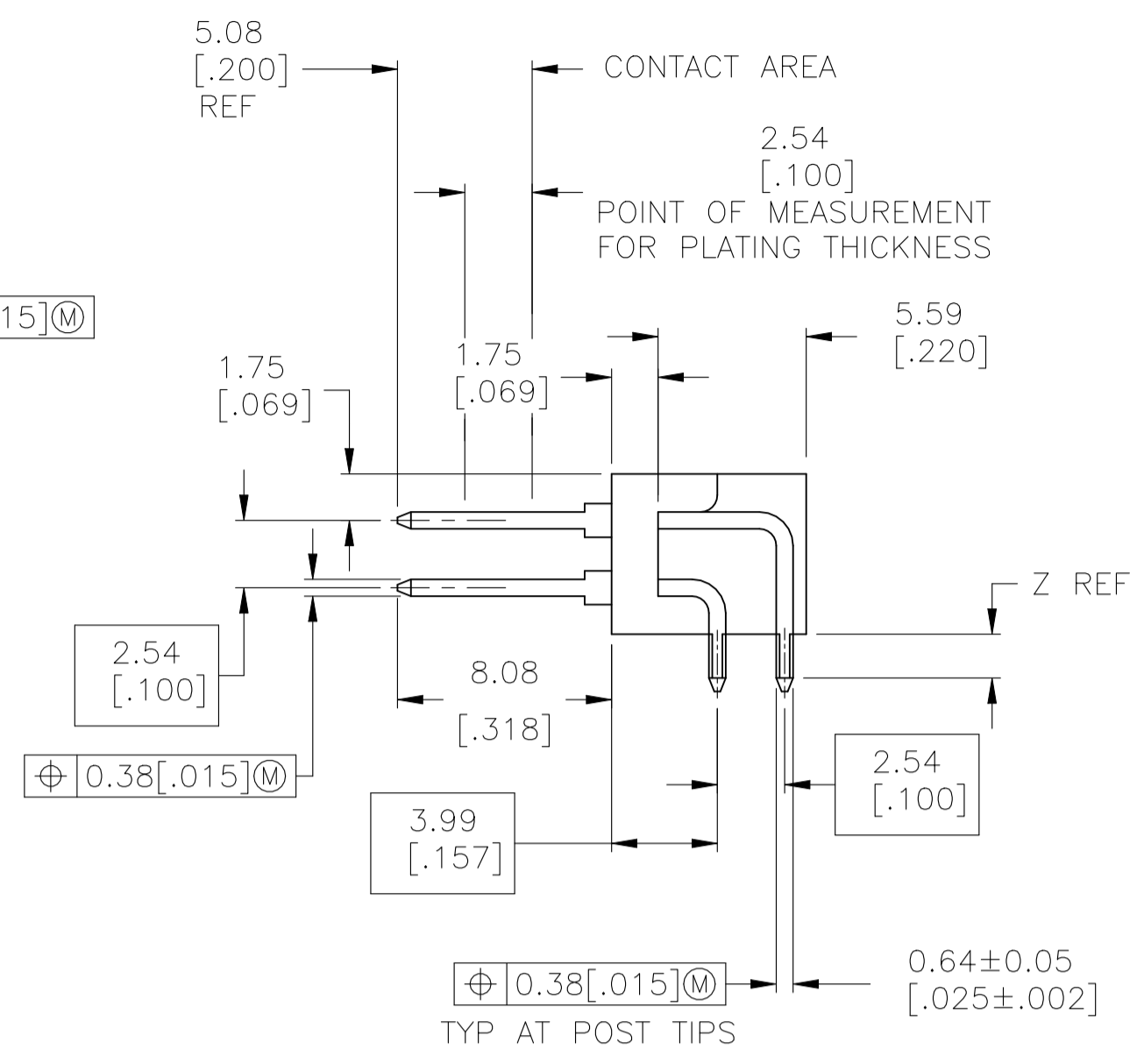
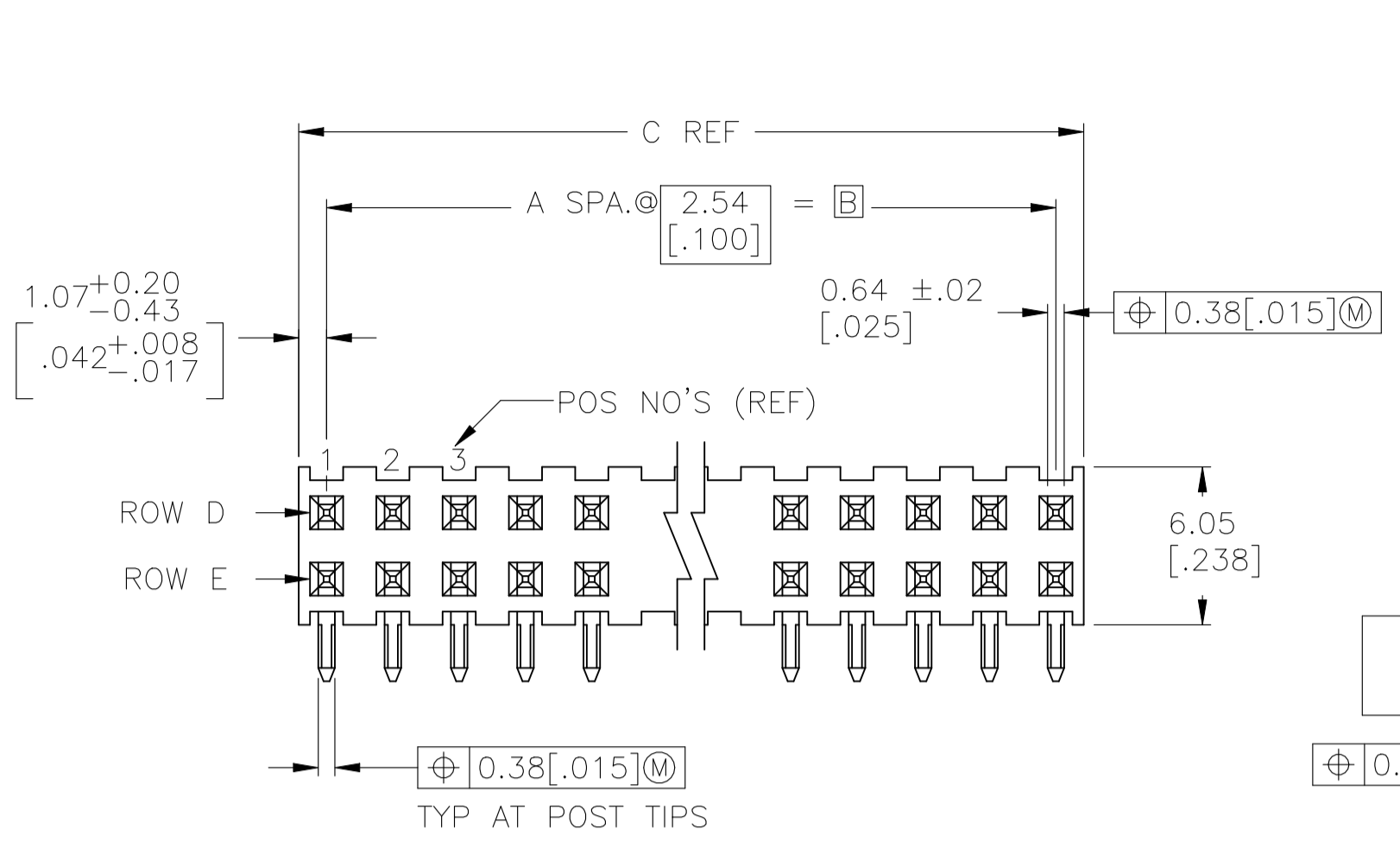
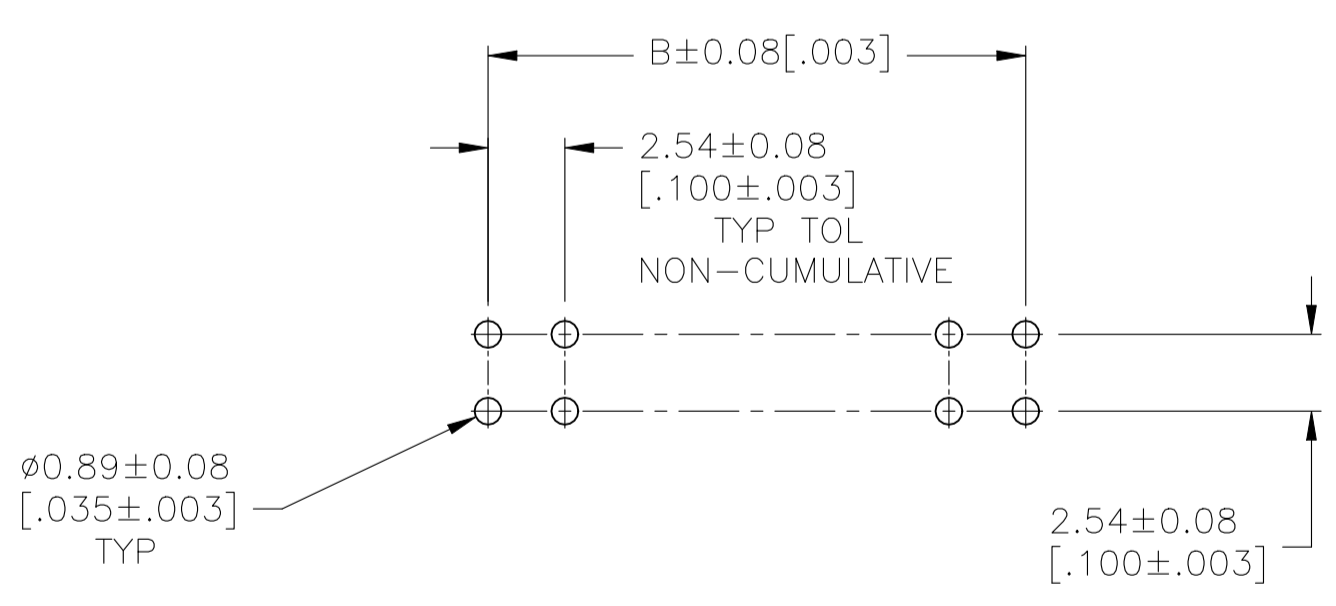


REVISIONS					
REV	DATE	DESCRIPTION	BY	CHK	APPV
A2	05FEB2024	REVISED PER ECN-24-247111	RK	CAS	



- 1 0.00076[.000030] GOLD ON CONTACT AREA, MATTE TIN ON SOLDER AREA, ALL OVER 0.00127[.000050] NICKEL.
- 2 0.00007[.000003] GOLD OVER 0.00068[.000027] Pd/Ni ON CONTACT AREA, MATTE TIN ON SOLDER AREA, ALL OVER 0.00127[.000050] NICKEL.
- 3 PRELIMINARY PART NUMBER NOT RELEASED FOR PRODUCTION.
- 4 HOUSING: FLAME RETARDANT THERMOPLASTIC
COLOR: BLACK
POSTS: PHOS. BRONZE



RECOMMENDED BOARD LAYOUT

OBSOLETE	1	NONE	NONE	2.79	[.110]	101.19	[3.984]	99.06	[3.900]	39	80	4-2267067-0
1	1	NONE	NONE	2.79	[.110]	98.65	[3.884]	96.52	[3.800]	38	78	3-2267067-9
1	1	NONE	NONE	2.79	[.110]	96.11	[3.784]	93.98	[3.700]	37	76	3-2267067-8
1	1	NONE	NONE	2.79	[.110]	93.57	[3.684]	91.44	[3.600]	36	74	3-2267067-7
1	1	NONE	NONE	2.79	[.110]	91.03	[3.584]	88.90	[3.500]	35	72	3-2267067-6
OBSOLETE	1	NONE	NONE	2.79	[.110]	88.49	[3.484]	86.36	[3.400]	34	70	3-2267067-5
1	1	NONE	NONE	2.79	[.110]	85.95	[3.384]	83.82	[3.300]	33	68	3-2267067-4
OBSOLETE	1	NONE	NONE	2.79	[.110]	83.41	[3.284]	81.28	[3.200]	32	66	3-2267067-3
OBSOLETE	1	NONE	NONE	2.79	[.110]	80.87	[3.184]	78.74	[3.100]	31	64	3-2267067-2
1	1	NONE	NONE	2.79	[.110]	78.33	[3.084]	76.20	[3.000]	30	62	3-2267067-1
OBSOLETE	1	NONE	NONE	2.79	[.110]	75.79	[2.984]	73.66	[2.900]	29	60	3-2267067-0
1	1	NONE	NONE	2.79	[.110]	73.25	[2.884]	71.12	[2.800]	28	58	2-2267067-9
OBSOLETE	1	NONE	NONE	2.79	[.110]	70.71	[2.784]	68.58	[2.700]	27	56	2-2267067-8
1	1	NONE	NONE	2.79	[.110]	68.17	[2.684]	66.04	[2.600]	26	54	2-2267067-7
1	1	NONE	NONE	2.79	[.110]	65.63	[2.584]	63.50	[2.500]	25	52	2-2267067-6
OBSOLETE	1	NONE	NONE	2.79	[.110]	63.09	[2.484]	60.96	[2.400]	24	50	2-2267067-5
1	1	NONE	NONE	2.79	[.110]	60.55	[2.384]	58.42	[2.300]	23	48	2-2267067-4
1	1	NONE	NONE	2.79	[.110]	58.01	[2.284]	55.88	[2.200]	22	46	2-2267067-3
OBSOLETE	1	NONE	NONE	2.79	[.110]	55.47	[2.184]	53.34	[2.100]	21	44	2-2267067-2
1	1	NONE	NONE	2.79	[.110]	52.93	[2.084]	50.80	[2.000]	20	42	2-2267067-1
OBSOLETE	1	NONE	NONE	2.79	[.110]	50.39	[1.984]	48.26	[1.900]	19	40	2-2267067-0
1	1	NONE	NONE	2.79	[.110]	47.85	[1.884]	45.72	[1.800]	18	38	1-2267067-9
1	1	NONE	NONE	2.79	[.110]	45.31	[1.784]	43.18	[1.700]	17	36	1-2267067-8
1	1	NONE	NONE	2.79	[.110]	42.77	[1.684]	40.64	[1.600]	16	34	1-2267067-7
1	1	NONE	NONE	2.79	[.110]	40.23	[1.584]	38.10	[1.500]	15	32	1-2267067-6
OBSOLETE	1	NONE	NONE	2.79	[.110]	37.69	[1.484]	35.56	[1.400]	14	30	1-2267067-5
OBSOLETE	1	NONE	NONE	2.79	[.110]	35.15	[1.384]	33.02	[1.300]	13	28	1-2267067-4
OBSOLETE	1	NONE	NONE	2.79	[.110]	32.61	[1.284]	30.48	[1.200]	12	26	1-2267067-3
OBSOLETE	1	NONE	NONE	2.79	[.110]	30.07	[1.184]	27.94	[1.100]	11	24	1-2267067-2
OBSOLETE	1	NONE	NONE	2.79	[.110]	27.53	[1.084]	25.40	[1.000]	10	22	1-2267067-1
OBSOLETE	1	NONE	NONE	2.79	[.110]	24.99	[.984]	22.86	[.900]	9	20	1-2267067-0
OBSOLETE	1	NONE	NONE	2.79	[.110]	22.45	[.884]	20.32	[.800]	8	18	2267067-9
OBSOLETE	1	NONE	NONE	2.79	[.110]	19.91	[.784]	17.78	[.700]	7	16	2267067-8
OBSOLETE	1	NONE	NONE	2.79	[.110]	17.37	[.684]	15.24	[.600]	6	14	2267067-7
OBSOLETE	1	NONE	NONE	2.79	[.110]	14.83	[.584]	12.70	[.500]	5	12	2267067-6
OBSOLETE	1	NONE	NONE	2.79	[.110]	12.29	[.484]	10.16	[.400]	4	10	2267067-5
OBSOLETE	1	NONE	NONE	2.79	[.110]	9.75	[.384]	7.62	[.300]	3	8	2267067-4
OBSOLETE	1	NONE	NONE	2.79	[.110]	7.21	[.284]	5.08	[.200]	2	6	2267067-3
OBSOLETE	1	NONE	NONE	2.79	[.110]	4.67	[.184]	2.54	[.100]	1	4	2267067-2
OBSOLETE	1	NONE	NONE	2.79	[.110]	2.13	[.084]	-	-	-	2	2267067-1

FINISH	ROW E	ROW D	Z	C	B	A	NO OF POSN	PART NUMBER

THIS DRAWING IS A CONTROLLED DOCUMENT.

DIN: NAGALAKSHMI K. 04FEB2014
CHK: MILLER MICHAEL 04FEB2014
APPV: MILLER MICHAEL 04FEB2014

TE Connectivity Ltd.

ASSEMBLY, MOD II, DOUBLE ROW
.100 x .100 CL, RIGHT ANGLE
WITH SPANKED TAILS


SIZE: A1
SCALE: 4:1
SHEET: 1 OF 2
REV: A2

REVISIONS				
REV	DATE	DESCRIPTION	BY	APPD
-	-	SEE SHEET 1	-	-

OBSOLETE	2	NONE	NONE	2.79	[.110]	101.19	[3.984]	99.06	[3.900]	39	80	9-2267067-0
	3	NONE	NONE	2.79	[.110]	98.65	[3.884]	96.52	[3.800]	38	78	8-2267067-9
	2	NONE	NONE	2.79	[.110]	96.11	[3.784]	93.98	[3.700]	37	76	8-2267067-8
	3	NONE	NONE	2.79	[.110]	93.57	[3.684]	91.44	[3.600]	36	74	8-2267067-7
	2	NONE	NONE	2.79	[.110]	91.03	[3.584]	88.90	[3.500]	35	72	8-2267067-6
OBSOLETE	2	NONE	NONE	2.79	[.110]	88.49	[3.484]	86.36	[3.400]	34	70	8-2267067-5
	3	NONE	NONE	2.79	[.110]	85.95	[3.384]	83.82	[3.300]	33	68	8-2267067-4
OBSOLETE	2	NONE	NONE	2.79	[.110]	83.41	[3.284]	81.28	[3.200]	32	66	8-2267067-3
OBSOLETE	2	NONE	NONE	2.79	[.110]	80.87	[3.184]	78.74	[3.100]	31	64	8-2267067-2
	3	NONE	NONE	2.79	[.110]	78.33	[3.084]	76.20	[3.000]	30	62	8-2267067-1
OBSOLETE	2	NONE	NONE	2.79	[.110]	75.79	[2.984]	73.66	[2.900]	29	60	8-2267067-0
	3	NONE	NONE	2.79	[.110]	73.25	[2.884]	71.12	[2.800]	28	58	7-2267067-9
OBSOLETE	2	NONE	NONE	2.79	[.110]	70.71	[2.784]	68.58	[2.700]	27	56	7-2267067-8
	3	NONE	NONE	2.79	[.110]	68.17	[2.684]	66.04	[2.600]	26	54	7-2267067-7
	2	NONE	NONE	2.79	[.110]	65.63	[2.584]	63.50	[2.500]	25	52	7-2267067-6
OBSOLETE	2	NONE	NONE	2.79	[.110]	63.09	[2.484]	60.96	[2.400]	24	50	7-2267067-5
	3	NONE	NONE	2.79	[.110]	60.55	[2.384]	58.42	[2.300]	23	48	7-2267067-4
	2	NONE	NONE	2.79	[.110]	58.01	[2.284]	55.88	[2.200]	22	46	7-2267067-3
OBSOLETE	2	NONE	NONE	2.79	[.110]	55.47	[2.184]	53.34	[2.100]	21	44	7-2267067-2
	3	NONE	NONE	2.79	[.110]	52.93	[2.084]	50.80	[2.000]	20	42	7-2267067-1
OBSOLETE	2	NONE	NONE	2.79	[.110]	50.39	[1.984]	48.26	[1.900]	19	40	7-2267067-0
	3	NONE	NONE	2.79	[.110]	47.85	[1.884]	45.72	[1.800]	18	38	6-2267067-9
	2	NONE	NONE	2.79	[.110]	45.31	[1.784]	43.18	[1.700]	17	36	6-2267067-8
	3	NONE	NONE	2.79	[.110]	42.77	[1.684]	40.64	[1.600]	16	34	6-2267067-7
	2	NONE	NONE	2.79	[.110]	40.23	[1.584]	38.10	[1.500]	15	32	6-2267067-6
OBSOLETE	2	NONE	NONE	2.79	[.110]	37.69	[1.484]	35.56	[1.400]	14	30	6-2267067-5
OBSOLETE	2	NONE	NONE	2.79	[.110]	35.15	[1.384]	33.02	[1.300]	13	28	6-2267067-4
OBSOLETE	2	NONE	NONE	2.79	[.110]	32.61	[1.284]	30.48	[1.200]	12	26	6-2267067-3
OBSOLETE	2	NONE	NONE	2.79	[.110]	30.07	[1.184]	27.94	[1.100]	11	24	6-2267067-2
OBSOLETE	2	NONE	NONE	2.79	[.110]	27.53	[1.084]	25.40	[1.000]	10	22	6-2267067-1
OBSOLETE	2	NONE	NONE	2.79	[.110]	24.99	[.984]	22.86	[.900]	9	20	6-2267067-0
OBSOLETE	2	NONE	NONE	2.79	[.110]	22.45	[.884]	20.32	[.800]	8	18	5-2267067-9
OBSOLETE	2	NONE	NONE	2.79	[.110]	19.91	[.784]	17.78	[.700]	7	16	5-2267067-8
OBSOLETE	2	NONE	NONE	2.79	[.110]	17.37	[.684]	15.24	[.600]	6	14	5-2267067-7
OBSOLETE	2	NONE	NONE	2.79	[.110]	14.83	[.584]	12.70	[.500]	5	12	5-2267067-6
OBSOLETE	2	NONE	NONE	2.79	[.110]	12.29	[.484]	10.16	[.400]	4	10	5-2267067-5
OBSOLETE	2	NONE	NONE	2.79	[.110]	9.75	[.384]	7.62	[.300]	3	8	5-2267067-4
OBSOLETE	2	NONE	NONE	2.79	[.110]	7.21	[.284]	5.08	[.200]	2	6	5-2267067-3
OBSOLETE	2	NONE	NONE	2.79	[.110]	4.67	[.184]	2.54	[.100]	1	4	5-2267067-2
OBSOLETE	2	NONE	NONE	2.79	[.110]	2.13	[.084]	-	-	-	2	5-2267067-1

FINISH	ROW E	ROW D	Z	C	B	A	NO OF POSN	PART NUMBER

POSTS OMITTED

THIS DRAWING IS A CONTROLLED DOCUMENT.		DIN NAGALAKSHMI, K.	04FEB2014	 TE Connectivity Ltd.
DIMENSIONS: mm [INCHES]		CHK MILLER, MICHAEL	04FEB2014	
TOLERANCES UNLESS OTHERWISE SPECIFIED:		APPD MILLER, MICHAEL	04FEB2014	NAME ASSEMBLY, MOD II, DOUBLE ROW .100 x .100 CL, RIGHT ANGLE WITH SPANKED TAILS
0. PLC ± - 1. PLC ± - 2. PLC ± 0.13 [.005] 3. PLC ± - 4. PLC ± - ANGLES ± -		PRODUCT SPEC APPLICATION SPEC		
MATERIAL		FINISH	WEIGHT	SIZE A1
				CUSTOMER DRAWING SCALE 4:1 SHEET 2 OF 2 REV A2