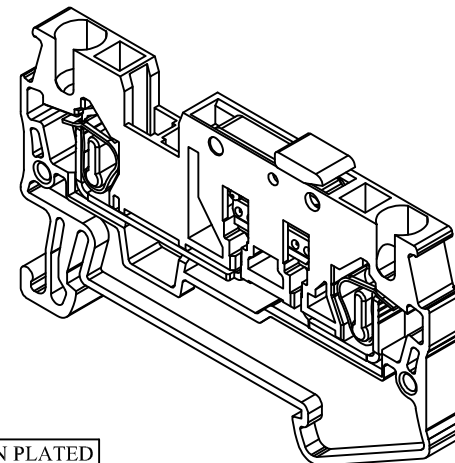
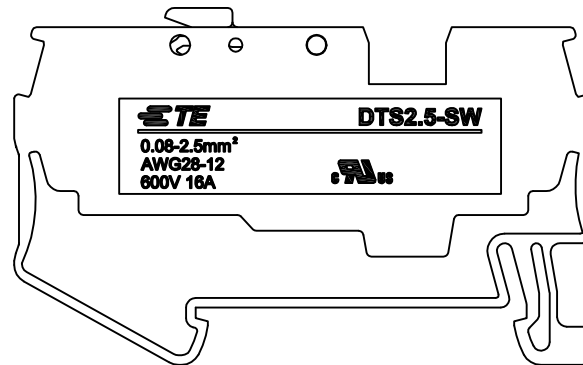
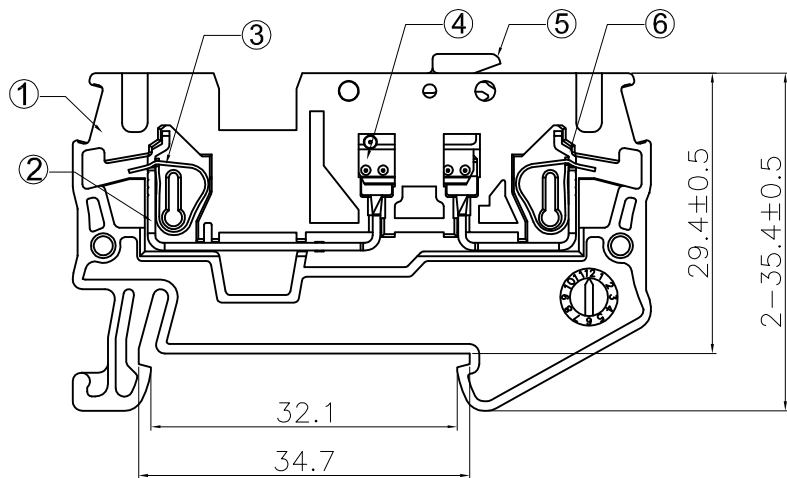
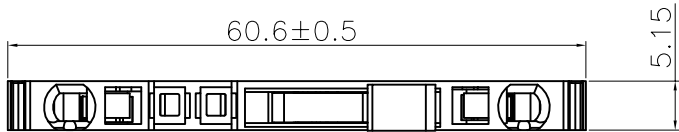


THIS DRAWING IS UNPUBLISHED. RELEASED FOR PUBLICATION
 © COPYRIGHT - By - ALL RIGHTS RESERVED.

REVISIONS				
P	LTR	DESCRIPTION	DATE	APVD
A		OFFICIAL VERSION RELEASE	18DEC2015	F.Y X.X
A1		PER ECR-16-006247	16JUN2016	F.Y X.X



NOTE:

1. Material: See Table
2. Rated current & voltage : 16Amp 600V
3. Rated surge voltage: 6KV
4. Operation temperature : -40°C to +105°C
5. Wire strip length: 8mm -10mm
6. Suitable wire size : 28 - 12 AWG
7. Requirement for environmental substance must be compliance with ROHS and REACH.
8. Recommended support rail requirements refer to 114 application specification.

ITEM	COMPONENTS	MATERIAL	Q'TY	PLATING
6	TERMINAL 3	COPPER	1	TIN PLATED
5	INSULATING BODY	THERMOPLASTIC	1	
4	TERMINAL 2	COPPER ALLOY	1	TIN PLATED
3	SPRING CLAMP	STAINLESS STEEL	2	
2	TERMINAL 1	COPPER	1	TIN PLATED
1	HOUSING	THERMOPLASTIC	1	
ITEM	COMPONENTS	MATERIAL	Q'TY	PLATING

DTS2.5-SW	2271577-2	BLUE
TE SERIES No.	PART NUMBER	COLOR
	2271577-1	GRAY

THIS DRAWING IS A CONTROLLED DOCUMENT.		DWN FENCER YU 16JUN2016	TE Connectivity	
		CHK KOBBY ZHAO 16JUN2016		
DIMENSIONS: mm 		APVD XIANG XU 16JUN2016	NAME	
TOLERANCES UNLESS OTHERWISE SPECIFIED: 0 PLC ± 0.50 1 PLC ± 0.40 2 PLC ± 0.30 3 PLC ± - 4 PLC ± - ANGLES ± 3°		PRODUCT SPEC 108-137138	2.5mm ² WIRE 1 IN 1 OUT SPRING CLAMP TYPE TERMINAL BLOCK WITH SWITCH FUNCTION	
MATERIAL -		APPLICATION SPEC 114-137138	SIZE A3	CAGE CODE 00779
FINISH -		WEIGHT 6.47 g	DRAWING NO C=2271577	RESTRICTED TO -
CUSTOMER DRAWING			SCALE 1:1	SHEET 1 OF 1
			REV A1	