

4

3

2

1

THIS DRAWING IS UNPUBLISHED.

RELEASED FOR PUBLICATION

ALL RIGHTS RESERVED.

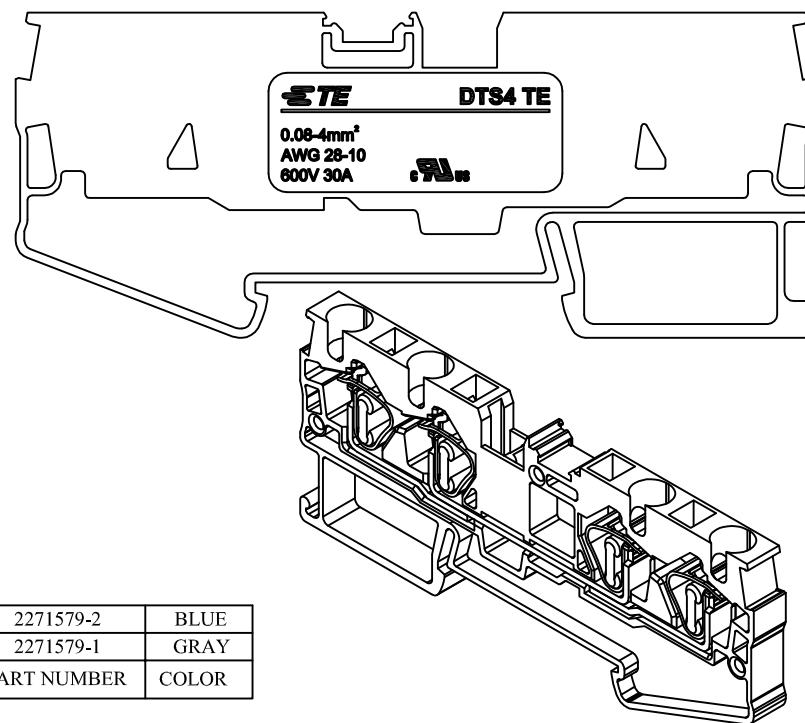
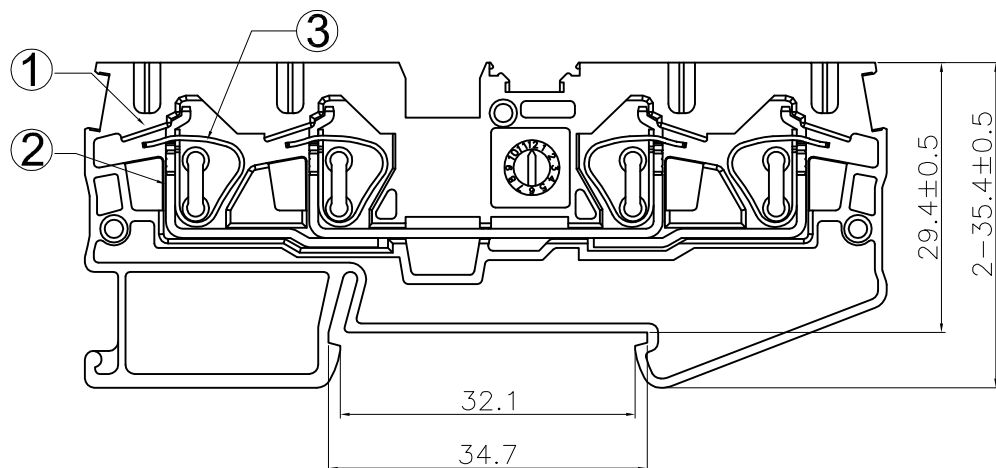
© COPYRIGHT - By -

## REVISIONS

P	LTR	DESCRIPTION	DATE	DWN	APVD
	A	OFFICIAL VERSION RELEASE	18DEC2015	F.Y	X.X
	A1	PER ECR-16-006247	16JUN2016	F.Y	X.X

87.3±0.5

6.15



## NOTE:

1. Material: See Table
2. Rated current & voltage : 30Amp 600V
3. Rated surge voltage: 8KV
4. Operation temperature : -40°C to +105°C
5. Wire strip length: 8mm -10mm
6. Suitable wire size : 28 - 10 AWG
7. Requirement for environmental substance must be compliance with ROHS and REACH.
8. Recommended support rail requirements refer to 114 application specification.

DTS4 TE	2271579-2	BLUE
	2271579-1	GRAY
TE SERIES No.	PART NUMBER	COLOR

ITEM	COMPONENTS	MATERIAL	Q'TY	PLATING
3	SPRING CLAMP	STAINLESS STEEL	4	
2	TERMINAL	COPPER	1	TIN PLATED
1	HOUSING	THERMOPLASTIC	1	

THIS DRAWING IS A CONTROLLED DOCUMENT.		DWN FENCER YU 16JUN2016	TE Connectivity	
		CHK KOBBY ZHAO 16JUN2016		
DIMENSIONS: mm		APVD XIANG XU 16JUN2016	NAME 4mm <sup>2</sup> WIRE 2 IN 2 OUT SPRING CLAMP TYPE TERMINAL BLOCK	
		PRODUCT SPEC 108-137138		
TOLERANCES UNLESS OTHERWISE SPECIFIED:		APPLICATION SPEC 114-137138		
MATERIAL		WEIGHT 16.1g	SIZE A3	CAGE CODE 00779
FINISH		CUSTOMER DRAWING	DRAWING NO C=2271579	RESTRICTED TO -
		SCALE 1:1	SHEET 1 OF 1	REV A1