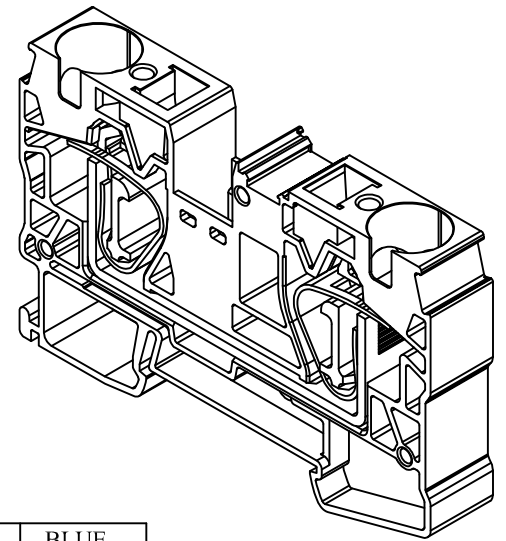
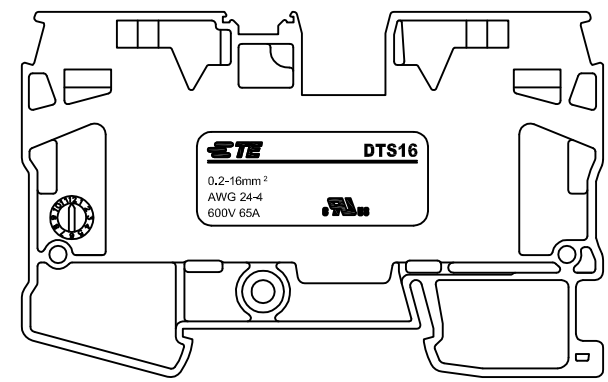
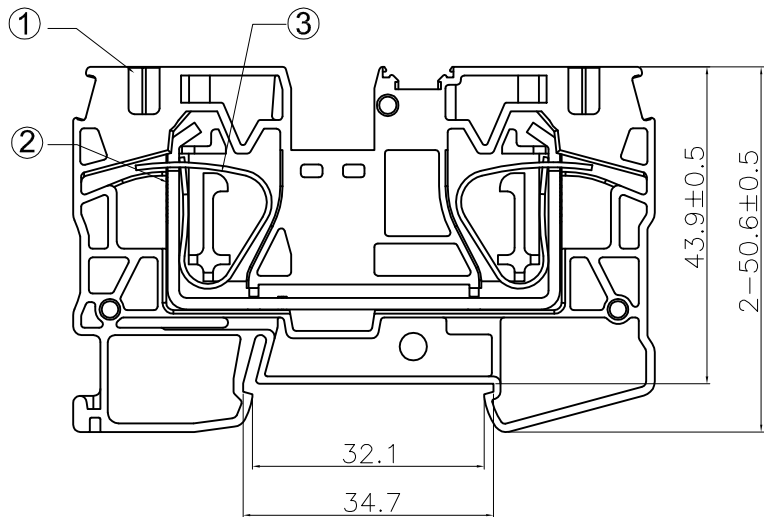


THIS DRAWING IS UNPUBLISHED. RELEASED FOR PUBLICATION
 © COPYRIGHT - By - ALL RIGHTS RESERVED.

REVISIONS					
P	LTR	DESCRIPTION	DATE	DWN	APVD
A		OFFICIAL VERSION RELEASE	18DEC2015	F.Y	X.X
A1		PER ECR-16-006247	16JUN2016	F.Y	X.X



ITEM	COMPONENTS	MATERIAL	Q'TY	PLATING
3	SPRING CLAMP	STAINLESS STEEL	2	
2	TERMINAL	COPPER	1	TIN PLATED
1	HOUSING	THERMOPLASTIC	1	



DTS16	2271591-2	BLUE
	2271591-1	GRAY
TE SERIES No.	PART NUMBER	COLOR

- NOTE:**
1. Material: See Table
 2. Rated current & voltage : 65Amp 600V
 3. Rated surge voltage: 8KV
 4. Operation temperature : -40°C to +105°C
 5. Wire strip length: 16mm -18mm
 6. Suitable wire size : 24 - 4AWG
 7. Requirement for environmental substance must be compliance with ROHS and REACH.
 8. Recommended support rail requirements refer to 114 application specification.

THIS DRAWING IS A CONTROLLED DOCUMENT.		DWN FENCER YU 16JUN2016	TE Connectivity		
		CHK KOBBY ZHAO 16JUN2016			
DIMENSIONS: mm		APVD XIANG XU 16JUN2016	NAME 16mm ² WIRE 1 IN 1 OUT SPRING CLAMP TYPE TERMINAL BLOCK		
		PRODUCT SPEC 108-137138	SIZE A3		
TOLERANCES UNLESS OTHERWISE SPECIFIED: 0 PLC ± 0.50 1 PLC ± 0.40 2 PLC ± 0.30 3 PLC ± - 4 PLC ± - ANGLES ± 3°		APPLICATION SPEC 114-137138	CAGE CODE 00779	DRAWING NO C=2271591	RESTRICTED TO -
MATERIAL -	FINISH -	WEIGHT 34.44 g	CUSTOMER DRAWING		
			SCALE 1:1	SHEET 1 OF 1	REV A1