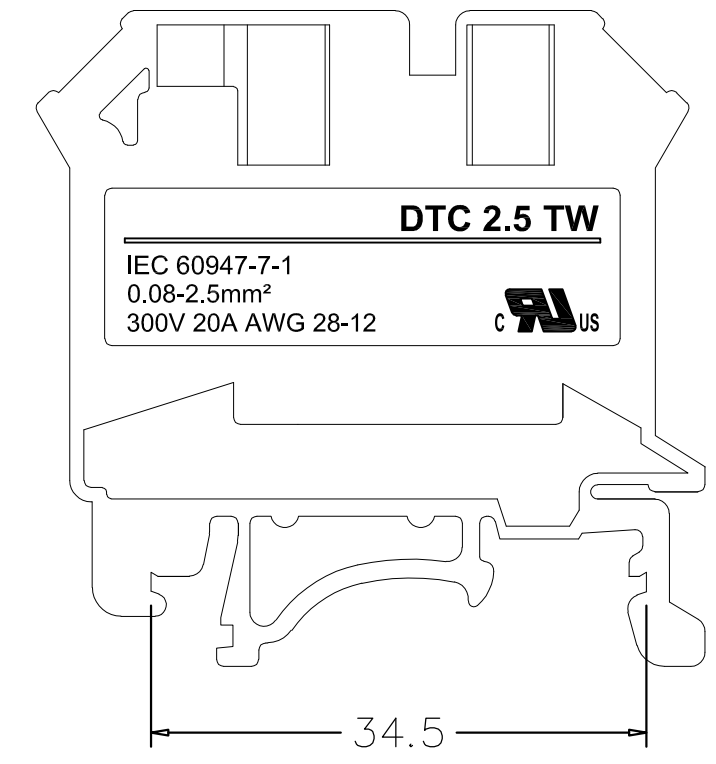
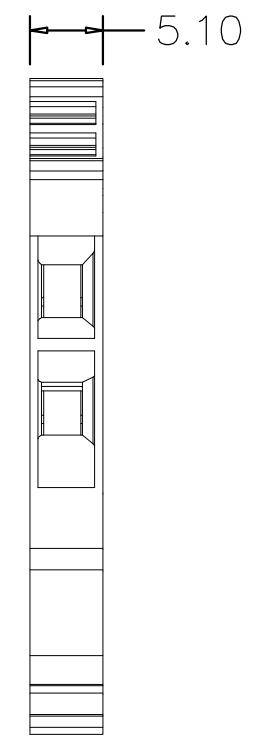
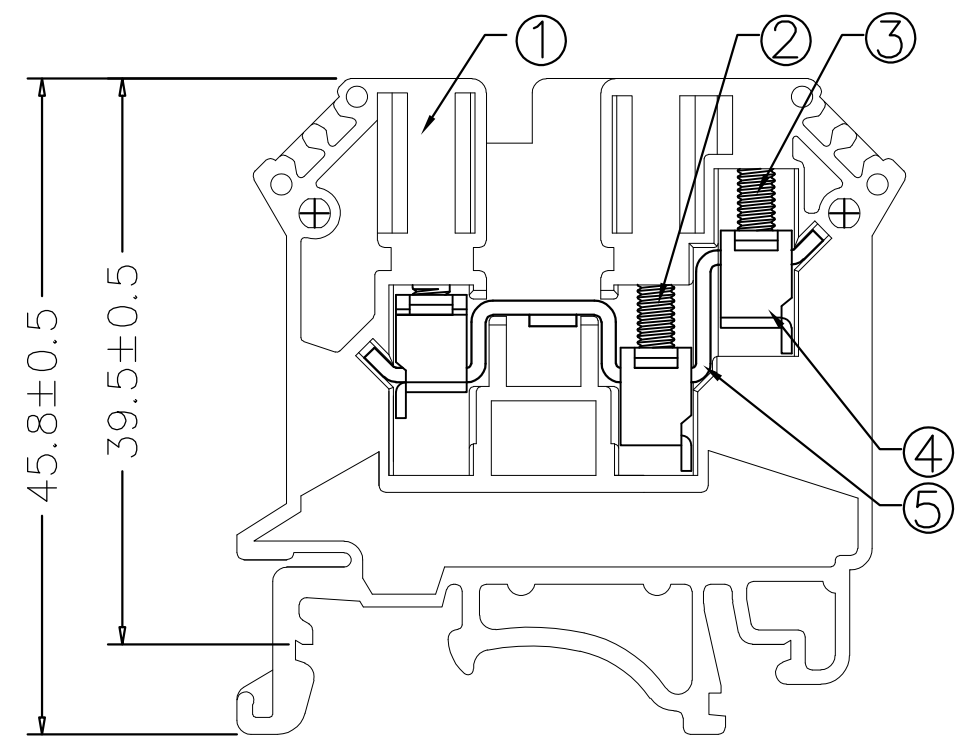
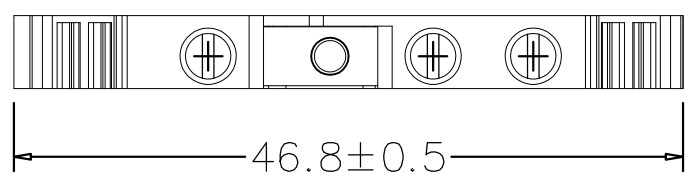


THIS DRAWING IS UNPUBLISHED. RELEASED FOR PUBLICATION
 © COPYRIGHT - By - ALL RIGHTS RESERVED.

REVISIONS					
P	LTR	DESCRIPTION	DATE	DWN	APVD
	A1	PER ECR-17-007805	7JUL2017	F.Y	C.W



NOTES:

1. Material: See table
2. Rated current & voltage : (UL)20Amp 300V , (IEC)24Amp 400V
3. Impulse withstand voltage: 6KV
4. Screw Size & torque: M2.6, 4-4.5 lbs-in(0.46-0.52Nm)
5. Wire strip length: 8-10mm
6. Suitable wire size : (UL)28 - 12 AWG , (IEC)0.08-2.5mm²
7. Requirement for environmental substance must be compliance with ROHS and REACH.

ITEM	COMPONENTS	MATERIAL	Q'TY	PLATING
5	TERMINAL	COPPER ALLOY	1	Tin Plated
4	CLAMP	STEEL	3	Zinc Plated
3	SCREW2	STEEL	1	Zinc Plated
2	SCREW1	STEEL	2	Zinc Plated
1	HOUSING	THERMOPLASTIC	1	

TE SERIES No.	PART NUMBER	COLOR
	2271678-5	BLACK
	2271678-4	ORANGE
	2271678-3	RED
	2271678-2	BLUE
	2271678-1	GRAY

THIS DRAWING IS A CONTROLLED DOCUMENT.		DWN FENCER YU 7JUL2017	TE Connectivity		
DIMENSIONS: mm		CHK CHRIS WANG 7JUL2017			
TOLERANCES UNLESS OTHERWISE SPECIFIED:		APVD CHRIS WANG 7JUL2017	NAME 2.5MM ² WIRE SECTION 1 IN 2 OUT SCREW TYPE TERMINAL BLOCK		
0 PLC ± 0.50 1 PLC ± 0.40 2 PLC ± 0.30 3 PLC ± - 4 PLC ± - ANGLES ± 3°		PRODUCT SPEC 108-137172	RESTRICTED TO		
MATERIAL SEE TABLE		FINISH -	APPLICATION SPEC 114-137172	SIZE A3	CAGE CODE 00779
		WEIGHT 9.28 g	DRAWING NO C-2271678	SCALE 1:1	
CUSTOMER DRAWING			SHEET 1 OF 1		REV A1