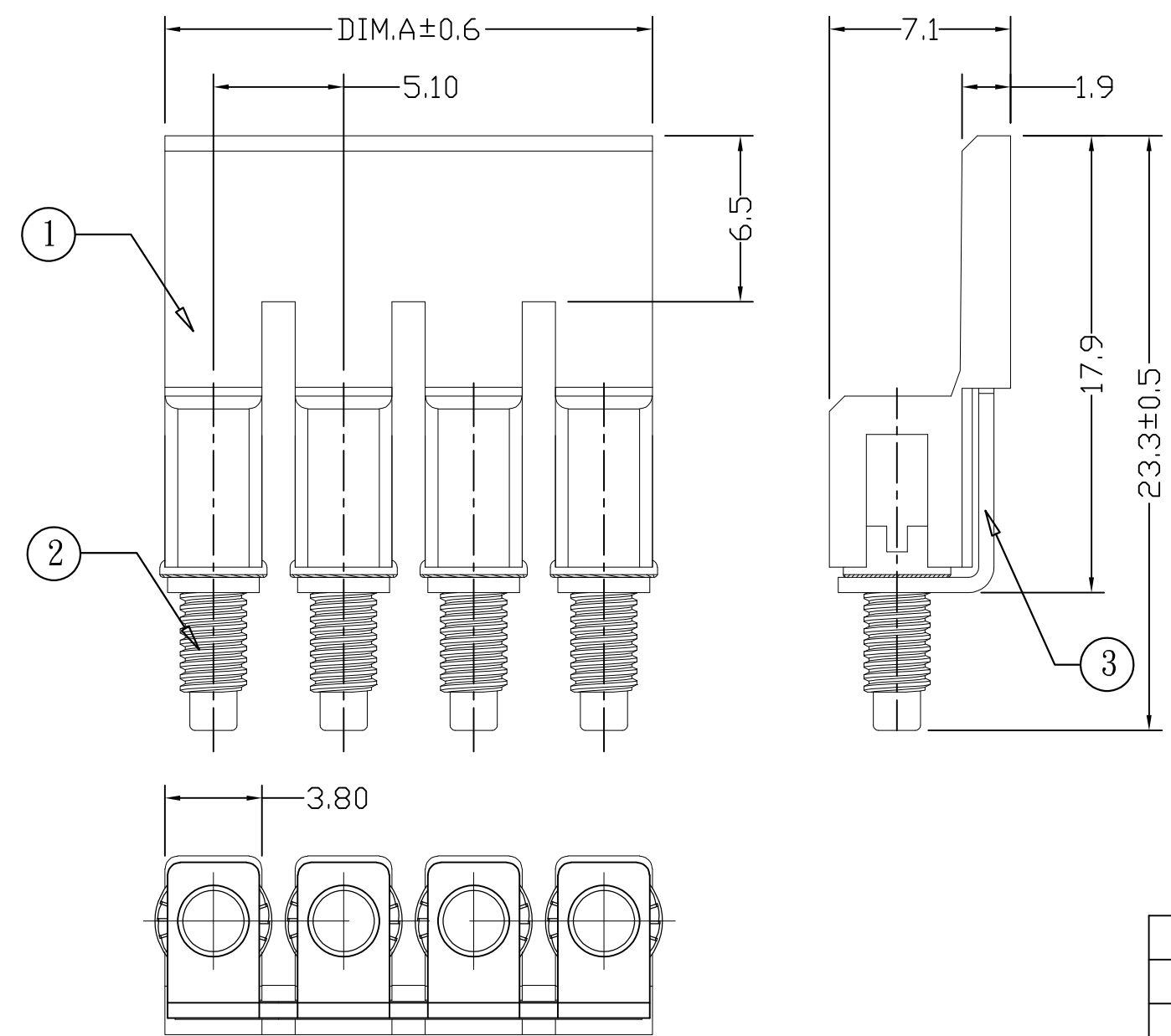


THIS DRAWING IS UNPUBLISHED. RELEASED FOR PUBLICATION  
 © COPYRIGHT - By - ALL RIGHTS RESERVED.

| REVISIONS |     |                          |           |         |
|-----------|-----|--------------------------|-----------|---------|
| P         | LTR | DESCRIPTION              | DATE      | APVD    |
|           | A   | OFFICIAL VERSION RELEASE | 25DEC2016 | F.Y X.X |



- NOTES:**
1. MATERIAL:SEE TABLE
  2. SCREW SIZE AND TORQUE:M2.6 , 3.5-6 lbs-in
  3. APPLICABLE TO PRODUCT SERIES:2.5mm<sup>2</sup> SERIES;
  4. CONTINUOUS CURRENT: 32A/32A
  5. REQUIREMENT FOR ENVIRONMENTAL SUBSTANCES MUST BE COMPLIANCE WITH ROHS AND REACH.

| ITEM | COMPONENTS     | MATERIAL      | Q'TY              | PLATING     |
|------|----------------|---------------|-------------------|-------------|
| 3    | TERMINAL       | COPPER        | 1                 | Tin Plated  |
| 2    | MOUNTING SCREW | STEEL         | N(poles)=2,3,4,10 | ZINC Plated |
| 1    | HOUSING        | THERMOPLASTIC | 1                 |             |

| TE SERIES No. | PART NUMBER | POLES(N) | DIM. A |
|---------------|-------------|----------|--------|
| TFBC 10-5     | 2271718-4   | 10       | 49.7   |
| TFBC 4-5      | 2271718-3   | 4        | 19.1   |
| TFBC 3-5      | 2271718-2   | 3        | 14.0   |
| TFBC 2-5      | 2271718-1   | 2        | 8.9    |

|  |  |                          |   |                      |
|--|--|--------------------------|---|----------------------|
| THIS DRAWING IS A CONTROLLED DOCUMENT.   |  | DWN FENCER YU 25DEC2016  | TE Connectivity   |                      |
| DIMENSIONS: mm<br>   |  | CHK KOBBY ZHAO 25DEC2016 |   |                      |
| TOLERANCES UNLESS OTHERWISE SPECIFIED:<br>0 PLC ± -<br>1 PLC ± 0.50<br>2 PLC ± 0.40<br>3 PLC ± 0.30<br>4 PLC ± -<br>ANGLES ± - |  | APVD XIANG XU 25DEC2016  | NAME  |                      |
| MATERIAL -   |  | FINISH -                 | PRODUCT SPEC -<br>APPLICATION SPEC 114-137172<br>WEIGHT 8.1 g |                      |
| CUSTOMER DRAWING   |  |                          | SIZE A3   | RESTRICTED TO -      |
|  |  |                          | CAGE CODE 00779   | DRAWING NO C-2271718 |
|  |  |                          | SCALE 1:1   | SHEET 1 OF 1         |
|  |  |                          |   | REV A                |