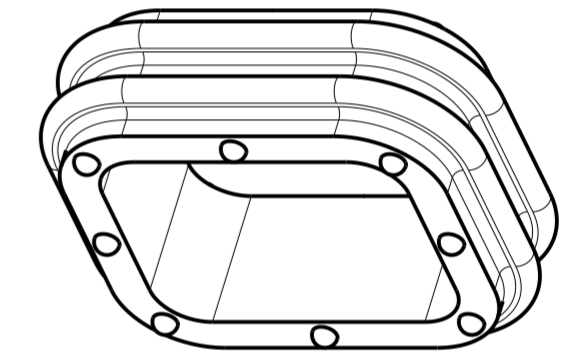
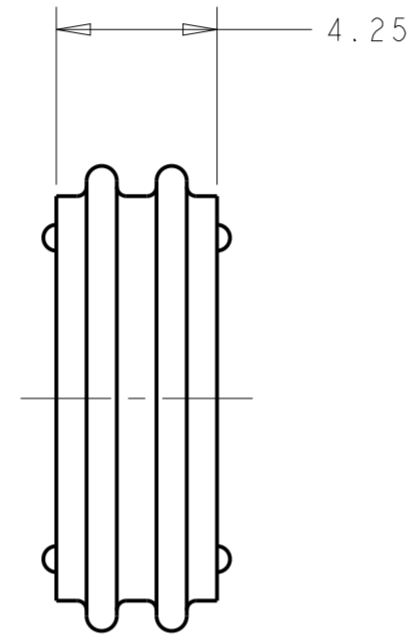
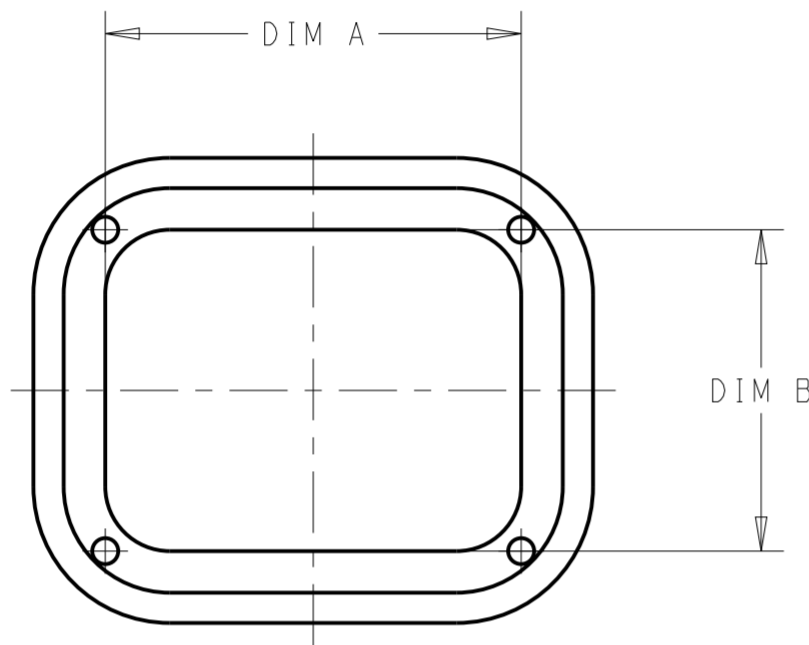


THIS DRAWING IS UNPUBLISHED. RELEASED FOR PUBLICATION 2013
 © COPYRIGHT 2013 BY Tyco Electronics AMP GmbH ALL RIGHTS RESERVED.

REVISIONS					
P	LTR	DESCRIPTION	DATE	DWN	APVD
	A	INITIAL RELEASE	10JAN2014	DR	RB


NOTES:

- 1. MATERIAL:
SILICONE RUBBER,
P/N AND COLOR: SEE TABLE



SCALE 5:1

776437-1,2,3,4 776533-1,2,3,4	TAN	12.8	23.2	12 POSN 2 ROW	2272179-6
776494-1,2,3,4 776532-1,2,3,4	TAN	12.8	16.0	8 POSN 2 ROW	2272179-5
776433-1,2,3 776531-1,2,3	BLUE	12.8	12.8	6 POSN 2 ROW	2272179-4
776487-1,2,3,4 776524-1,2,3,4	TAN	9.4	12.8	4 POSN 2 ROW	2272179-3
776429-1,2,3,4 776523-1,2,3,4	TAN	6.8	12.4	3 POSN 1 ROW	2272179-2
776427-1,2,3,4 776522-1,2,3,4	BLUE	6.8	8.8	2 POSN 1 ROW	2272179-1
WHERE USED	COLOR/CODE	DIM B	DIM A	DESCRIPTION	PART NUMBER

THIS DRAWING IS A CONTROLLED DOCUMENT.		DWN D. RAJASHEKAR 28NOV2013	 TE Connectivity	
DIMENSIONS: MM		CHK R. BALTER 29NOV2013		
TOLERANCES UNLESS OTHERWISE SPECIFIED:		APVD D. KLEIN 29NOV2013	NAME PERIPHERAL SEAL, AMPSEAL 16 CONNECTOR	
0 PLC ± 1 PLC ±0.2 2 PLC ±0.15 3 PLC ± 4 PLC ± ANGLES ± FINISH ±		PRODUCT SPEC 108-2184	RESTRICTED TO	
MATERIAL		APPLICATION SPEC 114-13065	SIZE A200779	DRAWING NO C-2272179
		WEIGHT	SCALE 5:1	SHEET 1 OF 1
		CUSTOMER DRAWING	REV A	