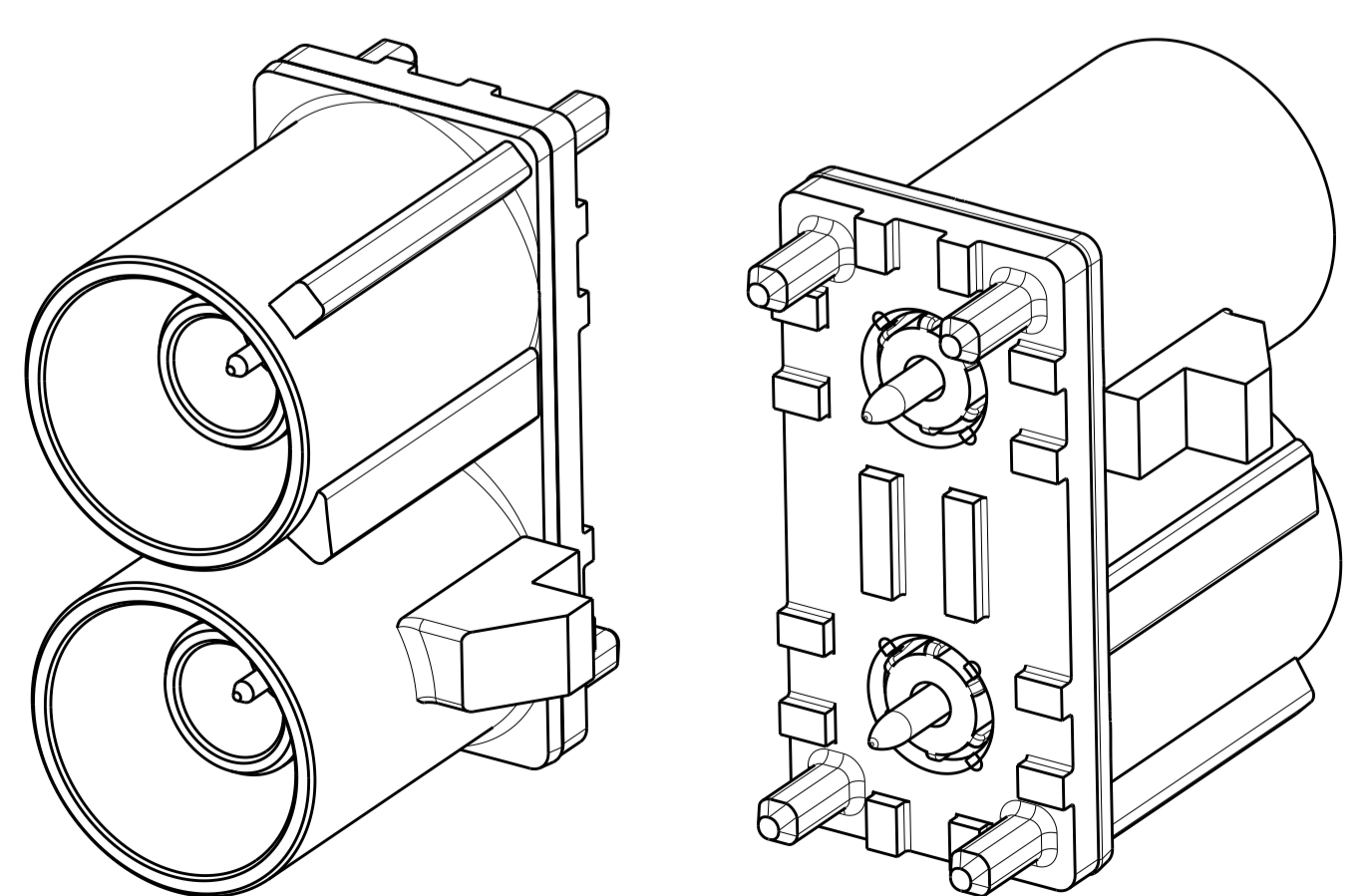
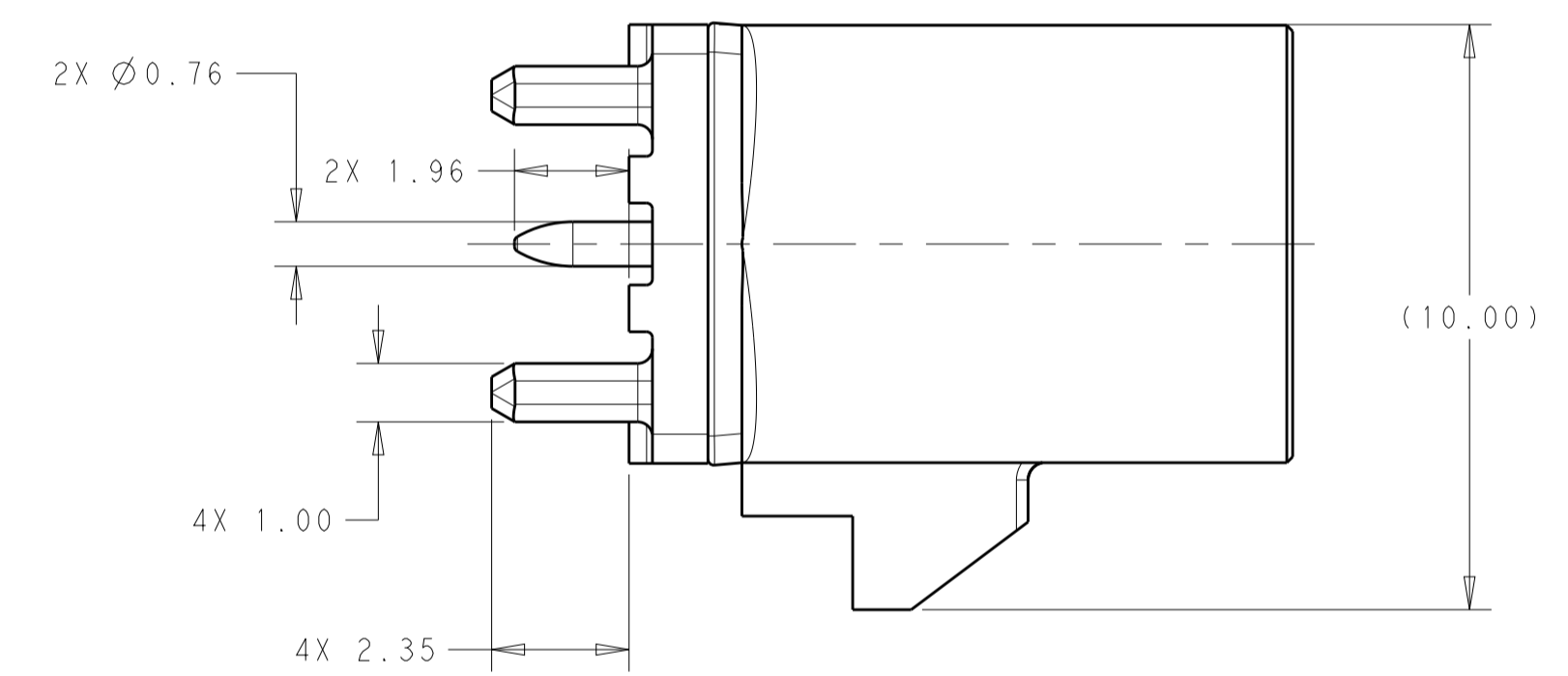
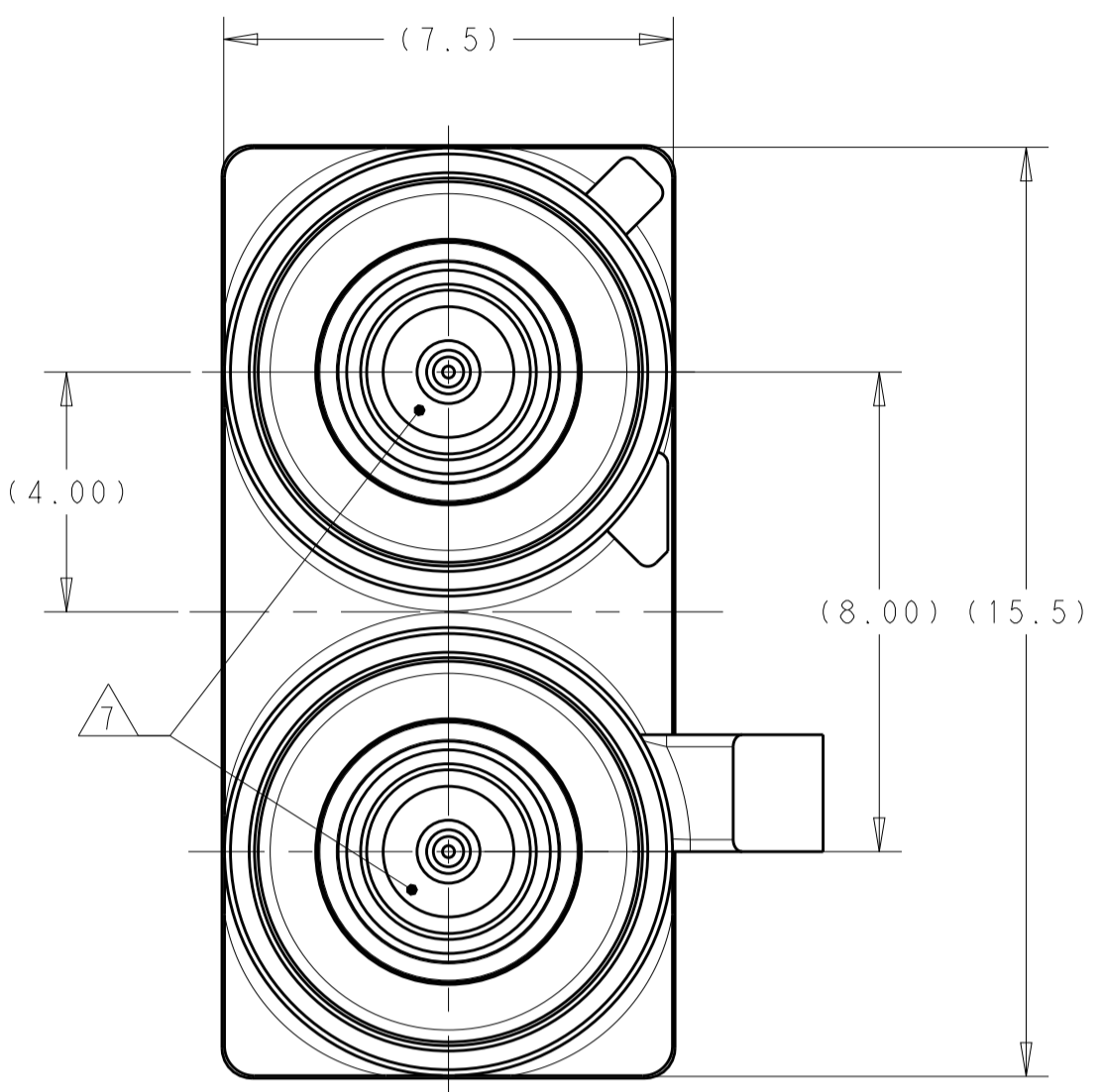
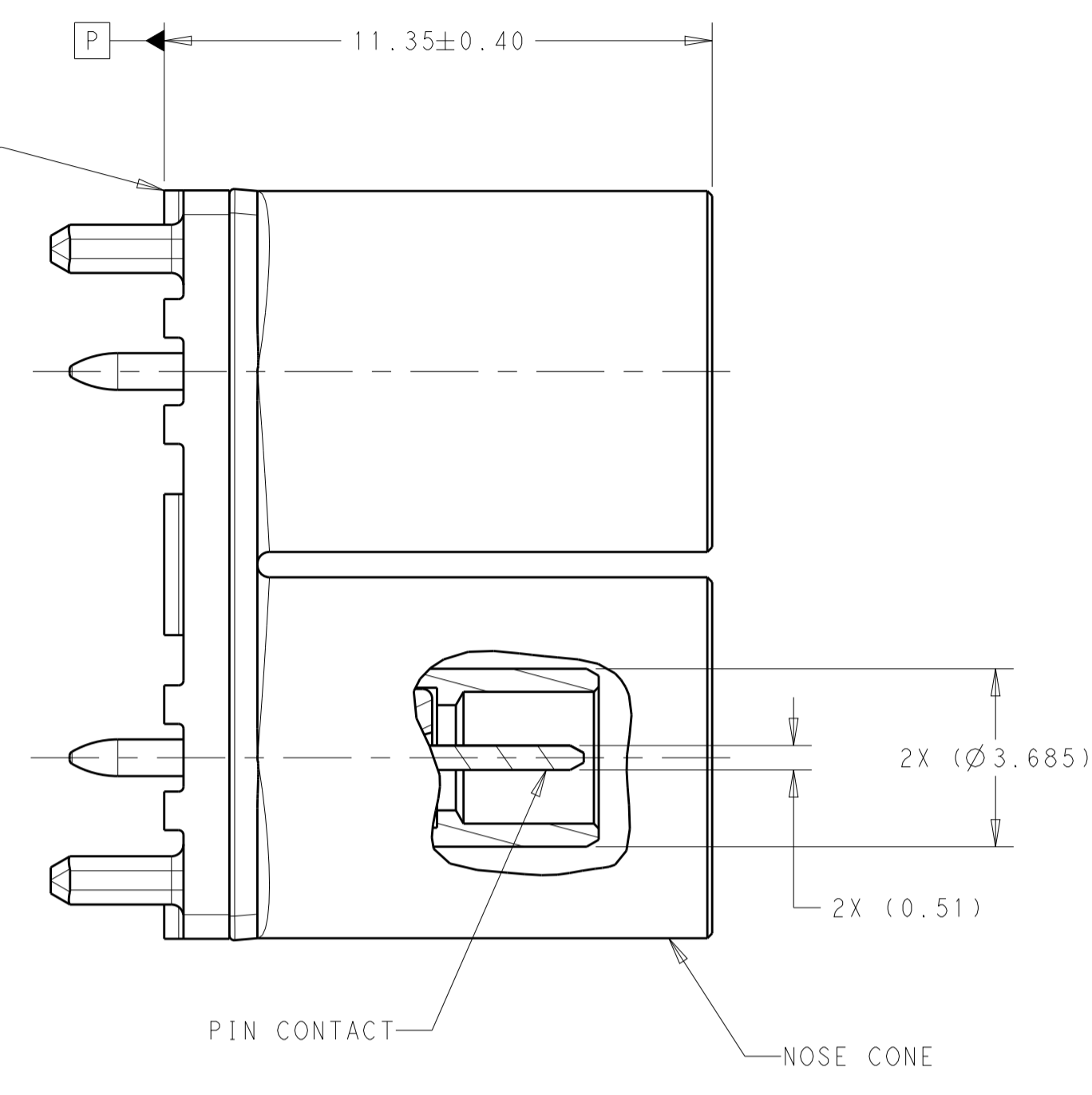
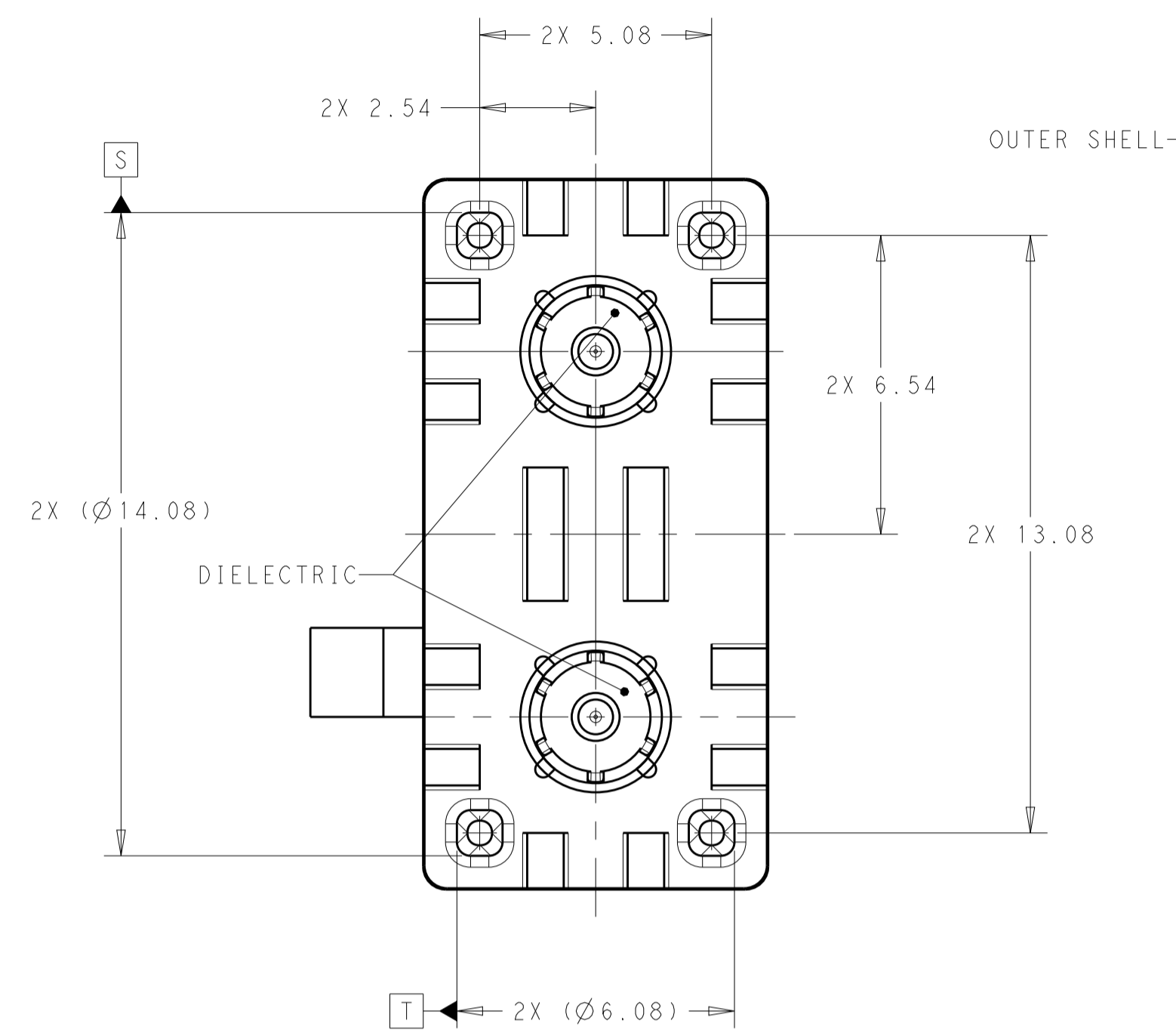
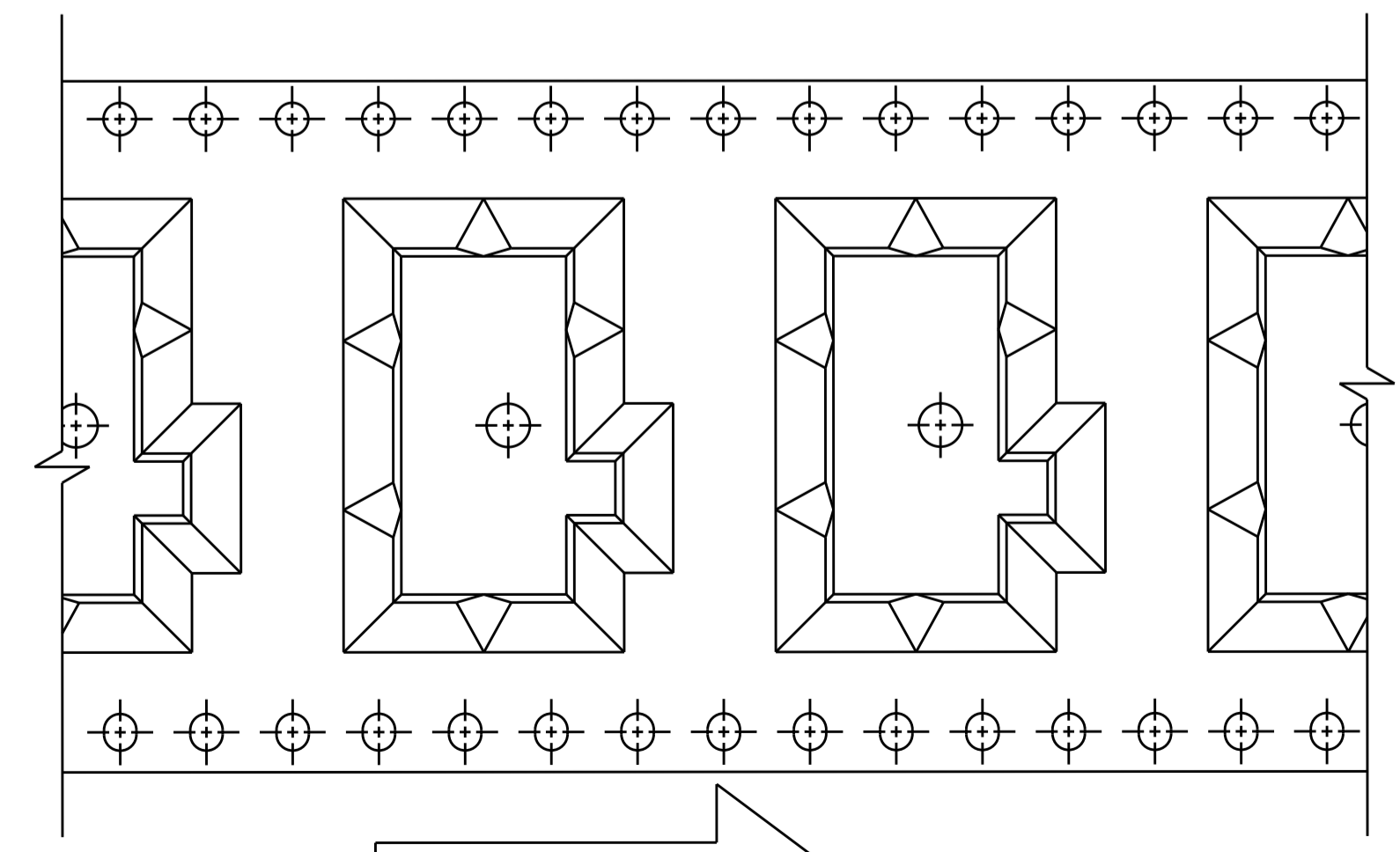


LOC		DIST		REVISIONS			
IN	00	P	LTN	DESCRIPTION	DATE	OWN	APVD
		C1		ECO-20-000275	27JAN2020	KP	MB



ISOMETRIC VIEWS  
SCALE 6:1



△ DIRECTION OF UNREELING

- 1 NOSE CONE - NYLON, COLOR: SEE TABLE, 25% GLASS FILLED.  
DIELECTRIC - POLYESTER PCT, NATURAL, 30% GLASS FILLED.  
PIN CONTACT - BRASS.  
OUTER SHELL - ZINC.
- 2 PIN CONTACT - 0.38µm MIN GOLD ON INTERFACE END, 2.5µm MIN TIN ON SOLDER END,  
BOTH OVER 1.3µm MIN NICKEL.  
OUTER SHELL - 2.0µm MIN TIN OVER 1.52µm MIN NICKEL,  
BOTH OVER 2.54µm MIN COPPER.
- 3 REMOVED
- 4 MINIMUM SIGNAL PAD FOR SOLDER.
- 5 MINIMUM RECOMMENDED GROUND PLANE.
- 6 SIGNAL DIMENSION TRACE RECOMMENDED FOR OPTIMUM SIGNAL PERFORMANCE.
- 7 MALE INTERFACE PER ISO-20860-1, ROAD VEHICLES 50 Ohm RADIO FREQUENCY INTERFACE.
- 8 REELING VIEW FOR REFERENCE ONLY TO SHOW UNREELING DIRECTION

△ 2	TAPE AND REEL	PER DETAIL Z	WATER BLUE	Z	7-2272788-0
		PER DETAIL N	PASTEL GREEN	N	6-2272788-3
		PER DETAIL M	PASTEL ORANGE	M	6-2272788-2
		PER DETAIL L	CARMINE RED	L	6-2272788-1
		PER DETAIL K	CURRY	K	6-2272788-0
		PER DETAIL I	BEIGE	I	5-2272788-9
		PER DETAIL H	HEATHER VIOLE	H	5-2272788-8
		PER DETAIL G	BLUE GREY	G	5-2272788-7
		PER DETAIL F	NUT BROWN	F	5-2272788-6
		PER DETAIL E	LEAF GREEN	E	5-2272788-5
		PER DETAIL D	CLARET VIOLET	D	5-2272788-4
		PER DETAIL C	SIGNAL BLUE	C	5-2272788-3
		PER DETAIL B	CREAM	B	5-2272788-2
		PER DETAIL A	JET BLACK	A	5-2272788-1
△ 2	TRAY	PER DETAIL Z	WATER BLUE	Z	2-2272788-0
		PER DETAIL N	PASTEL GREEN	N	1-2272788-3
		PER DETAIL M	PASTEL ORANGE	M	1-2272788-2
		PER DETAIL L	CARMINE RED	L	1-2272788-1
		PER DETAIL K	CURRY	K	1-2272788-0
		PER DETAIL I	BEIGE	I	2272788-9
		PER DETAIL H	HEATHER VIOLE	H	2272788-8
		PER DETAIL G	BLUE GREY	G	2272788-7
		PER DETAIL F	NUT BROWN	F	2272788-6
		PER DETAIL E	LEAF GREEN	E	2272788-5
		PER DETAIL D	CLARET VIOLET	D	2272788-4
		PER DETAIL C	SIGNAL BLUE	C	2272788-3
		PER DETAIL B	CREAM	B	2272788-2
		PER DETAIL A	JET BLACK	A	2272788-1

FINISH	PACKAGING	CODING	NOSE CONE COLOR	CODING REF	PART NUMBER

THIS DRAWING IS A CONTROLLED DOCUMENT. DWG: R. PETERSON 30MAY2014  
 CHK: D. J. LANE 30MAY2014  
 APVD: D. J. LANE 30MAY2014

DIMENSIONS: mm  
 TOLERANCES UNLESS OTHERWISE SPECIFIED:  
 0 PLC ±  
 1 PLC ±0.2  
 2 PLC ±0.08  
 3 PLC ±  
 4 PLC ±  
 ANGLES °

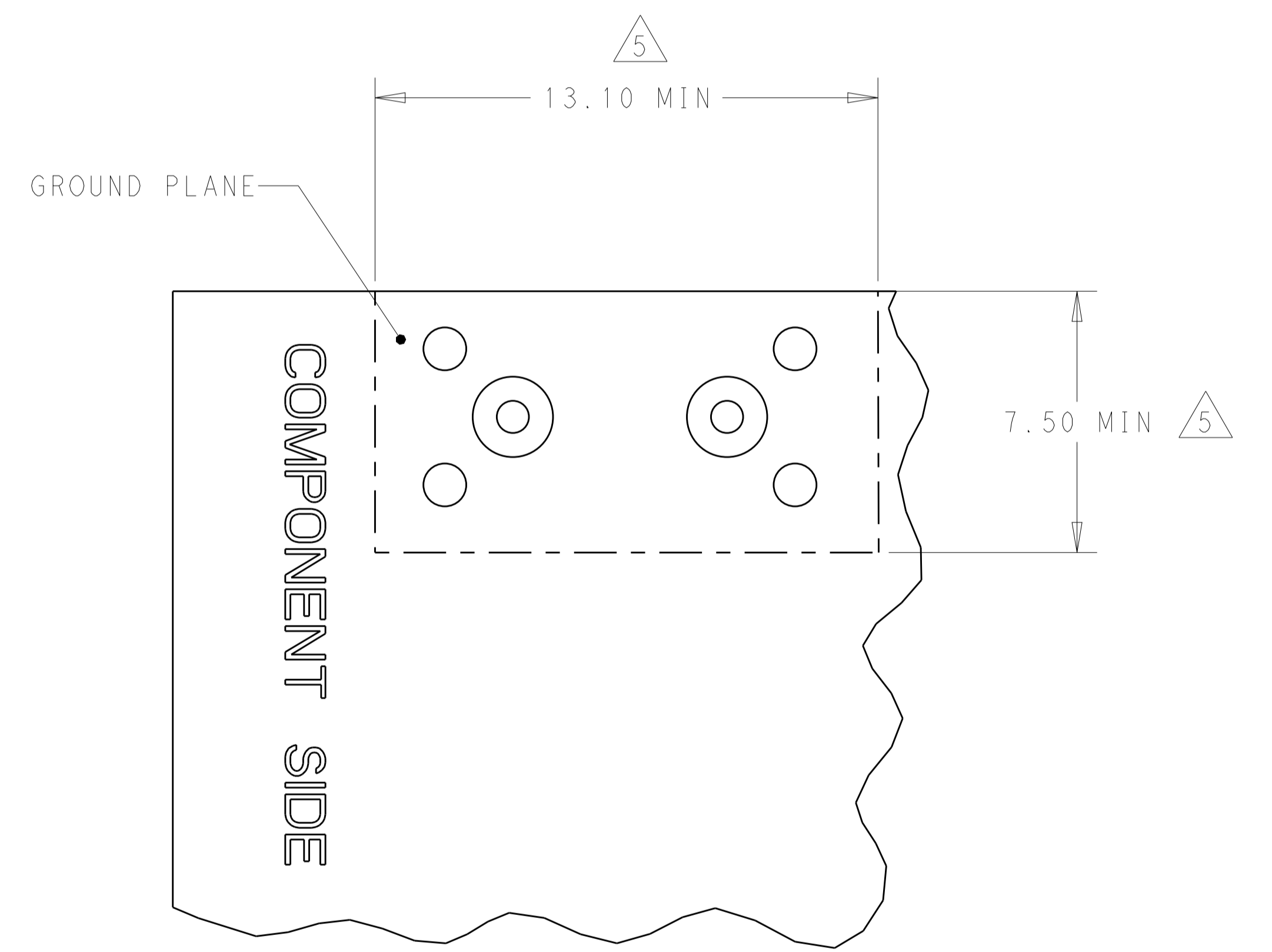
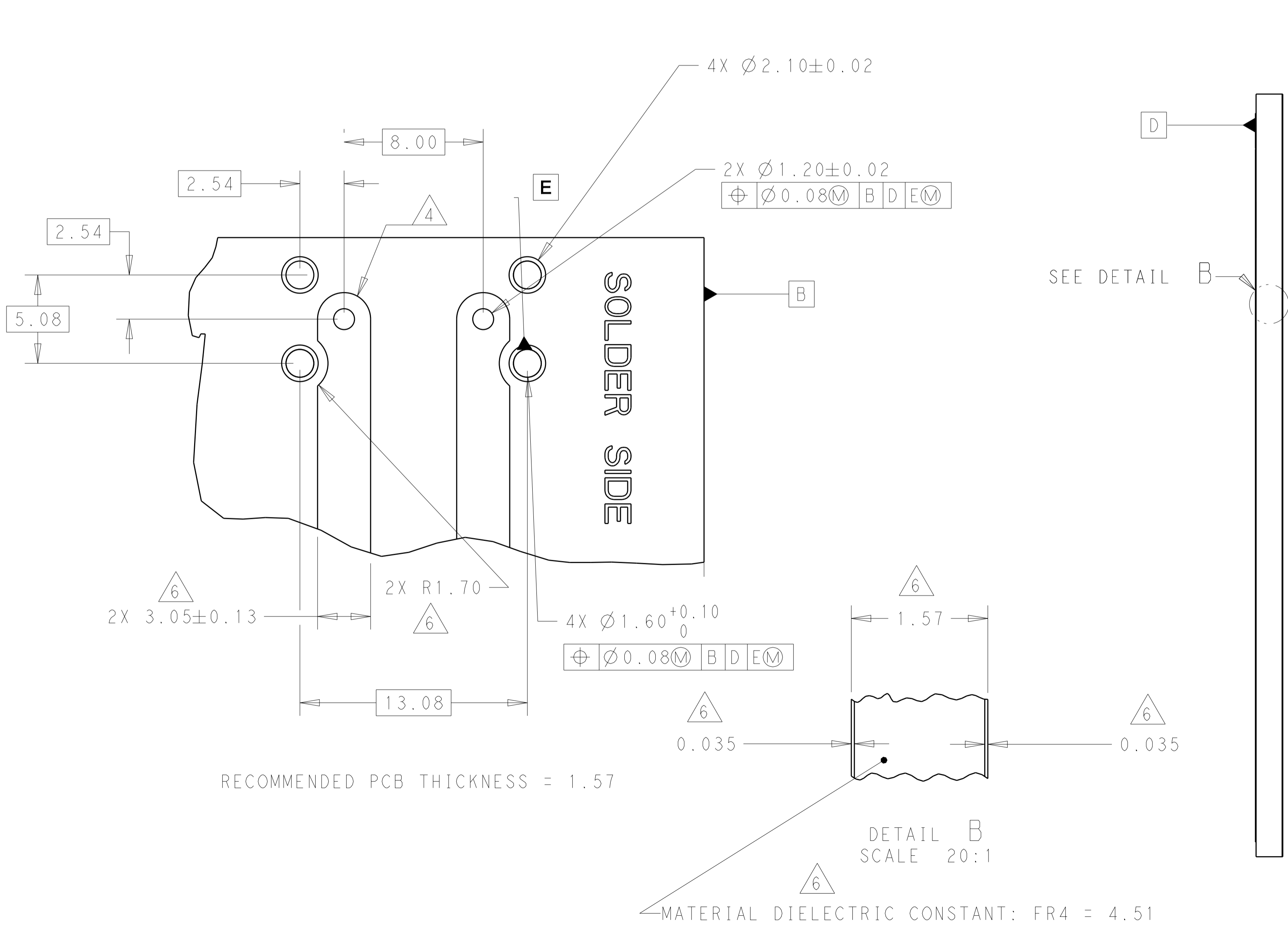
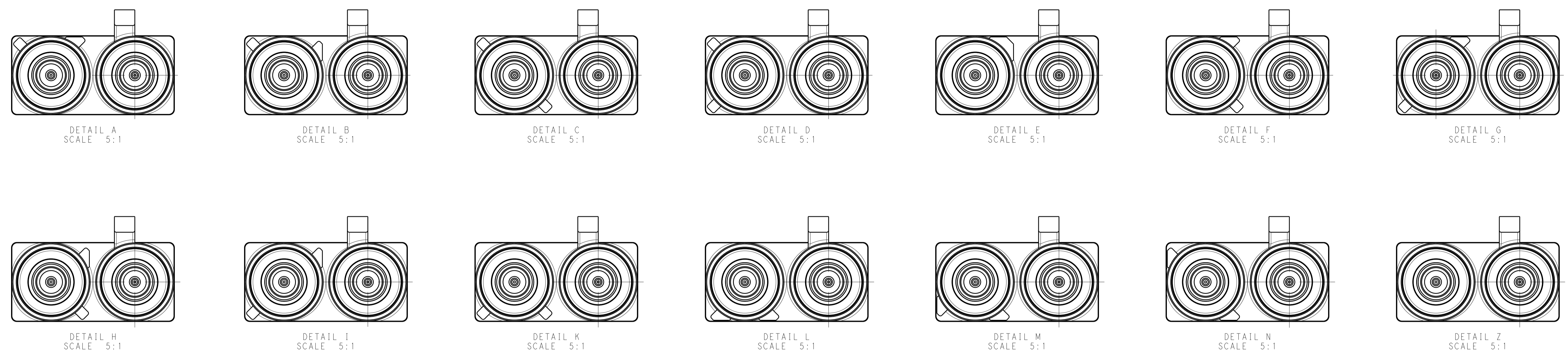
MATERIAL: △ SEE TABLE  
 FINISH: SEE TABLE

PRODUCT SPEC: 108-32058  
 APPLICATION SPEC: 114-32108  
 WEIGHT: 2.03g

NAME: MALE ASSEMBLY, 2 POSITION, VERTICAL, PCB, FAKRA  
 SIZE: A1  
 CAGE CODE: 00779  
 DRAWING NO: 2272788  
 CUSTOMER DRAWING

SCALE: 8:1 SHEET 1 OF 2 REV C1

LOC		DIST		REVISIONS			
IN	00	P.	LTN	DESCRIPTION	DATE	DWN	APVD
		-	-	SEE SHEET 1	-	-	-



THIS DRAWING IS A CONTROLLED DOCUMENT.		DWN K. PETERSON 30MAY2014	TE Connectivity
DIMENSIONS:		CHK D. J. LANE 30MAY2014	
mm	TOLERANCES UNLESS OTHERWISE SPECIFIED:	APVD D. J. LANE 30MAY2014	NAME MALE ASSEMBLY, 2 POSITION, VERTICAL, PCB, FAKRA
	0 PLC ± 1 PLC ±0.2 2 PLC ±0.08 3 PLC ± 4 PLC ± ANGLES ±	PRODUCT SPEC 108-32058	SIZE 114-32108
MATERIAL	FINISH SEE TABLE	APPLICATION SPEC 114-32108	RESTRICTED TO
		WEIGHT 2.03g	A100779C=2272788
		CUSTOMER DRAWING	SCALE 8:1 SHEET 2 OF 2 REV C1