

4

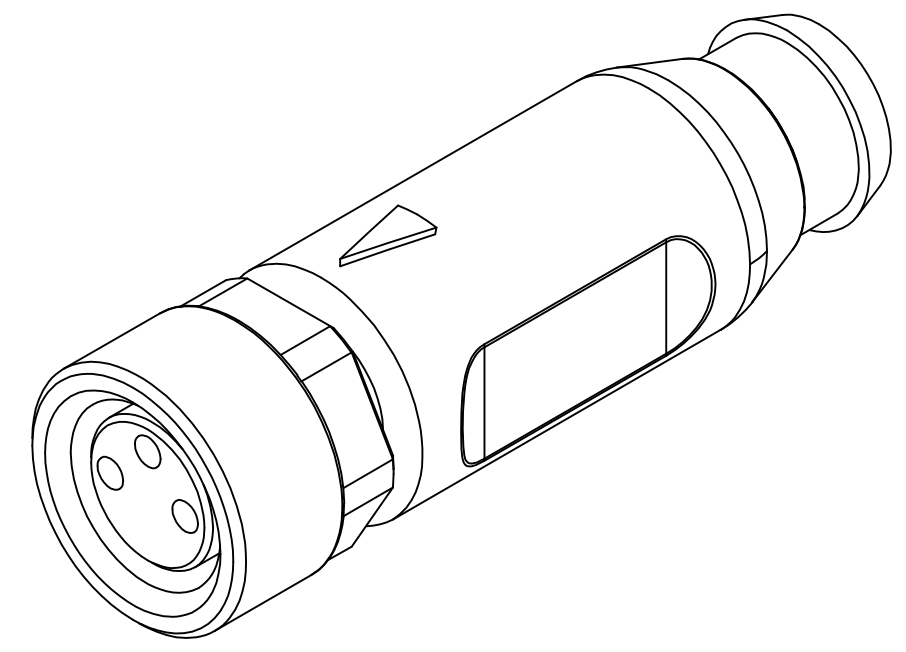
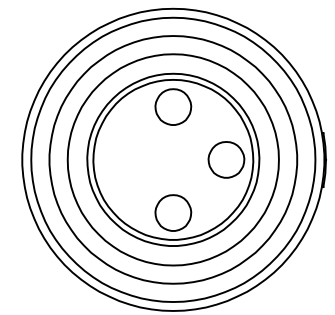
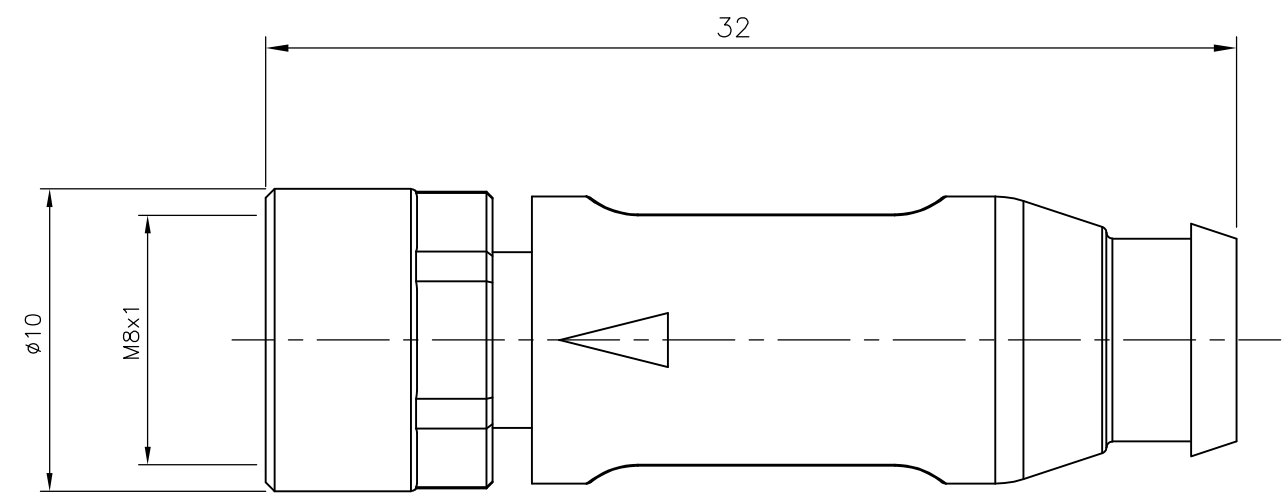
3

2

1

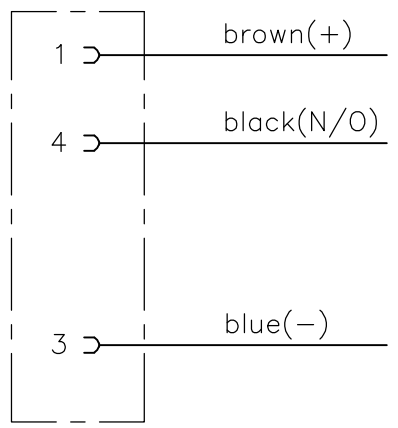
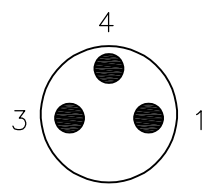
THIS DRAWING IS UNPUBLISHED. RELEASED FOR PUBLICATION - , - .
 © COPYRIGHT - By - ALL RIGHTS RESERVED.

LOC	DIST	REVISIONS					
		P	LTR	DESCRIPTION	DATE	DWN	APVD
H	-		A	INITIAL RELEASE	29APR2014	YC	BvH



Circuit diagram

Contact Layout Female



M8 X 1.0 STRAIGHT SOCKET 3POS	2273175-1
DESCRIPTION	TE PN

THIS DRAWING IS A CONTROLLED DOCUMENT.		DWN	29APR2014	STE TE Connectivity	M8 X 1.0 STRAIGHT SOCKET 3POS
		CHK	29APR2014		
		APVD	29APR2014		
		NAME	A.VAN ZANDVOORT		
DIMENSIONS:	TOLERANCES UNLESS OTHERWISE SPECIFIED:	PRODUCT SPEC		-	
mm		APPLICATION SPEC		-	
	0 PLC ± - 1 PLC ± - 2 PLC ± - 3 PLC ± - 4 PLC ± - ANGLES ± -	WEIGHT		SIZE	RESTRICTED TO
MATERIAL	FINISH	-		CAGE CODE	DRAWING NO
-	-	CUSTOMER DRAWING		A3 00779	C-2273175
				SCALE	SHEET
				NTS	1 OF 1
				REV	A