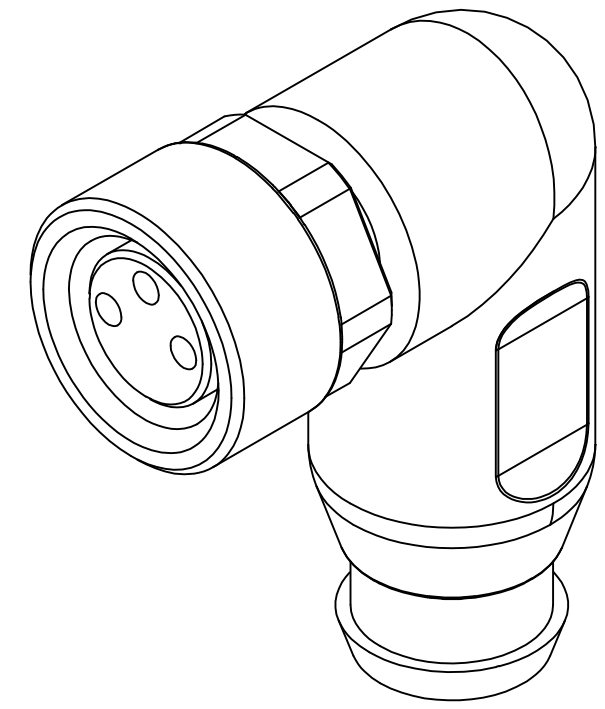
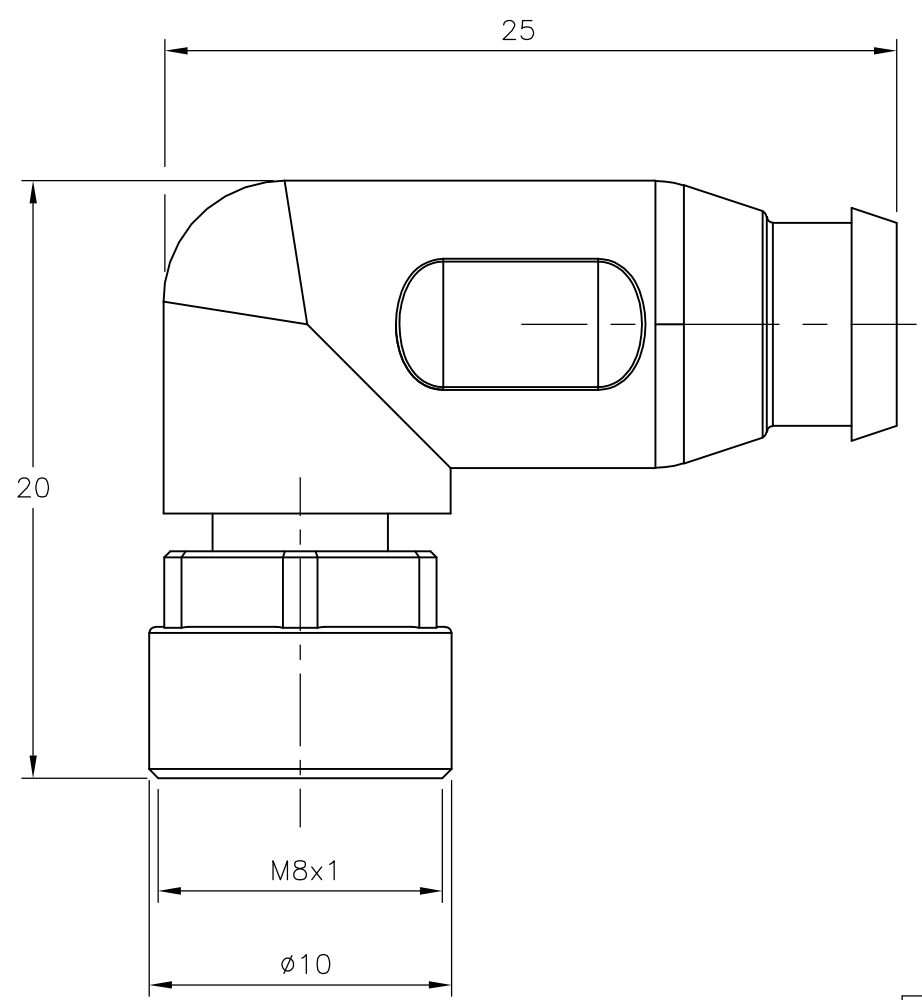
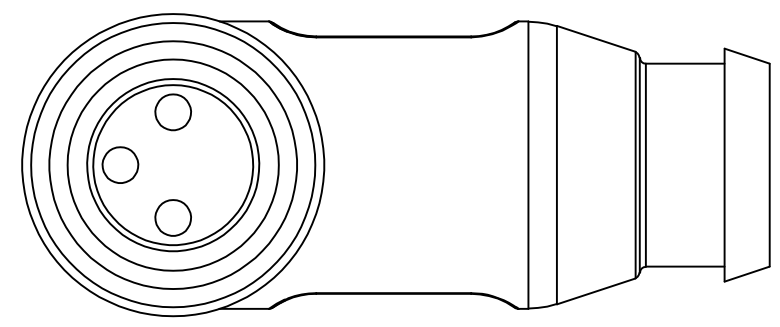


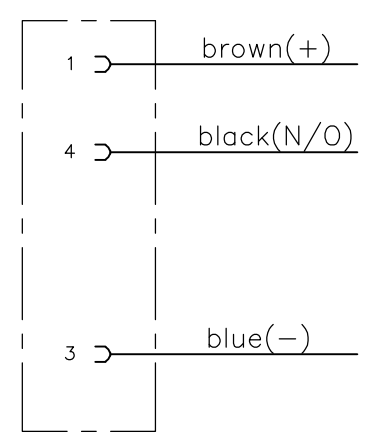
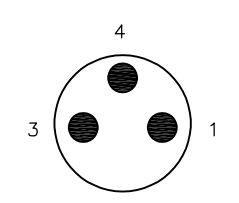
THIS DRAWING IS UNPUBLISHED.      RELEASED FOR PUBLICATION      - , - .  
 © COPYRIGHT - By -      ALL RIGHTS RESERVED.

LOC	DIST	REVISIONS					
H	-	P	LTR	DESCRIPTION	DATE	DWN	APVD
		A		INITIAL RELEASE	29APR2014	YC	BvH



Circuit diagram

Contact Layout Female



M8 X 1.0 ANGLED SOCKET 3POS	2273176-1
DESCRIPTION	TE PN

THIS DRAWING IS A CONTROLLED DOCUMENT.		DWN	29APR2014	<b>STE</b> TE Connectivity
		CHK	29APR2014	
		APVD	29APR2014	
		NAME	A.VAN ZANDVOORT	
DIMENSIONS:	TOLERANCES UNLESS OTHERWISE SPECIFIED:	PRODUCT SPEC	M8 X 1.0 ANGLED SOCKET 3POS	
mm		APPLICATION SPEC	-	
	0 PLC ± -	WEIGHT	SIZE	RESTRICTED TO
	1 PLC ± -	-	A3	-
	2 PLC ± -		CAGE CODE	DRAWING NO
	3 PLC ± -		00779	C-2273176
	4 PLC ± -		SCALE	SHEET
	ANGLES ± -		NTS	1 OF 1
MATERIAL	FINISH	CUSTOMER DRAWING		REV
-	-			A