

THIS DRAWING IS UNPUBLISHED.

RELEASED FOR PUBLICATION

ALL RIGHTS RESERVED.

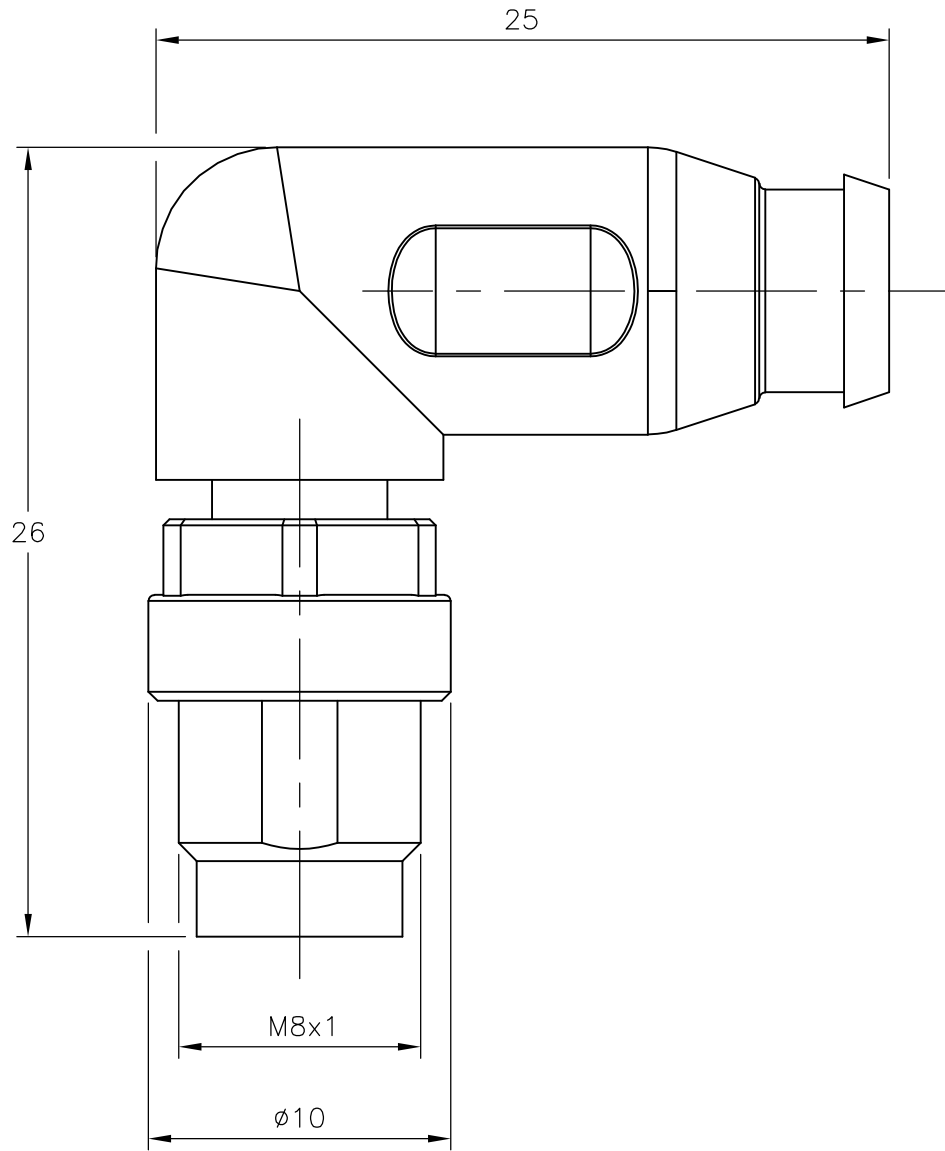
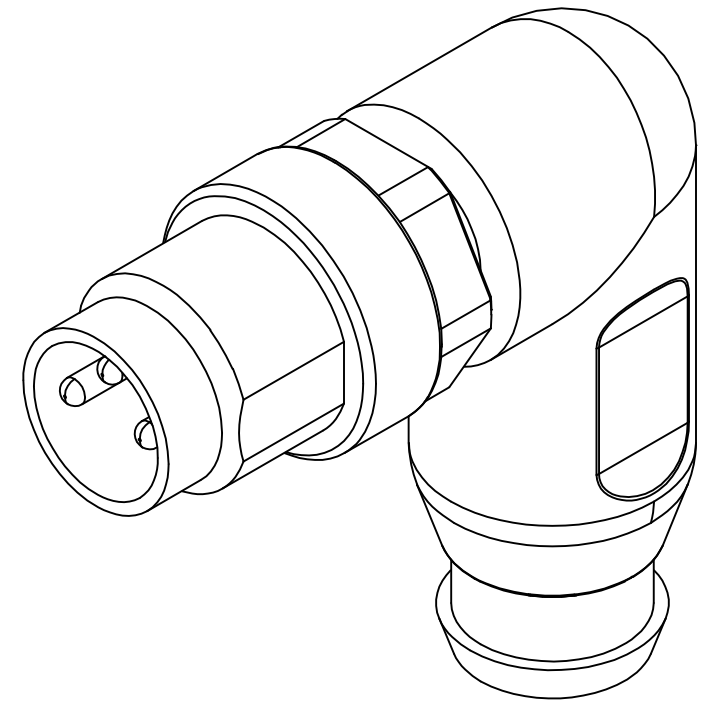
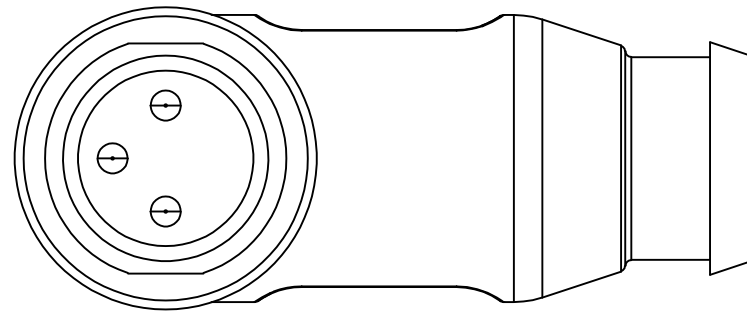
LOC

DIST

REVISIONS

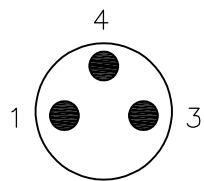
© COPYRIGHT - By -

P	LTR	DESCRIPTION	DATE	DWN	APVD
	A	INITIAL RELEASE	29APR2014	YC	BvH

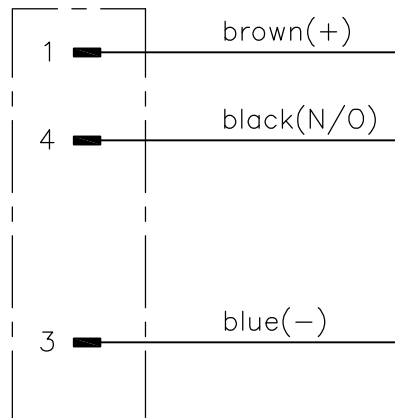


Contact Layout

Male



Circuit diagram



M8 X 1.0 ANGLED PLUG 3POS	2273182-1
DESCRIPTION	TE PN

THIS DRAWING IS A CONTROLLED DOCUMENT.		DWN	29APR2014	TE Connectivity M8 X 1.0 ANGLED PLUG 3POS -			
		CHK	29APR2014				
		APVD	29APR2014				
		NAME	A.VAN ZANDVOORT				
DIMENSIONS:	TOLERANCES UNLESS OTHERWISE SPECIFIED:	PRODUCT SPEC		SIZE	CAGE CODE	DRAWING NO	RESTRICTED TO
mm				A3	00779	C-2273182	
	0 PLC ± -	APPLICATION SPEC		SCALE	SHEET	REV	
	1 PLC ± -			NTS	1 OF 1	A	
	2 PLC ± -	WEIGHT	-	CUSTOMER DRAWING			
	3 PLC ± -						
	4 PLC ± -						
	ANGLES ± -						
MATERIAL	FINISH						
-	-						