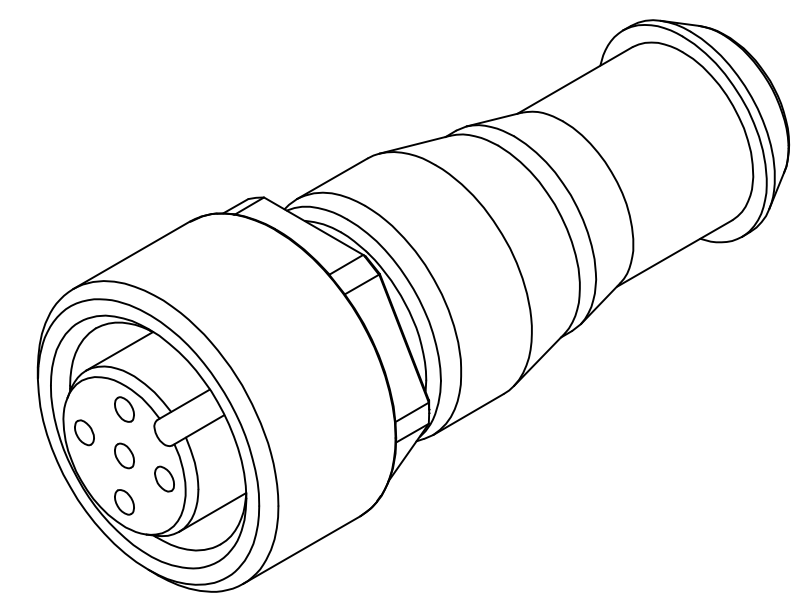
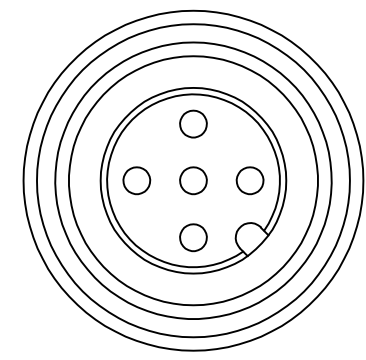
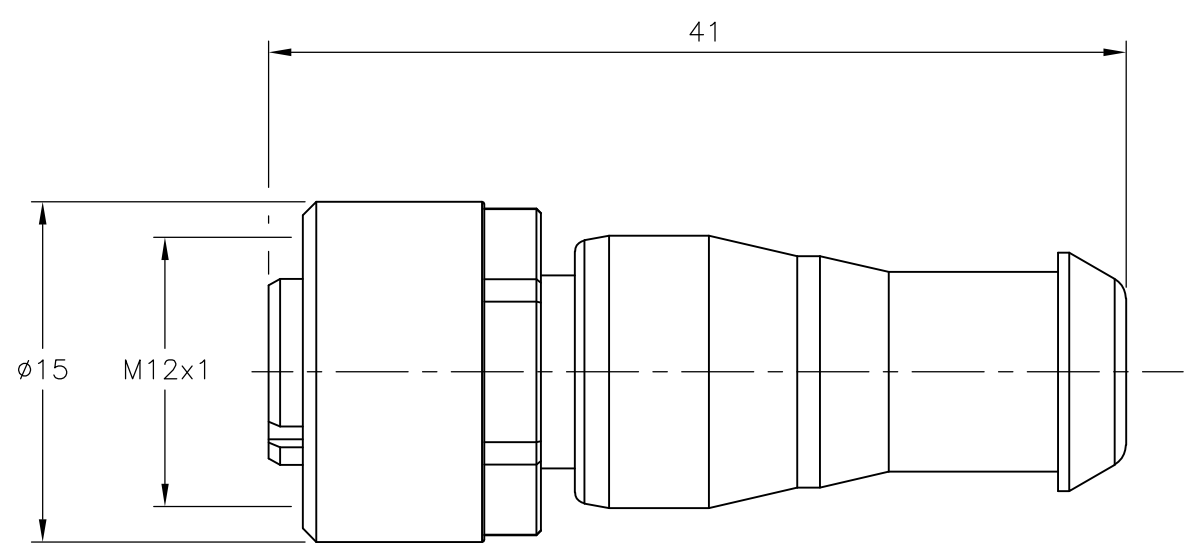
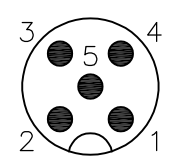


THIS DRAWING IS UNPUBLISHED. RELEASED FOR PUBLICATION
 © COPYRIGHT - By - ALL RIGHTS RESERVED.

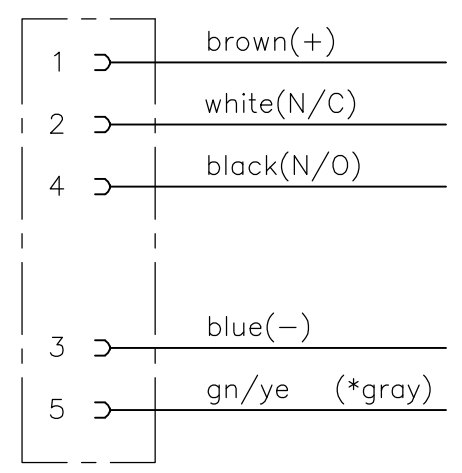
LOC	DIST	REVISIONS					
		P	LTR	DESCRIPTION	DATE	DWN	APVD
H	-		A	INITIAL RELEASE	29APR2014	GSK	BvH



Contact Layout Female



Circuit diagram



(*for cable type 126 and 732)

M12 X 1.0 STRAIGHT SOCKET 5POS A	2273195-1
DESCRIPTION	TE PN

THIS DRAWING IS A CONTROLLED DOCUMENT.		DWN 29APR2014 SATHISH KUMAR .G	TE Connectivity	
		CHK 29APR2014 B.VELDHOVEN		
		APVD 29APR2014 A.VAN ZANDVOORT	NAME M12 STRAIGHT SOCKET 5POS A	
DIMENSIONS: mm		TOLERANCES UNLESS OTHERWISE SPECIFIED:		PRODUCT SPEC -
		0 PLC ± - 1 PLC ± - 2 PLC ± - 3 PLC ± - 4 PLC ± - ANGLES ± -		APPLICATION SPEC -
MATERIAL -		FINISH -		WEIGHT -
CUSTOMER DRAWING			SIZE A3	CAGE CODE 00779
			DRAWING NO C-2273195	RESTRICTED TO -
			SCALE NTS	SHEET 1 OF 1
			REV A	