

THIS DRAWING IS UNPUBLISHED.

RELEASED FOR PUBLICATION

ALL RIGHTS RESERVED.

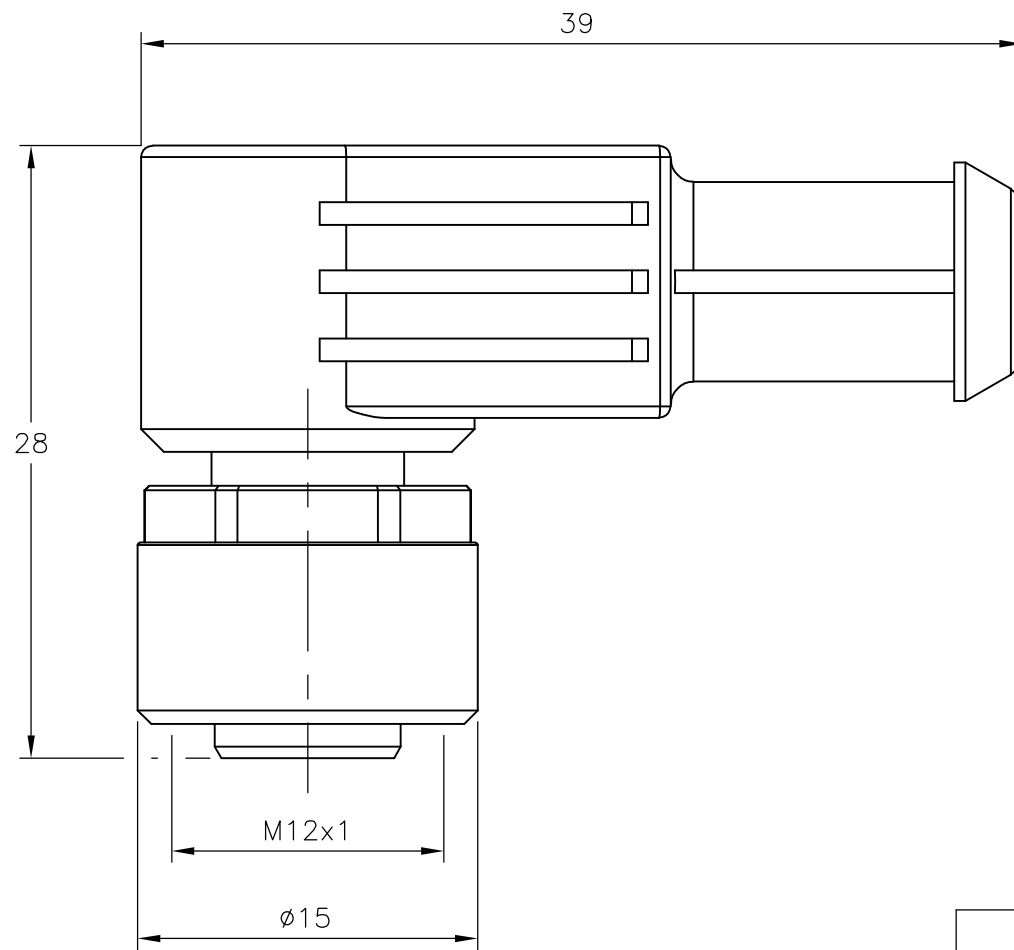
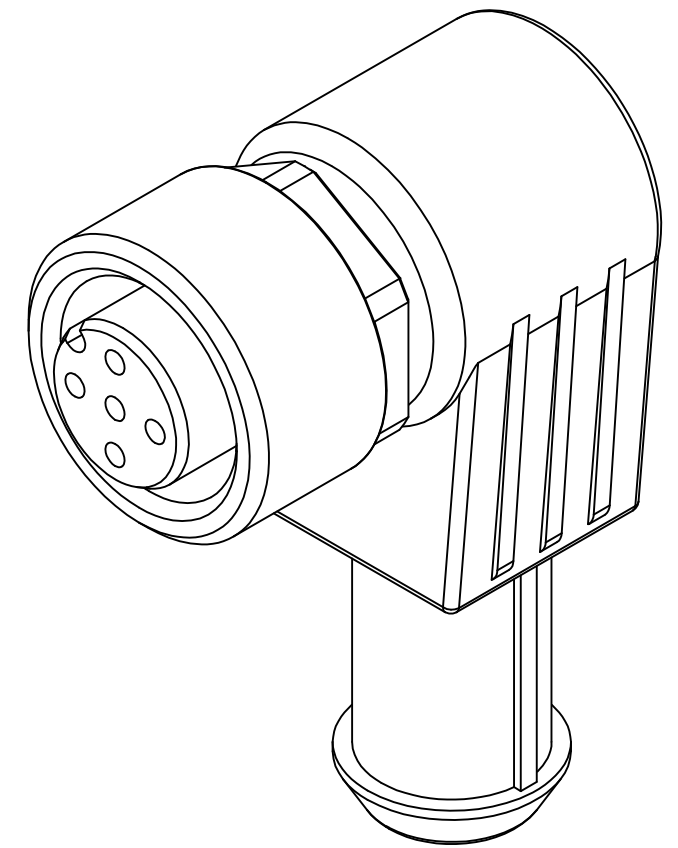
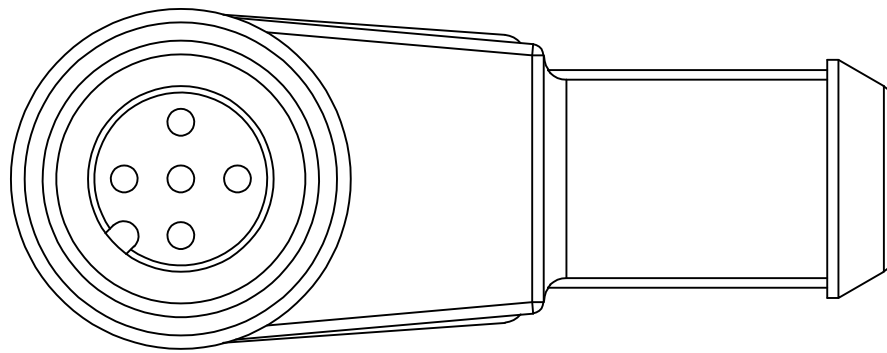
© COPYRIGHT - By -

LOC  
H

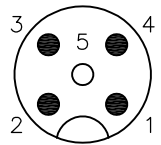
DIST  
-

REVISIONS

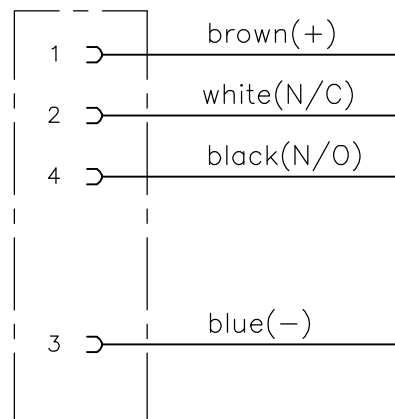
P	LTR	DESCRIPTION	DATE	DWN	APVD
	A	INITIAL RELEASE	29APR2014	GSK	BvH




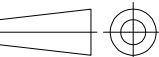
Contact Layout  
Female



Circuit diagram



M12 X 1.0 ANGLED SOCKET 4POS A	2273200-1
DESCRIPTION	TE PN

THIS DRAWING IS A CONTROLLED DOCUMENT.		DWN SATHISH KUMAR .G 29APR2014	 <b>TE Connectivity</b>	
DIMENSIONS: mm		CHK B.VELDHOVEN 29APR2014		
TOLERANCES UNLESS OTHERWISE SPECIFIED:		APVD A.VAN ZANDVOORT 29APR2014	NAME M12 ANGLED SOCKET 4POS A	
		PRODUCT SPEC -	-	
MATERIAL -		FINISH -	APPLICATION SPEC -	RESTRICTED TO -
		WEIGHT -	SIZE A3	CAGE CODE 00779
		CUSTOMER DRAWING	DRAWING NO C-2273200	RESTRICTED TO -
		SCALE NTS	SHEET 1 OF 1	REV A