

THIS DRAWING IS UNPUBLISHED.

RELEASED FOR PUBLICATION

ALL RIGHTS RESERVED.

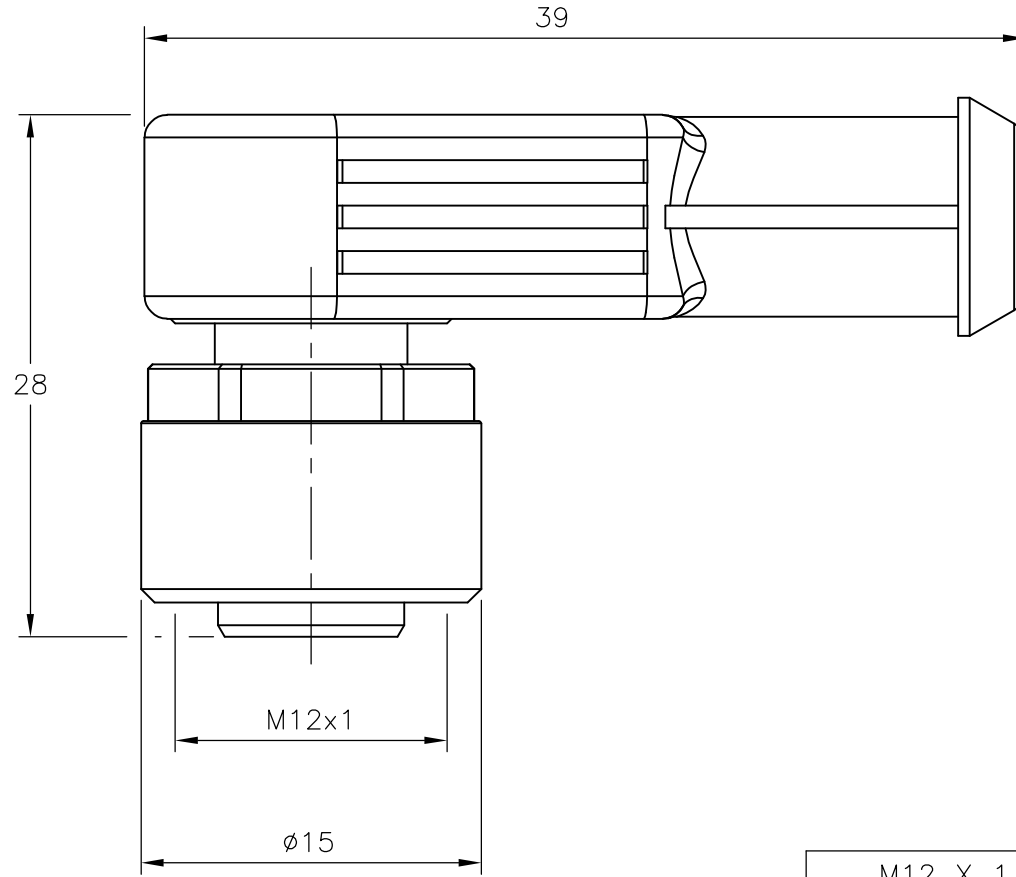
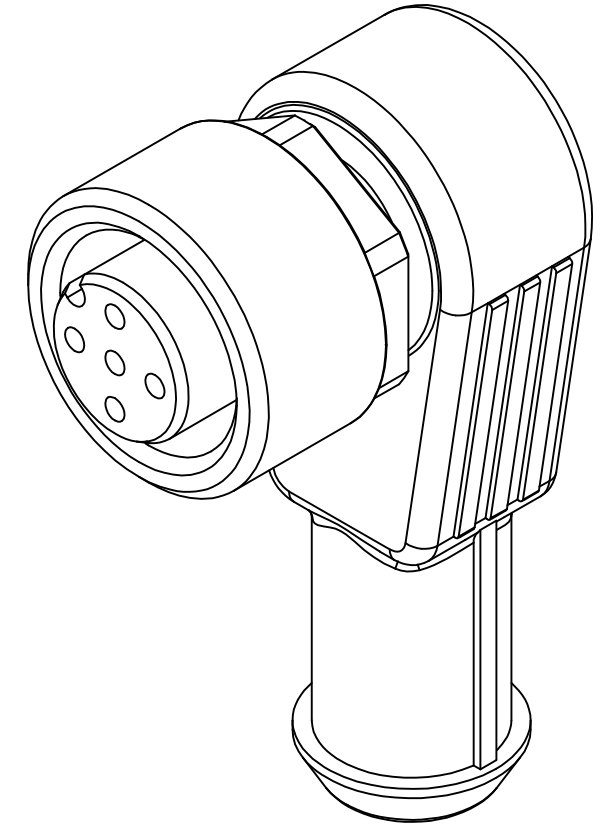
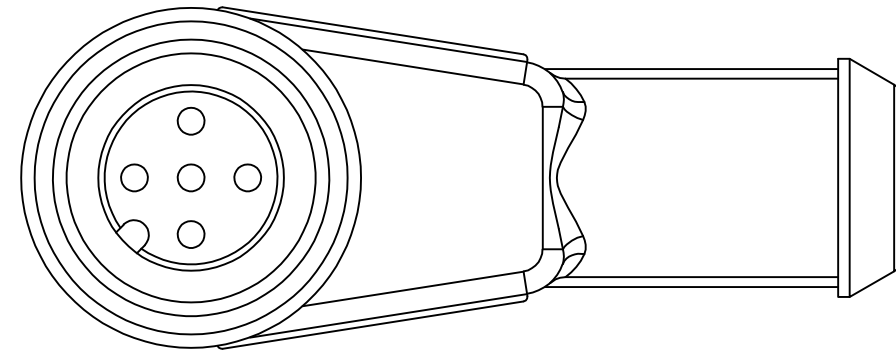
© COPYRIGHT - By -

LOC
H

DIST
-

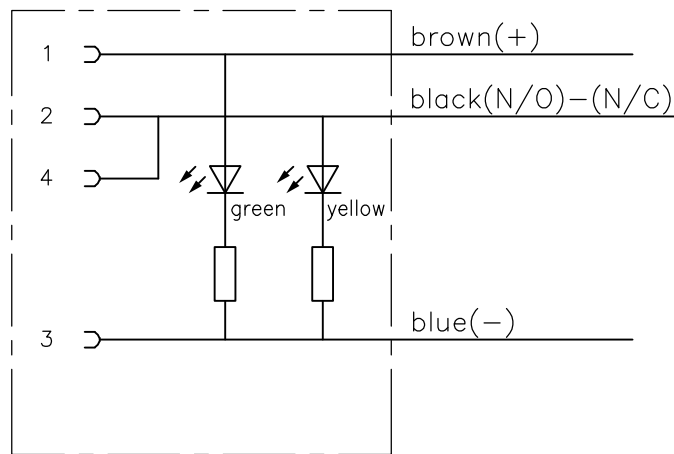
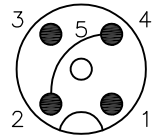
REVISIONS

P	LTR	DESCRIPTION	DATE	DWN	APVD
	A	INITIAL RELEASE	29APR2014	GSK	BvH



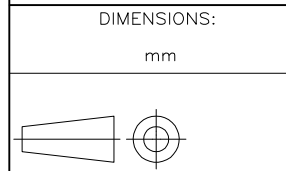
Circuit diagram

Contact Layout Female



M12 X 1.0 ANGLED SOCKET 4POS SH 2 LED A	2273202-1
DESCRIPTION	TE PN

THIS DRAWING IS A CONTROLLED DOCUMENT.



DIMENSIONS:	TOLERANCES UNLESS OTHERWISE SPECIFIED:
mm	
0 PLC	± -
1 PLC	± -
2 PLC	± -
3 PLC	± -
4 PLC	± -
ANGLES	± -
MATERIAL	FINISH
-	-

DWN	29APR2014	 TE Connectivity			
CHK	29APR2014				
APVD	29APR2014				
NAME	A.VAN ZANDVOORT				
PRODUCT SPEC		M12 ANGLED SOCKET 4POS SH 2LED A			
APPLICATION SPEC					
WEIGHT	-	SIZE	CAGE CODE	DRAWING NO	RESTRICTED TO
		A3	00779	C-2273202	-

CUSTOMER DRAWING	SCALE	SHEET	REV
	NTS	1 OF 1	A