

THIS DRAWING IS UNPUBLISHED.

RELEASED FOR PUBLICATION

LOC DIST

REVISIONS

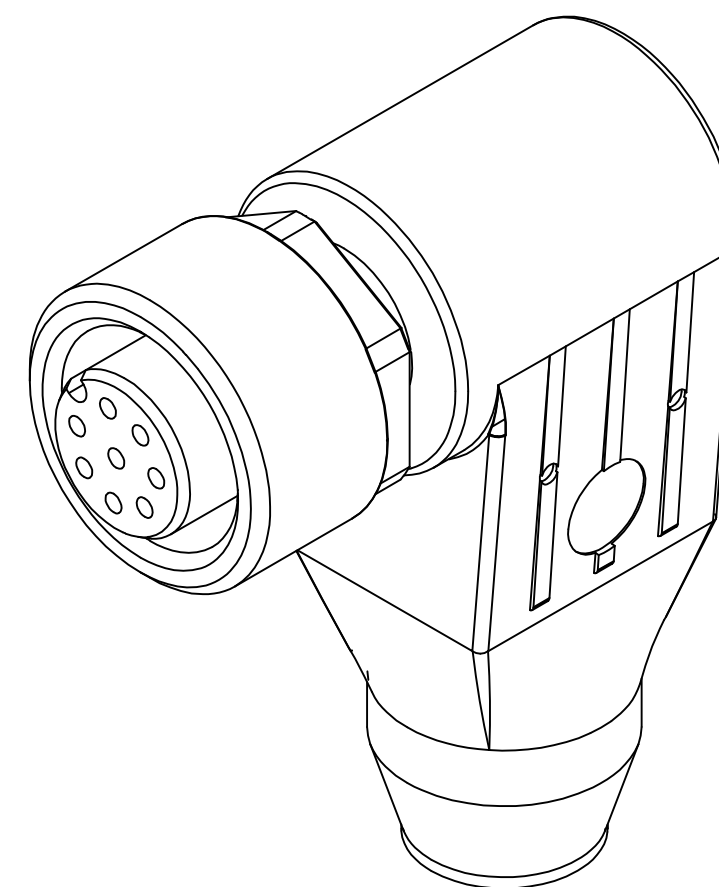
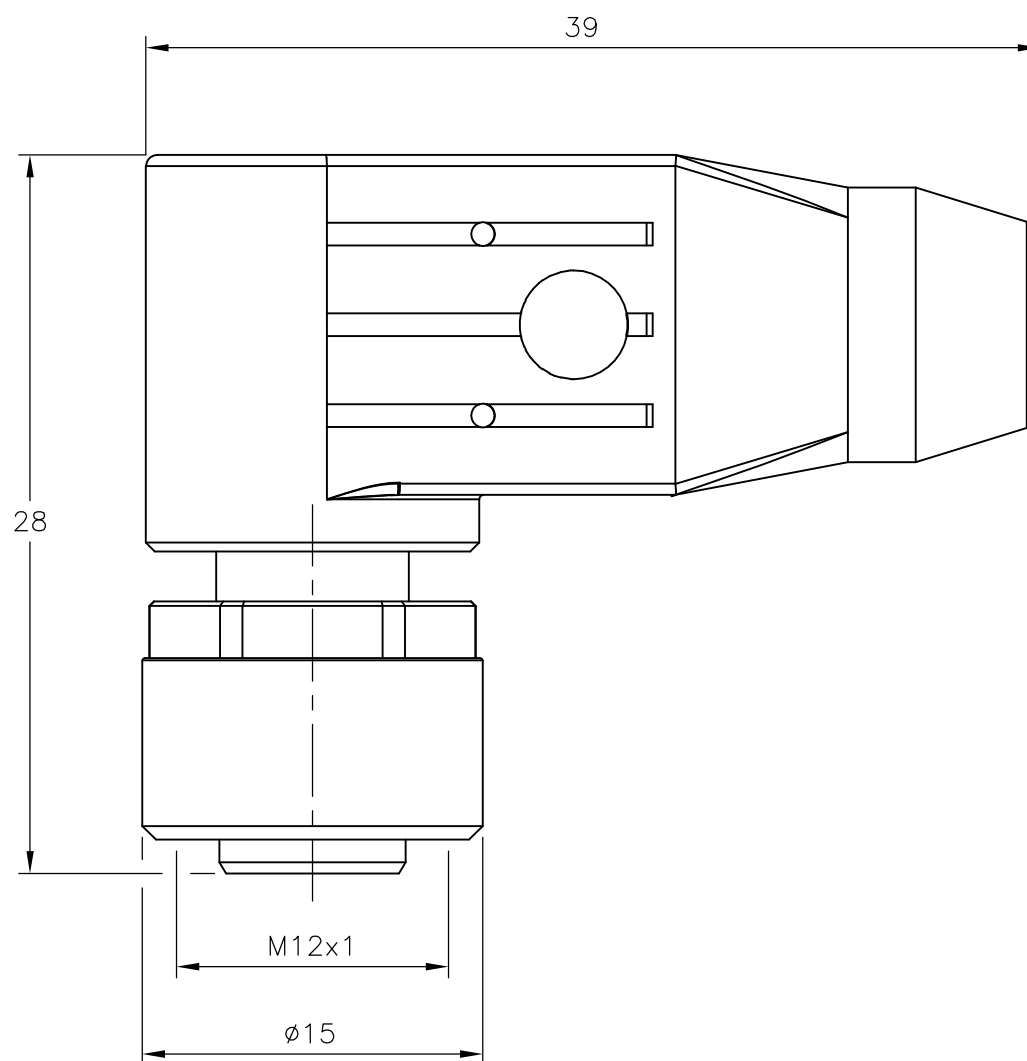
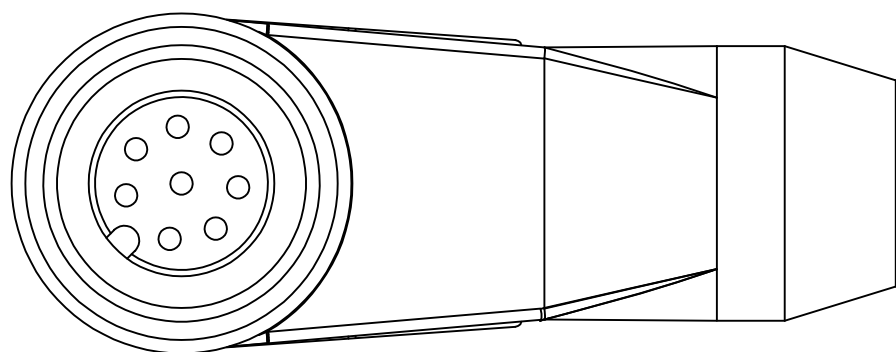
© COPYRIGHT - By -

ALL RIGHTS RESERVED.

H

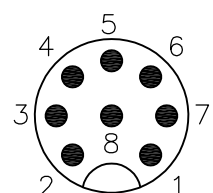
-

P	LTR	DESCRIPTION	DATE	DWN	APVD
	A	INITIAL RELEASE	29APR2014	GSK	BvH




Circuit diagram

Contact Layout Female



1	brown
2	white
3	blue
4	black
5	gray
6	pink
7	violet
8	orange

M12 X 1.0 ANGLED SOCKET 8POS A	2273205-1
DESCRIPTION	TE PN

THIS DRAWING IS A CONTROLLED DOCUMENT.		DWN 29APR2014 SATHISH KUMAR .G	 TE Connectivity	
DIMENSIONS: mm		CHK 29APR2014 B.VELDHOVEN		
TOLERANCES UNLESS OTHERWISE SPECIFIED:		APVD 29APR2014 A.VAN ZANDVOORT	NAME M12 ANGLED SOCKET 8POS A	
0 PLC ± - 1 PLC ± - 2 PLC ± - 3 PLC ± - 4 PLC ± - ANGLES ± -		PRODUCT SPEC	SIZE CAGE CODE DRAWING NO RESTRICTED TO	
MATERIAL		APPLICATION SPEC	A3 00779 C-2273205	
FINISH		WEIGHT	SCALE NTS SHEET 1 OF 1 REV A	
		CUSTOMER DRAWING		