

THIS DRAWING IS UNPUBLISHED.

RELEASED FOR PUBLICATION

ALL RIGHTS RESERVED.

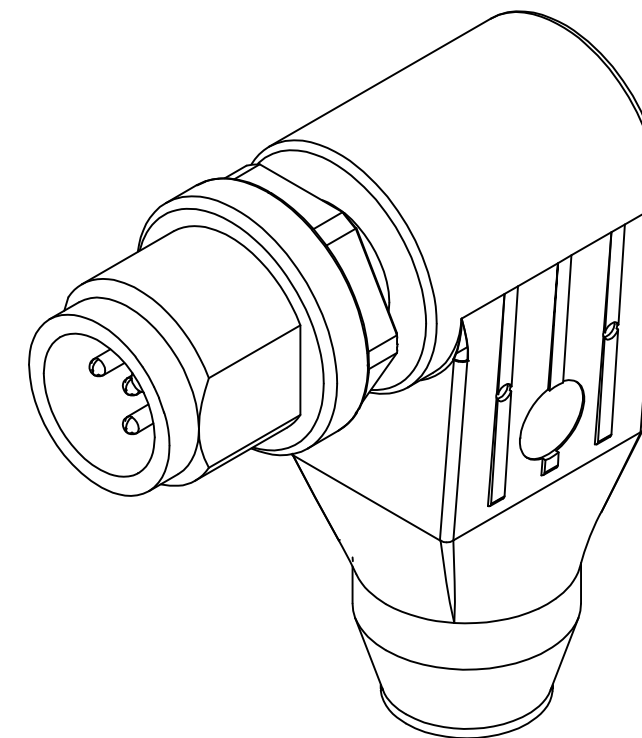
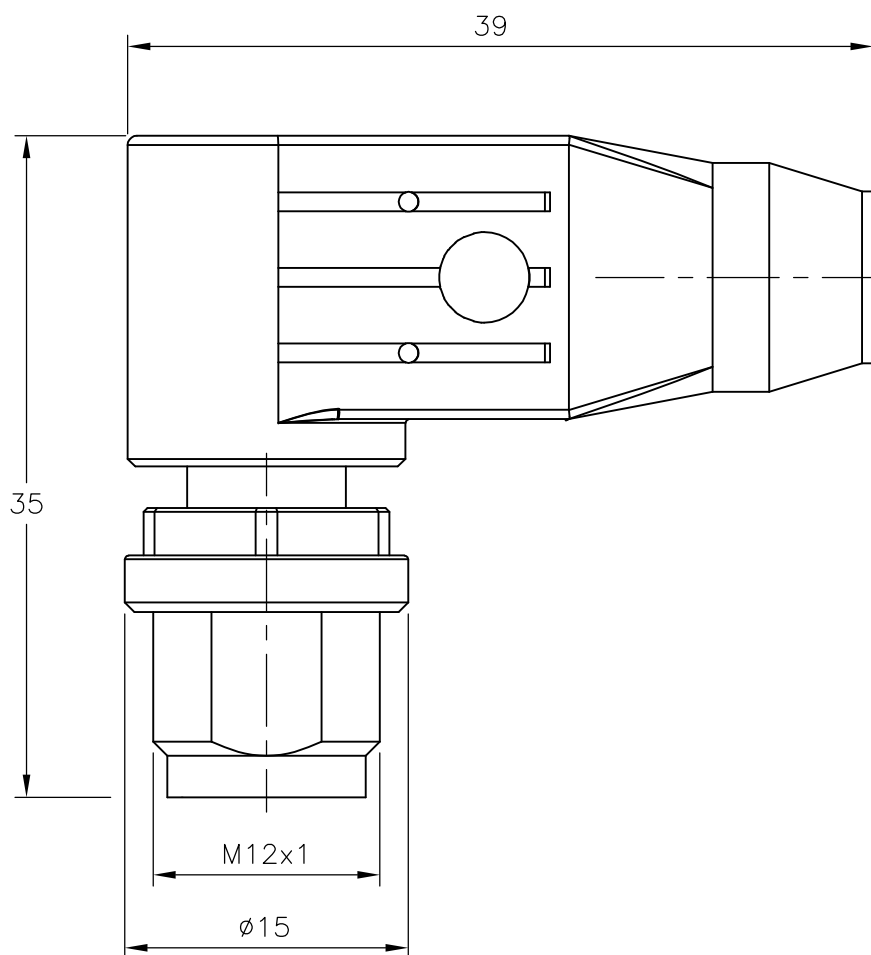
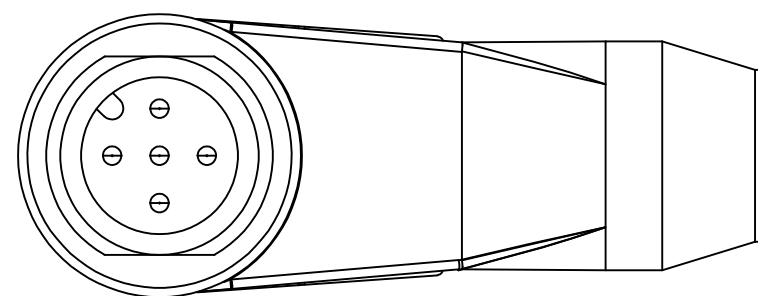
© COPYRIGHT - By -

LOC

DIST

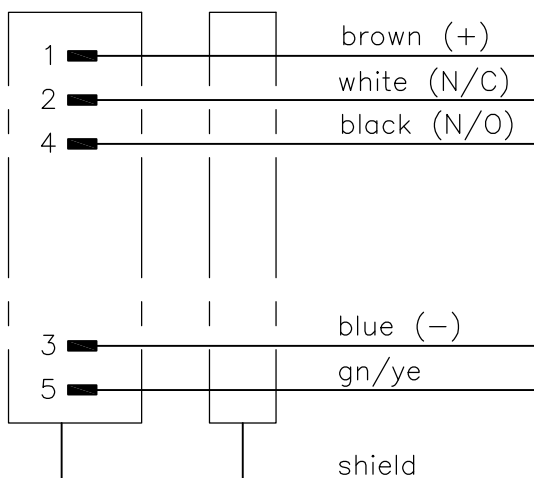
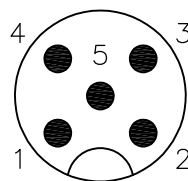
REVISIONS

| P | LTR | DESCRIPTION | DATE | DWN | APVD |
|---|-----|-----------------|-----------|-----|------|
| | A | INITIAL RELEASE | 29APR2014 | YC | BvH |



Circuit diagram

Contact Layout Male



| | |
|-----------------------------|-----------|
| M12 ANGLED PLUG 5POS SHLD A | 2273224-1 |
| DESCRIPTION | TE PN |

| | | | | | | | | | | | | | | | |
|--|-----|-----------------|-----------|----------------------------|-------------------------------------|-------|-----|-------|-----|-------|-----|-------|-----|--------|-----|
| THIS DRAWING IS A CONTROLLED DOCUMENT. | | DWN | 29APR2014 | STE TE Connectivity | NAME M12 ANGLED PLUG 5POS SHLD A | | | | | | | | | | |
| DIMENSIONS: mm | | YATHISH.C | 29APR2014 | | | | | | | | | | | | |
| TOLERANCES UNLESS OTHERWISE SPECIFIED: | | CHK | 29APR2014 | | | | | | | | | | | | |
| <table border="1"> <tr><td>0 PLC</td><td>± -</td></tr> <tr><td>1 PLC</td><td>± -</td></tr> <tr><td>2 PLC</td><td>± -</td></tr> <tr><td>3 PLC</td><td>± -</td></tr> <tr><td>4 PLC</td><td>± -</td></tr> <tr><td>ANGLES</td><td>± -</td></tr> </table> | | 0 PLC | ± - | | | 1 PLC | ± - | 2 PLC | ± - | 3 PLC | ± - | 4 PLC | ± - | ANGLES | ± - |
| 0 PLC | ± - | | | | | | | | | | | | | | |
| 1 PLC | ± - | | | | | | | | | | | | | | |
| 2 PLC | ± - | | | | | | | | | | | | | | |
| 3 PLC | ± - | | | | | | | | | | | | | | |
| 4 PLC | ± - | | | | | | | | | | | | | | |
| ANGLES | ± - | | | | | | | | | | | | | | |
| MATERIAL | | A.VAN ZANDVOORT | | PRODUCT SPEC | — | | | | | | | | | | |
| FINISH | | — | | APPLICATION SPEC | — | | | | | | | | | | |
| — | | — | | WEIGHT | — | | | | | | | | | | |
| — | | — | | SIZE | A3 | | | | | | | | | | |
| — | | — | | CAGE CODE | 00779 | | | | | | | | | | |
| — | | — | | DRAWING NO | C-2273224 | | | | | | | | | | |
| — | | — | | RESTRICTED TO | — | | | | | | | | | | |
| — | | — | | SCALE | NTS | | | | | | | | | | |
| — | | — | | SHEET | 1 OF 1 | | | | | | | | | | |
| — | | — | | REV | A | | | | | | | | | | |
| CUSTOMER DRAWING | | | | | | | | | | | | | | | |