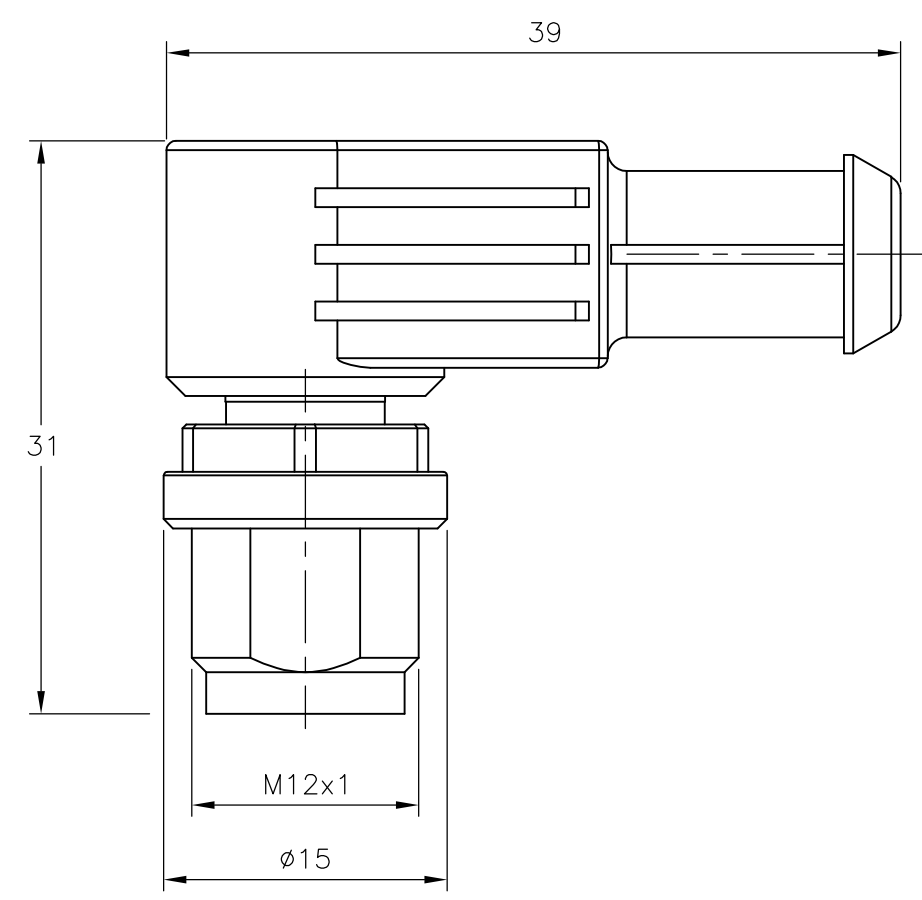
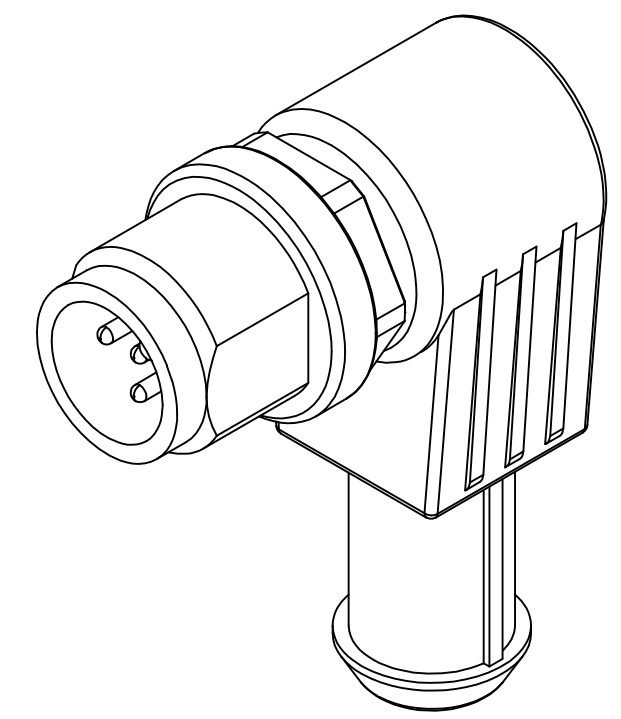
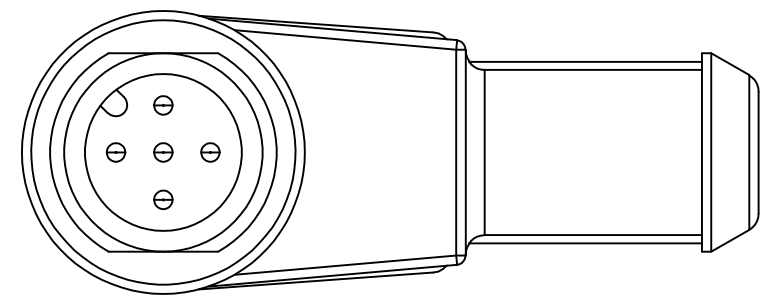
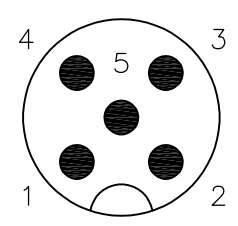


THIS DRAWING IS UNPUBLISHED. RELEASED FOR PUBLICATION
 © COPYRIGHT - By - ALL RIGHTS RESERVED.

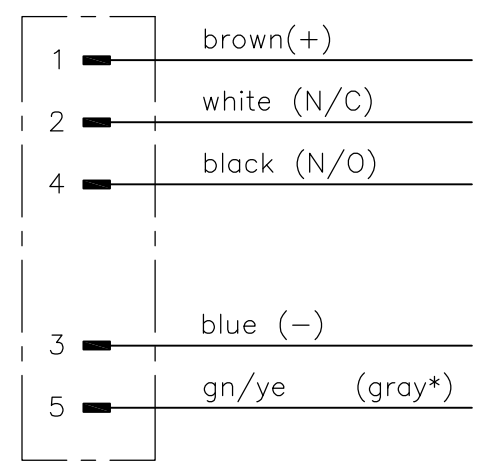
LOC	DIST	REVISIONS					
H	-	P	LTR	DESCRIPTION	DATE	DWN	APVD
		A		INITIAL RELEASE	29APR2014	YC	BvH



Contact Layout Male



Circuit diagram



(*for cable type 126 and 732)

M12 ANGLED PLUG 5POS A	2273225-1
DESCRIPTION	TE PN

THIS DRAWING IS A CONTROLLED DOCUMENT.		DWN	29APR2014	TE Connectivity NAME M12 ANGLED PLUG 5POS A
DIMENSIONS: mm		CHK	29APR2014	
TOLERANCES UNLESS OTHERWISE SPECIFIED:		APVD	29APR2014	
0 PLC ± - 1 PLC ± - 2 PLC ± - 3 PLC ± - 4 PLC ± - ANGLES ± -		PRODUCT SPEC	-	
MATERIAL		FINISH		APPLICATION SPEC
-		-		WEIGHT
				SIZE
				CAGE CODE
				DRAWING NO
				RESTRICTED TO
				A300779
				C-2273225
				SCALE
				NTS
				SHEET
				1 OF 1
				REV
				A
CUSTOMER DRAWING				