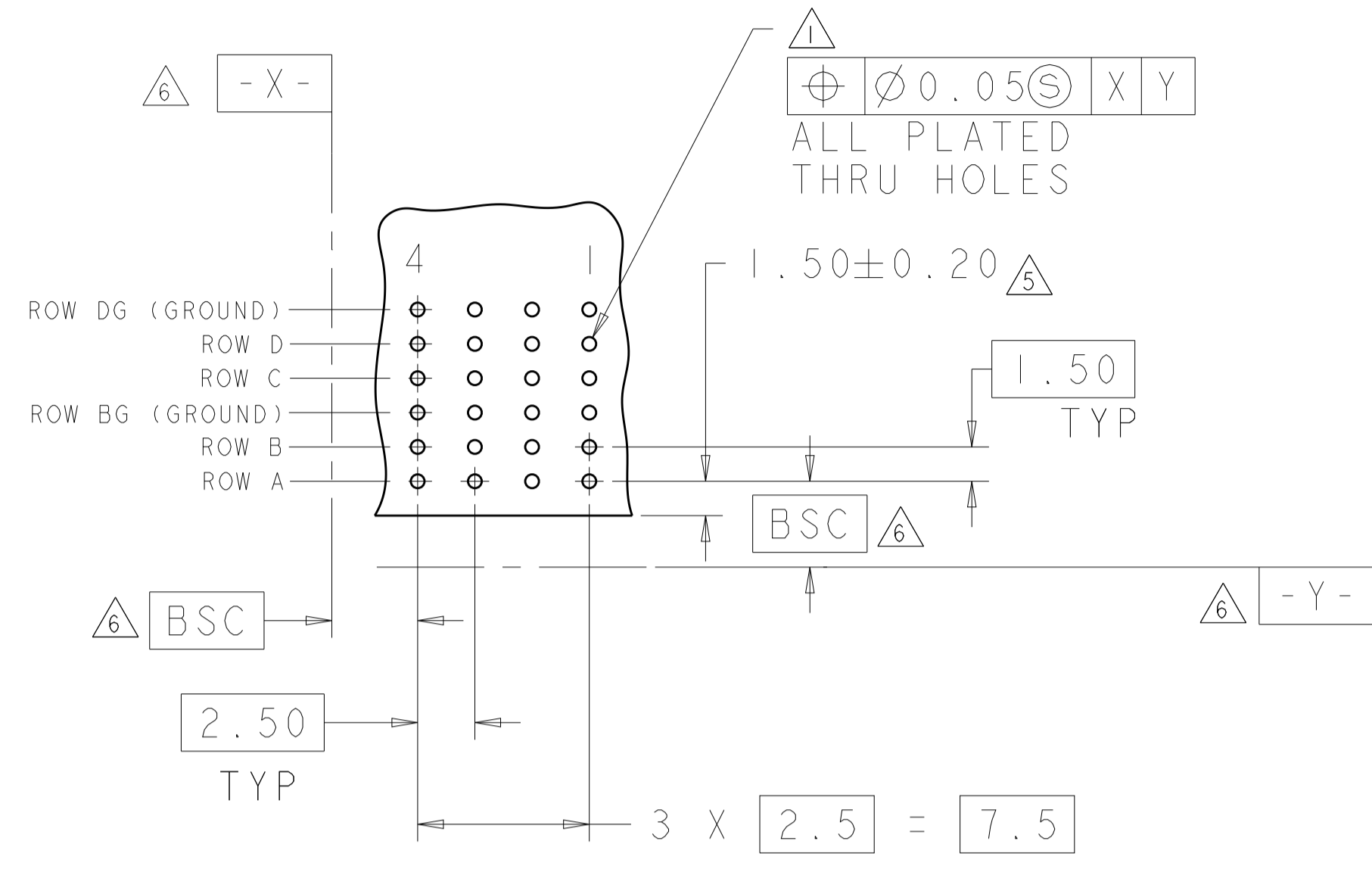
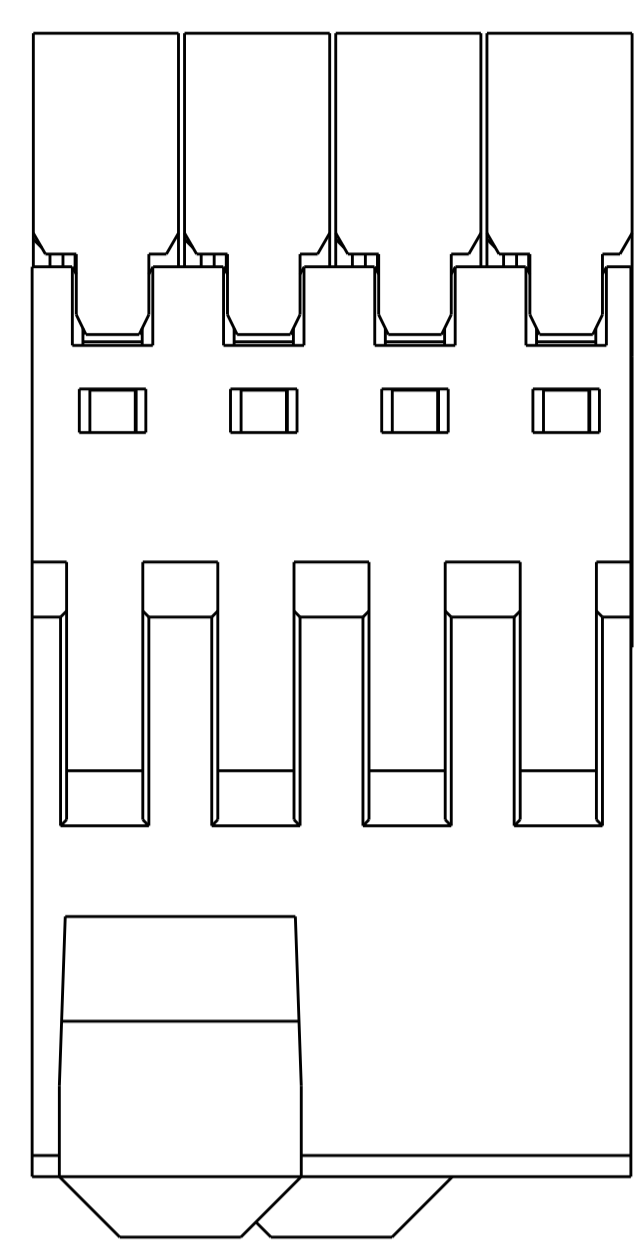


LOC		DIST		REVISIONS			
AD	00	P	LTN	DESCRIPTION	DATE	DMN	APVD
		A		RELEASED	-	-	-
		B		REVISED PER ECO-16-008845	12SEP2016	AP	RP



RECOMMENDED PC BOARD LAYOUT,
 DAUGHTER BOARD,
 COMPONENT SIDE SHOWN
 SCALE 4:1

1. 0.70mm ± 0.025 DRILLED HOLE
 0.025 MIN - 0.050 MAX COPPER PLATING THICKNESS
 0.0002 - 0.0005 ORGANIC SOLDERABILITY PRESERVATIVE (OSP)
 0.62 REF NOMINAL FINISHED HOLE SIZE
 DIMS AND TOLERANCES APPLY TO TOP 1.40 OF PCB THICKNESS.

2. MATERIAL:
 SHIELD - PHOSPHOR BRONZE
 CONTACT - COPPER-NICKEL-SILICON
 HOUSING, CHICKLET AND CHICKLET COVER -
 GLASS FILLED POLYESTER, UL 94V-0 RATED.

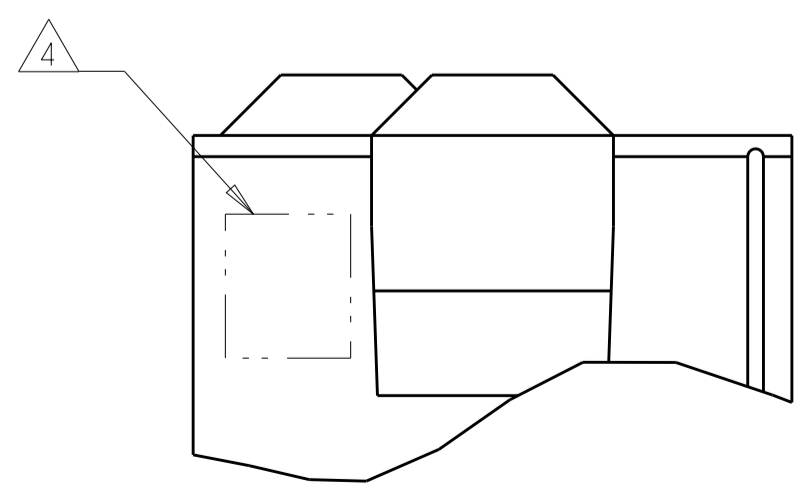
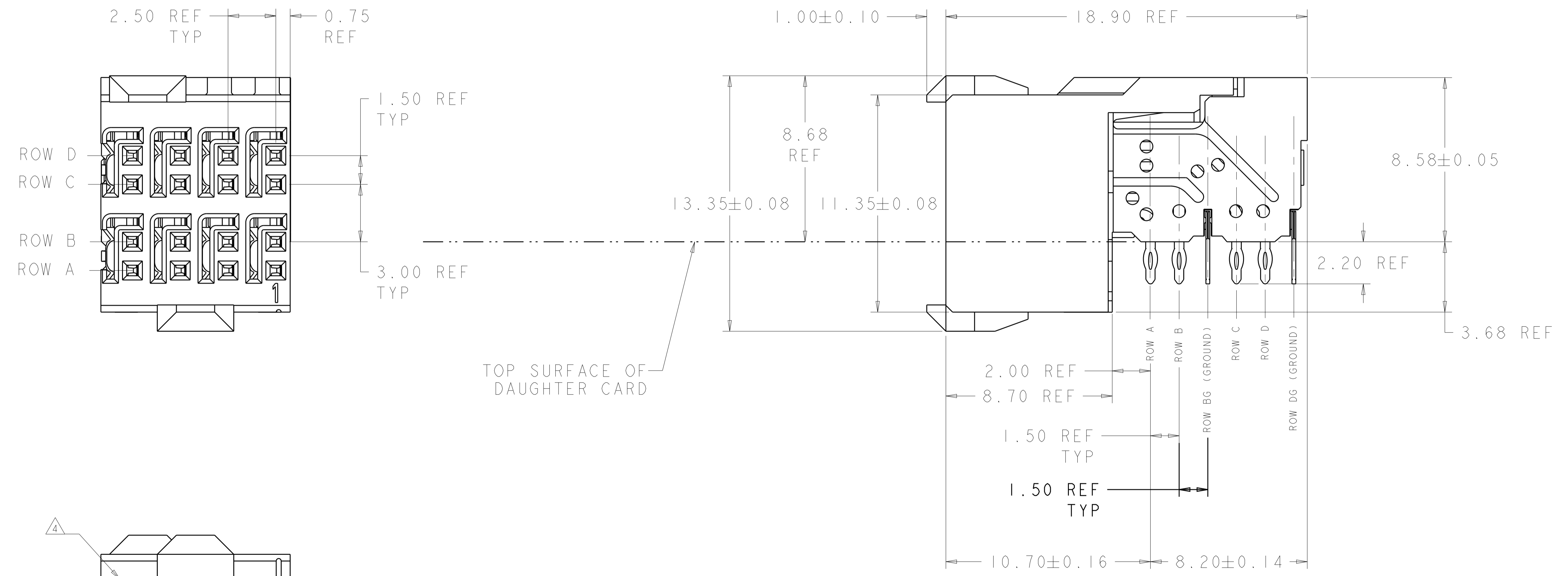
3. FINISH: SIGNAL AND GROUND CONTACTS:
 MATING AREA: MEETS THE PERFORMANCE REQUIREMENTS OF
 PRODUCT SPECIFICATION 108-2055; BASED ON TELCORDIA
 GR-1217-CORE, APPLICATIONS IN UNCONTROLLED
 ENVIRONMENTS
 COMPLIANT PIN AREA: 0.5 μm MIN MATTE
 TIN OVER BASE PLATING

4. CONNECTOR MARKED WITH PART NUMBER AND DATE CODE
 IN APPROXIMATE AREA SHOWN

5. DIMENSION APPLIES TO CENTERLINE OF THRU HOLE.

6. DATUMS AND BASIC DIMENSIONS ESTABLISHED BY
 CUSTOMER.

7. CONTACT AREA LUBRICATED WITH BELLCORE
 APPROVED LUBRICANT. TECHNICAL REFERENCE:
 GR-1217-CORE, ISSUE 1, NOVEMBER 1995.



2274679-1
 PART NUMBER

THIS DRAWING IS A CONTROLLED DOCUMENT.		DMN B. CARBO 19MAR2014	TE Connectivity	
DIMENSIONS:		CHK R. PATTERSON 19MAR2014	NAME	
mm		APVD R. PATTERSON 19MAR2014	RECEPTACLE ASSEMBLY, 2 PAIR, 15mm, HMZd	
TOLERANCES UNLESS OTHERWISE SPECIFIED:		PRODUCT SPEC	SIZE	
0 PLC ±		108-2055	CAGE CODE DRAWING NO	
1 PLC ±		APPLICATION SPEC	RESTRICTED TO	
2 PLC ±		114-13059	A100779C=2274679	
3 PLC ±		WEIGHT	SCALE 8:1 SHEET 1 OF 1 REV B	
4 PLC ±		CUSTOMER DRAWING		
ANGLES ±				
FINISH				