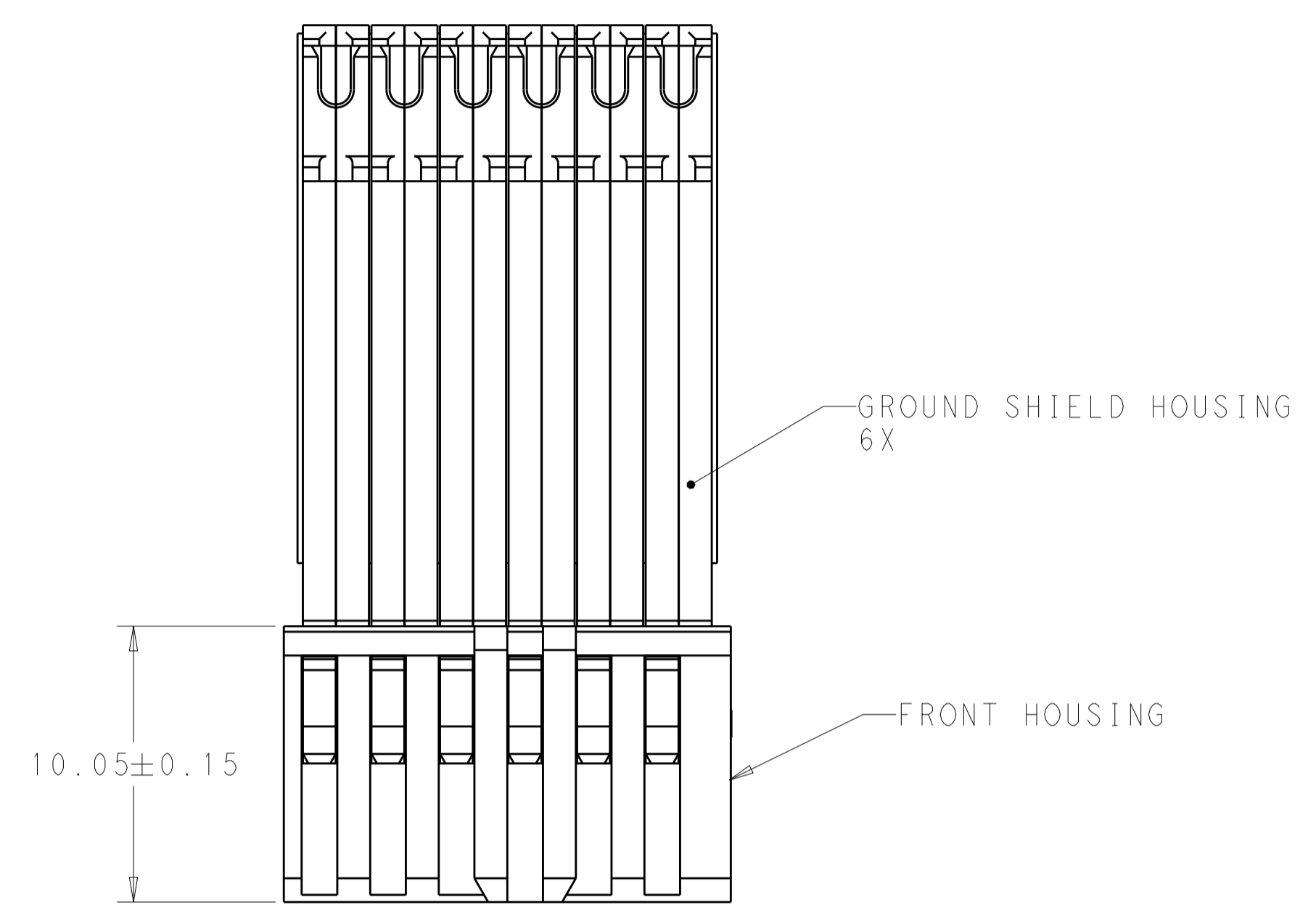
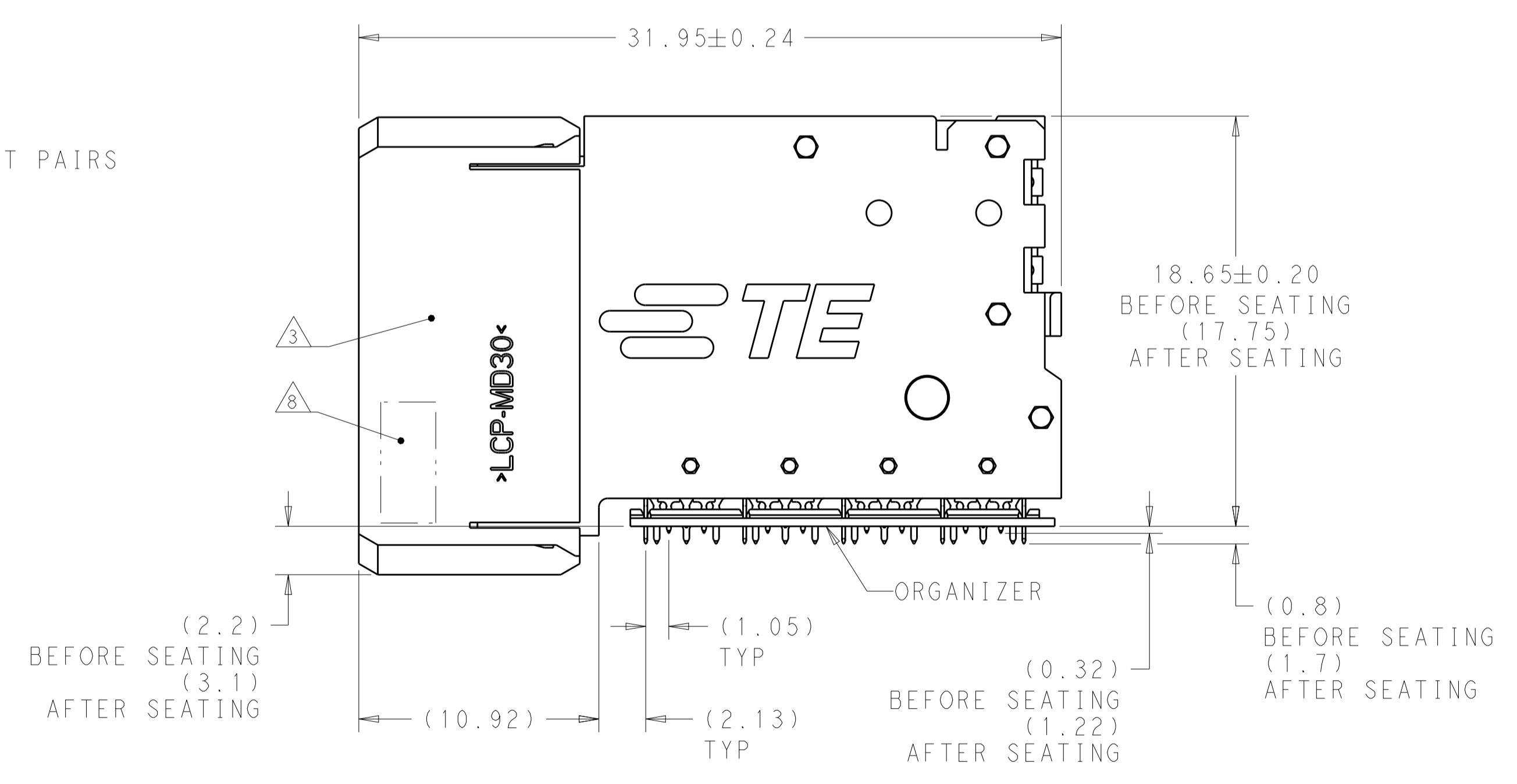
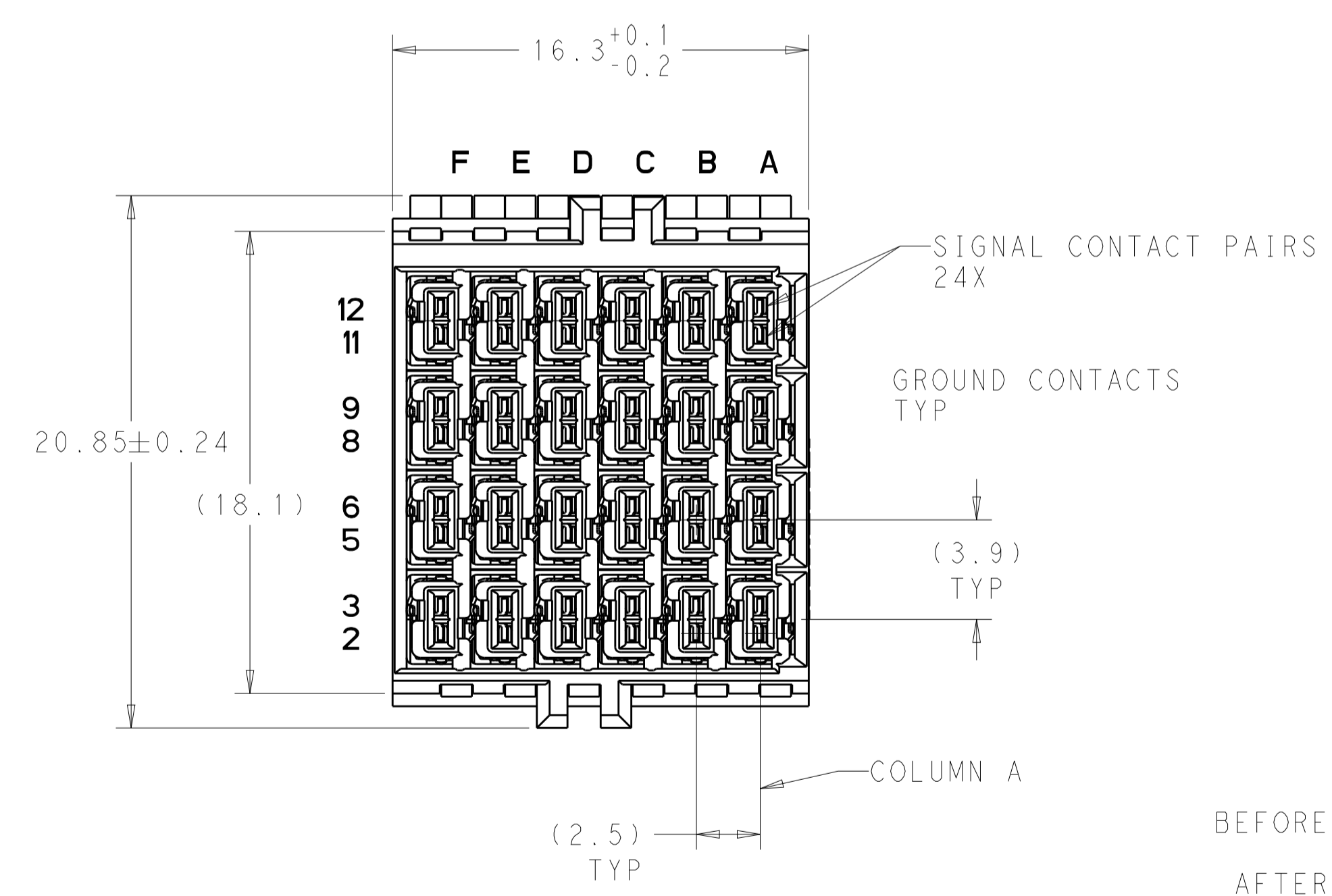


LOC	DIST	REVISIONS					
		P	LTN	DESCRIPTION	DATE	DMN	APVD
GP	00	A		RELEASED	09MAY2016	Y. K.	D. T.



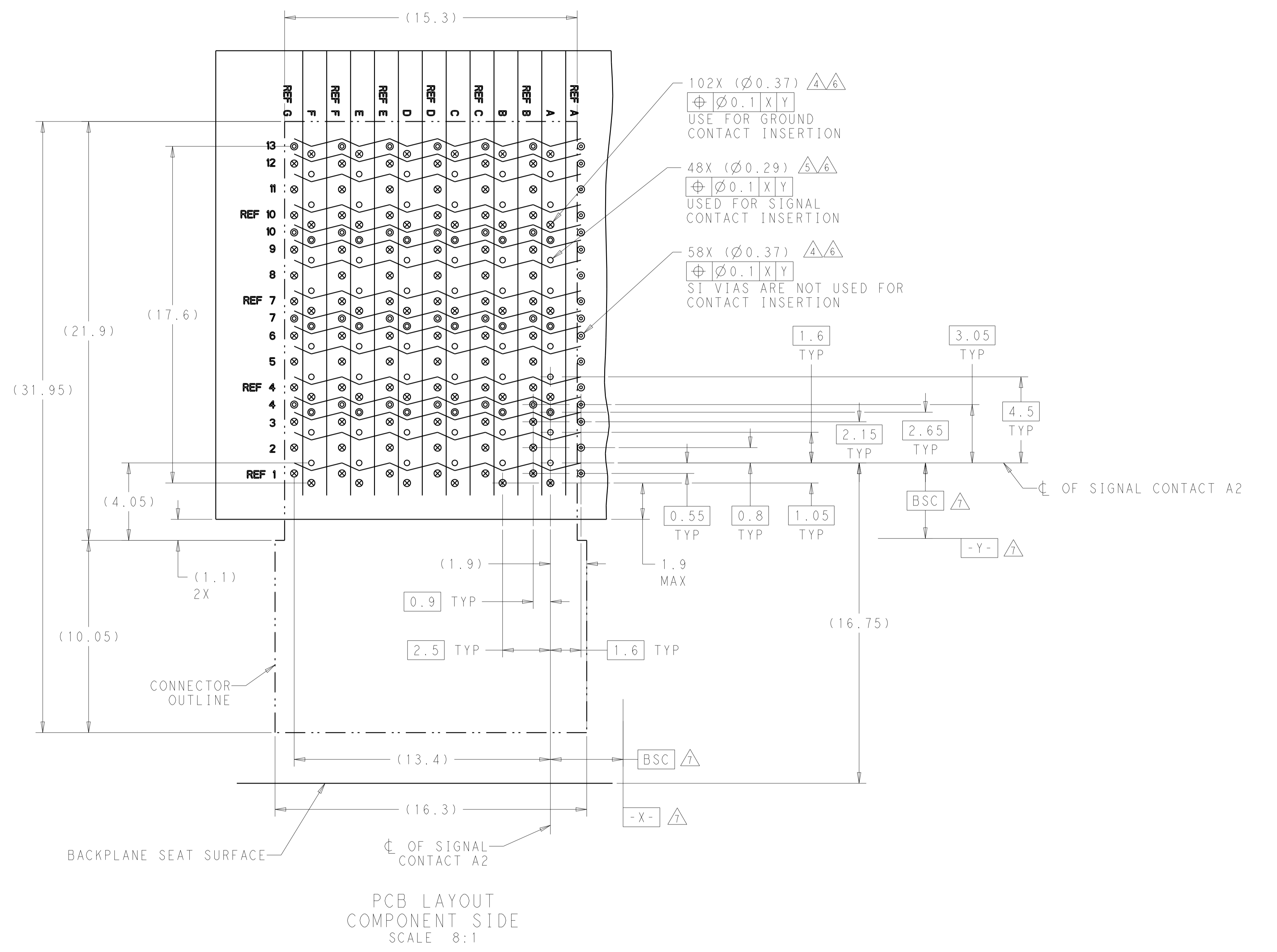
- 1 CONTACTS - COPPER ALLOY, HOUSING AND ORGANIZER -THERMOPLASTIC, UL94 V-O, BLACK
- 2 CONFORMS TO REQUIREMENTS OF TE PRODUCT SPECIFICATION 108-32021, BASED ON TELCORDIA GR-1217-CORE FOR SYSTEM QUALITY LEVEL III APPLICATIONS IN CONTROLLED ENVIRONMENTS (CENTRAL OFFICE).
- 3 CONNECTOR MARKED ON EITHER SIDE OF HOUSING WITH PART NUMBER AND DATE CODE IN APPROXIMATE AREA SHOWN.
- 4 PLATED THRU HOLE REQUIREMENTS:
 FINISHED HOLE = $\varnothing 0.370 \pm 0.050$
 DRILLED HOLE = $\varnothing 0.450 \pm 0.025$
 COPPER THICKNESS = 0.025 MINIMUM
 IMMERSION TIN IF APPLICABLE = 0.0006-0.0011
- 5 PLATED THRU HOLE REQUIREMENTS:
 FINISHED HOLE = $\varnothing 0.290 \pm 0.050$
 DRILLED HOLE = $\varnothing 0.368 \pm 0.025$ (#79 DRILL)
 COPPER THICKNESS = 0.025 MINIMUM
 IMMERSION TIN IF APPLICABLE = 0.0006-0.0011
- 6 PLATED THRU HOLE DIMENSIONS APPLY TO 1.00 DEPTH FROM MOUNT SIDE OF PCB.
- 7 DATUMS AND BASIC DIMENSIONS ESTABLISHED BY CUSTOMER.
- 8 DATAMATRIX BARCODE MARKING IN THIS AREA.



TIN	2274853-1
PRESS FIT TAIL PLATING	PART NO

THIS DRAWING IS A CONTROLLED DOCUMENT.		DMN Y. KODAIRA 09MAY2016	NAME RECEPTACLE ASSEMBLY, RIGHT ANGLE, 4 PAIR 6 COLUMN, 85 OHM PAIR-IN-COLUMN, STRADA WHISPER
DIMENSIONS: mm		CHK D. TROUT 09MAY2016	PRODUCT SPEC 2
TOLERANCES UNLESS OTHERWISE SPECIFIED: 0 PLC ± 1 PLC ± 2 PLC ±0.12 3 PLC ± 4 PLC ± ANGLES ±		APVD D. TROUT 09MAY2016	APPLICATION SPEC
MATERIAL SEE TABLE		WEIGHT	SIZE A100779C=2274853
FINISH SEE TABLE		Customer Drawing	RESTRICTED TO
SCALE 5:1		SHEET 1 OF 2	REV A

LOC	DIST	REVISIONS					
GP	00	P	LTN	DESCRIPTION	DATE	DWN	APVD
		-		SEE SHEET 1			



PCB LAYOUT
 COMPONENT SIDE
 SCALE 8:1

- = SIGNAL
- ⊗ = GROUND
- ⊙ = SIGNAL INTEGRITY VIA TO GROUND

THIS DRAWING IS A CONTROLLED DOCUMENT.		DWN	TE Connectivity	
DIMENSIONS:		CHK	NAME	
mm	TOLERANCES UNLESS OTHERWISE SPECIFIED:	APVD	RECEPTACLE ASSEMBLY, RIGHT ANGLE, 4 PAIR 6 COLUMN, 85 OHM PAIR-IN-COLUMN, STRADA WHISPER	
0 PLC	±	PRODUCT SPEC	SIZE CAGE CODE DRAWING NO RESTRICTED TO	
1 PLC	±0.12	APPLICATION SPEC	A100779C=2274853	
2 PLC	±	WEIGHT	SCALE NTS SHEET 2 OF 2 REV A	
3 PLC	±	Customer Drawing		
4 PLC	±			
ANGLES	±			
MATERIAL	FINISH			