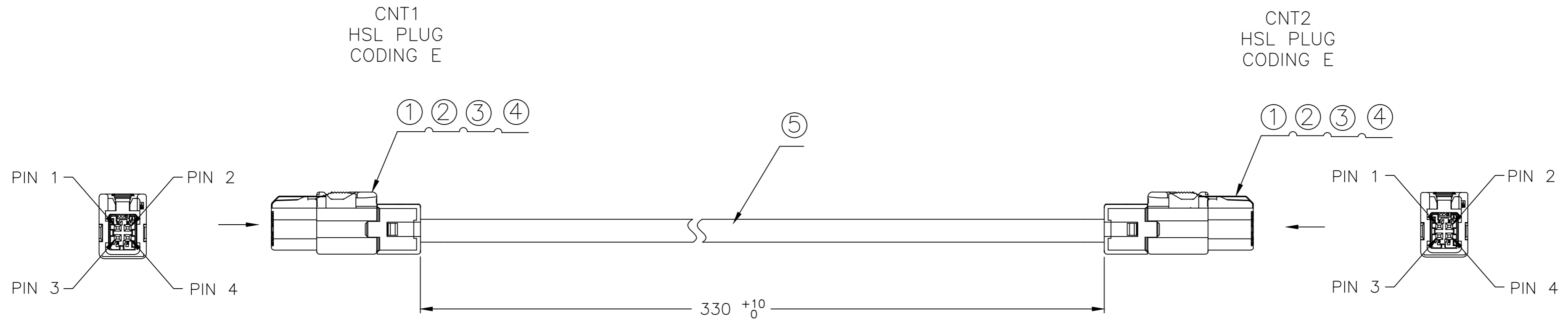


THIS DRAWING IS UNPUBLISHED. RELEASED FOR PUBLICATION
 © COPYRIGHT - 2 ALL RIGHTS RESERVED.

LOC		DIST		REVISIONS			
ES	00	P	LTR	DESCRIPTION	DATE	DWN	APVD
		A		RELEASED	28SEP2014	T.W	B.T



CNT1 PIN NO.	WIRE COLOR	FUNCTION	CNT2 PIN NO.
1	GREEN	SIGNAL+	1
2	WHITE	SIGNAL-	2
3	RED	ACC	3
4	BLACK	GND	4
SHIELD	BRAIDING	BRAIDING	SHIELD

- NOTE:
- ELECTRICAL TEST: 100% FOR CONTINUITY AND SHORT CIRCUIT (CONDUCTOR AND SCREEN). GENERALLY ELECTRICAL TEST ACCORDING TO TE SPECIFICATION 108-18857.
 - CABLE ASSEMBLY MEETS USB2.0 SPEC.
 - DIMENSION OF LENGTHS ARE EXTENDED LENGTHS.
 - WIRE POSITION SEE BESIDE TABLE
 - TE PART NUMBER: 2278376-1
 - TEMPERATURE RATE: -40 TO 85°C
 - CABLE INFO:
 DIFFERENTIAL IMPEDANCE: 90Ω±10%
 GREEN AND WHITE WIRES ARE TWISTED FOR SIGNAL
 CABLE IS COVERED BY BRAID SHIELDING.

QTY	U/M	DESCRIPTION	ITEM
-	MM	USB 2.0 CABLE, 1P+2C AWG24	6
4	PC	TERMINAL	5
2	PC	HSL SHELL ASSY	4
2	PC	HSL SUB ASSY	3
2	PC	HSL HOUSING CODE E	1

THIS DRAWING IS A CONTROLLED DOCUMENT.

DWN T.WANG 02APR2014	 TE Connectivity HSL-HSL CABLE ASSY FOR GW				
CHK P.WU 28SEP2014					
APVD B.TANG 28SEP2014					
NAME					
DIMENSIONS: mm	TOLERANCES UNLESS OTHERWISE SPECIFIED:	SIZE A2	CAGE CODE 00779	DRAWING NO C=2278376	RESTRICTED TO
0 PLC ±	1 PLC ± -	WEIGHT	SCALE	SHEET	1 of 1
2 PLC ± -	3 PLC ± -	CUSTOMER DRAWING	REV	A	
4 PLC ± -	ANGLES ± -				
MATERIAL	FINISH				