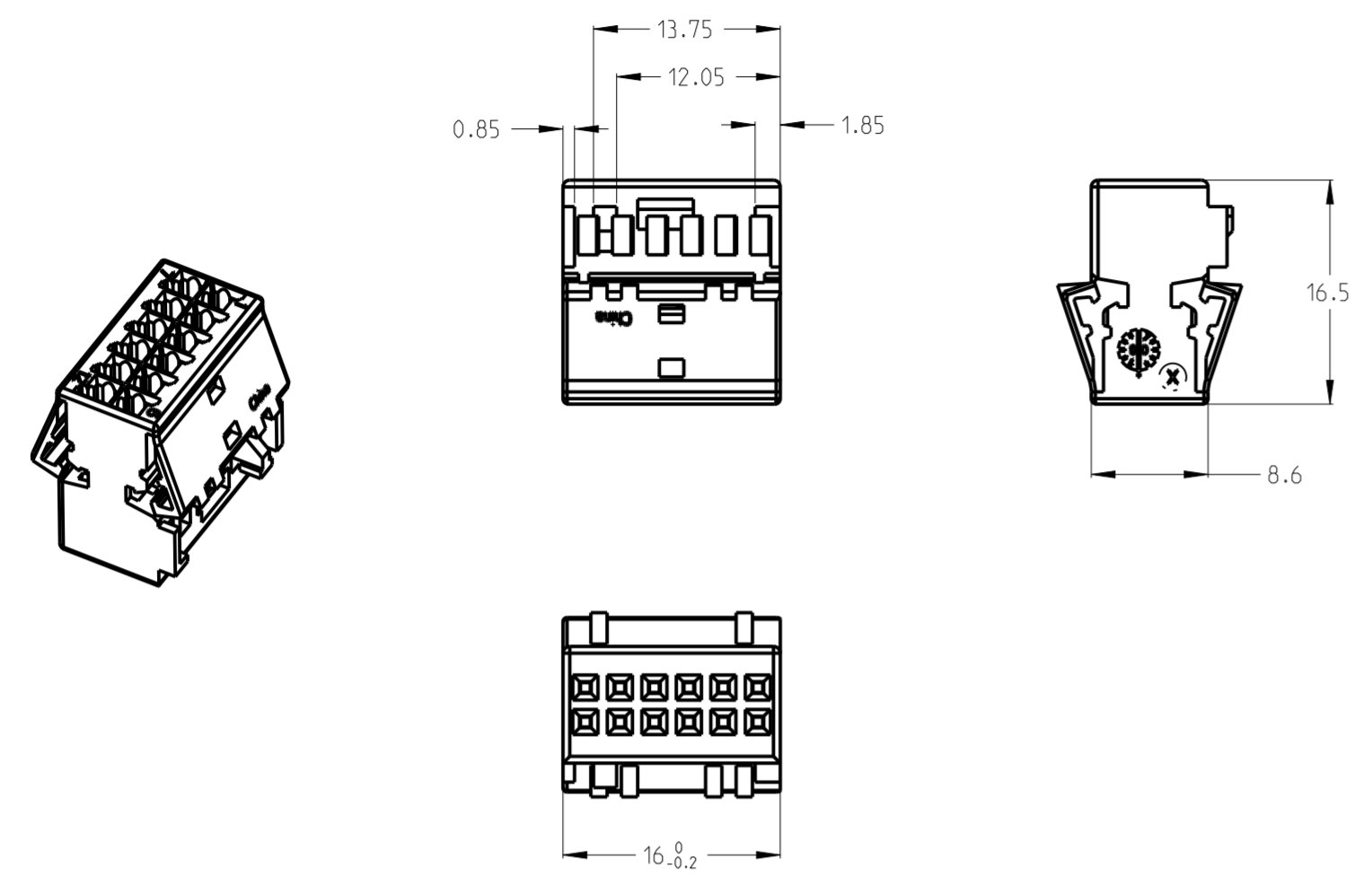


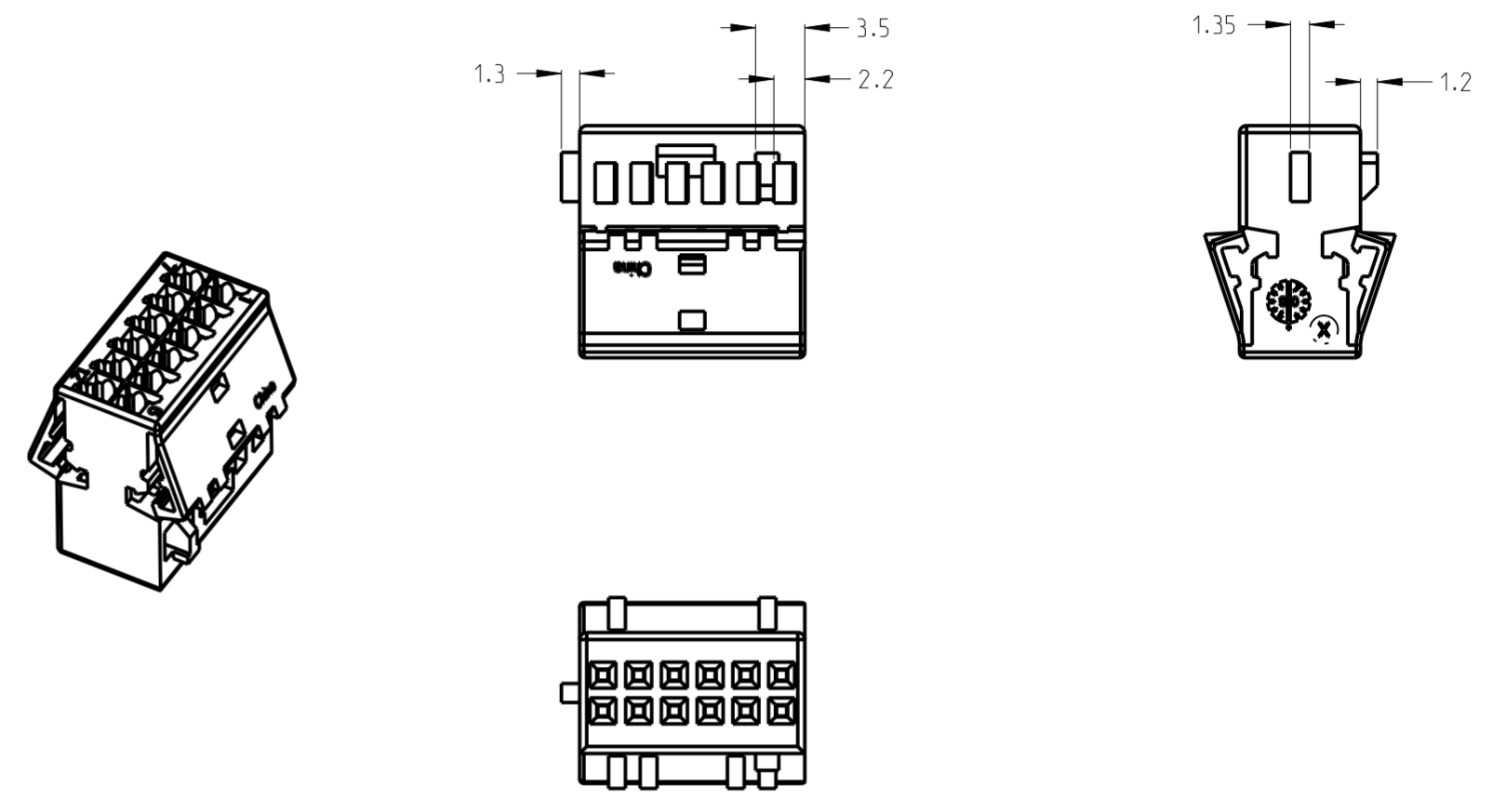
THIS DRAWING IS UNPUBLISHED. RELEASED FOR PUBLICATION  
 © COPYRIGHT 2014 BY TE Connectivity ALL RIGHTS RESERVED.

REVISIONS					
P	LTR	DESCRIPTION	DATE	DWN	APVD
	A1	NEW PRODUCT RELEASED	23JUL2014	T.D	S.W

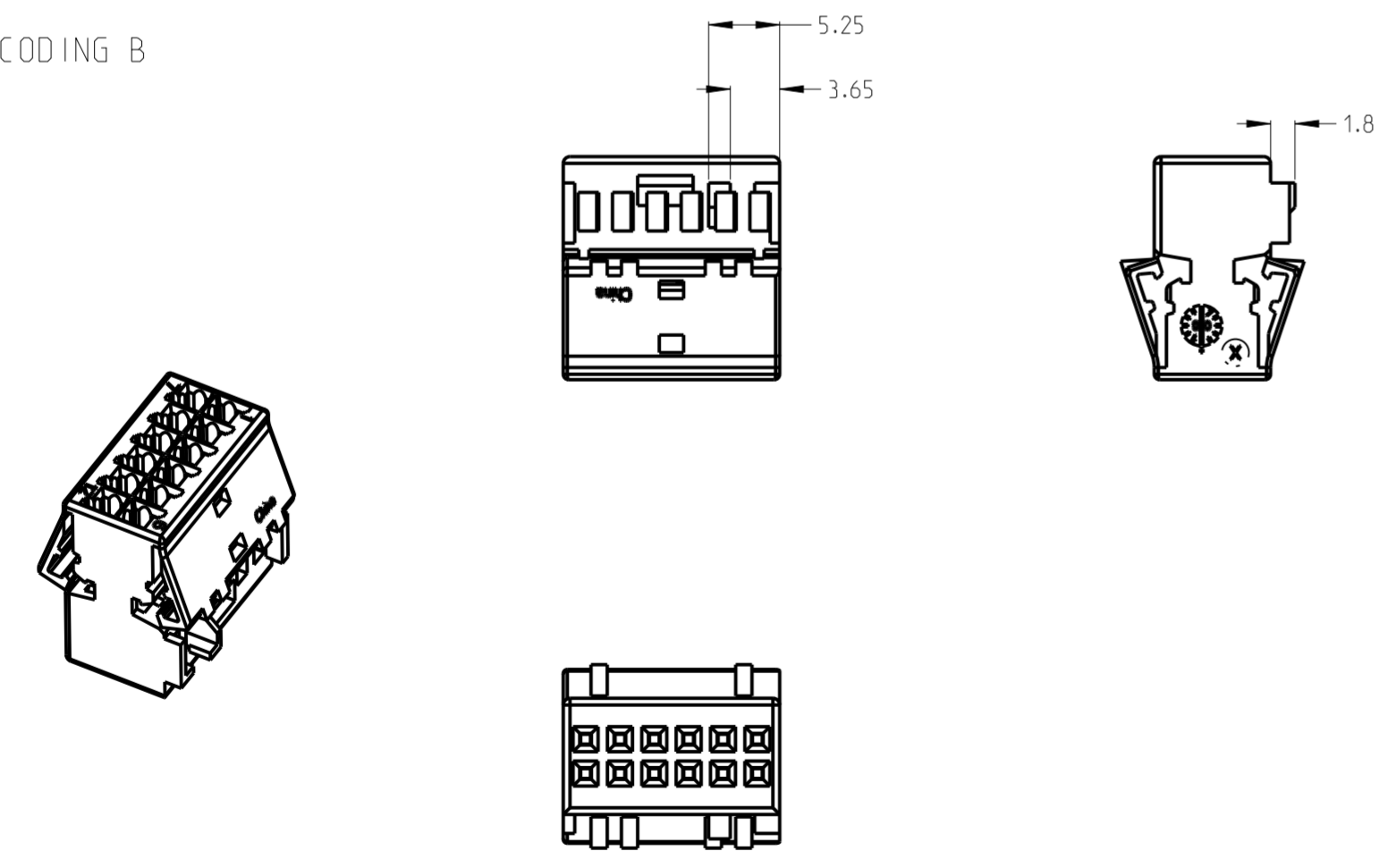
① CODING A



③ CODING C



② CODING B



NOTES

- ① DELIVERY CONDITION: LOOSE PEACE IN CARDBOX  
HOUSING WITH SECONDARY LOCK IN PRE-LOCKED CONDITION
- ② SPARE PART KIT, COMPONENTS SEE TABLE,  
SEALED IN NEUTRAL PLASTIC BAG WITH PART LABEL
- ③ USED WITH TE 0-2278599-1/-2/-3
- ④ SUITABLE TE MQS SOCKET CONTACT E.G. 928999, 963715

△	CODING	PART NO.	MATERIAL	COLOR	DESCRIPTION	QTY.	ITEM NO.
②	C	1-2278598-3	PBT-GF10	GREY RAL 7036	MQS HSG. 12POS.	1	3
	B	1-2278598-2	PBT-GF10	GREEN RAL 6018	MQS HSG. 12POS.	1	2
	A	1-2278598-1	PBT-GF10	BLUE RAL 5015	MQS HSG. 12POS.	1	1
①	C	2278598-3	PBT-GF10	GREY RAL 7036	MQS HSG. 12POS.	1	3
	B	2278598-2	PBT-GF10	GREEN RAL 6018	MQS HSG. 12POS.	1	2
	A	2278598-1	PBT-GF10	BLUE RAL 5015	MQS HSG. 12POS.	1	1

THIS DRAWING IS A CONTROLLED DOCUMENT.		DWN T.DONG 16JUL2014	TE Connectivity															
DIMENSIONS: mm		CHK H.YE 21JUL2014																
TOLERANCES UNLESS OTHERWISE SPECIFIED:		APVD S.WANG 23JUL2014	NAME -															
<table border="1"> <tr> <td>1 PLC</td> <td>±0.15</td> <td>ACC. TO</td> </tr> <tr> <td>2 PLC</td> <td>±0.2</td> <td>DIN 16901-140</td> </tr> <tr> <td>3 PLC</td> <td>±0.3</td> <td>CENTRIC TO NOMINAL DIM</td> </tr> <tr> <td>ANGLES</td> <td>±2°</td> <td></td> </tr> <tr> <td>FINISH</td> <td></td> <td></td> </tr> </table>		1 PLC	±0.15	ACC. TO	2 PLC	±0.2	DIN 16901-140	3 PLC	±0.3	CENTRIC TO NOMINAL DIM	ANGLES	±2°		FINISH			PRODUCT SPEC -	
1 PLC	±0.15	ACC. TO																
2 PLC	±0.2	DIN 16901-140																
3 PLC	±0.3	CENTRIC TO NOMINAL DIM																
ANGLES	±2°																	
FINISH																		
MATERIAL SEE TABLE		APPLICATION SPEC -	SIZE A2															
WEIGHT 1.74g		RESTRICTED TO -	CAGE CODE A2100779															
CUSTOMER DRAWING		SCALE 2:1	DRAWING NO. C-2278598															
		SHEET 1	REV A1															