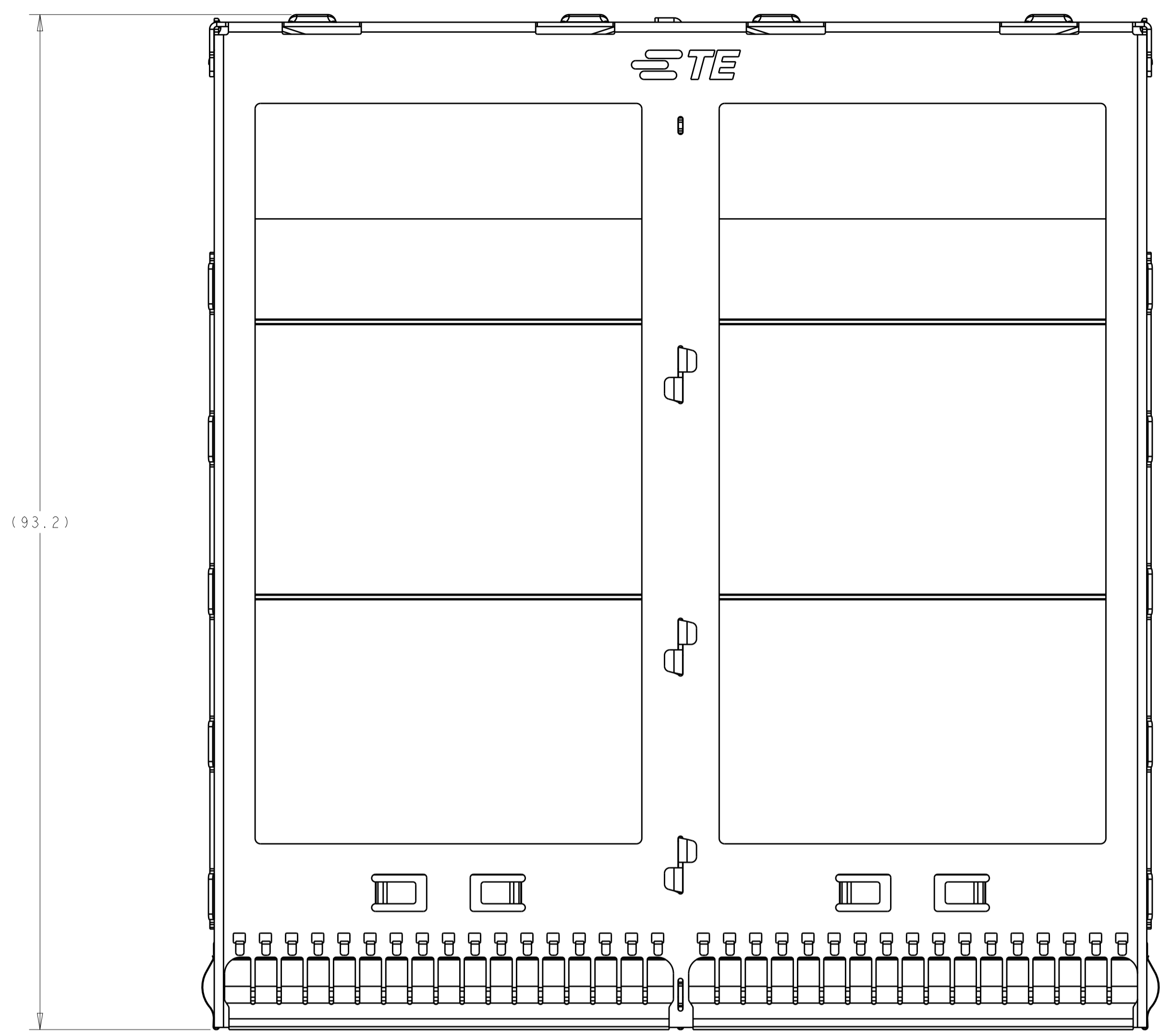
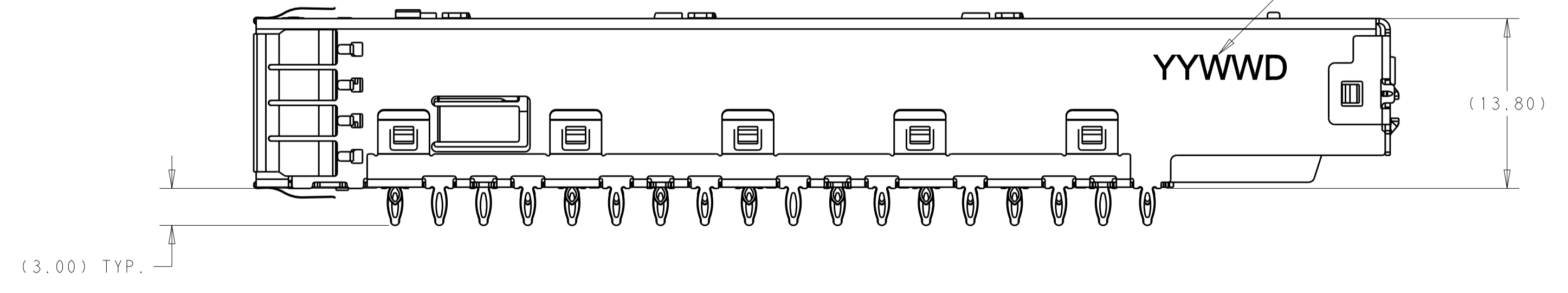
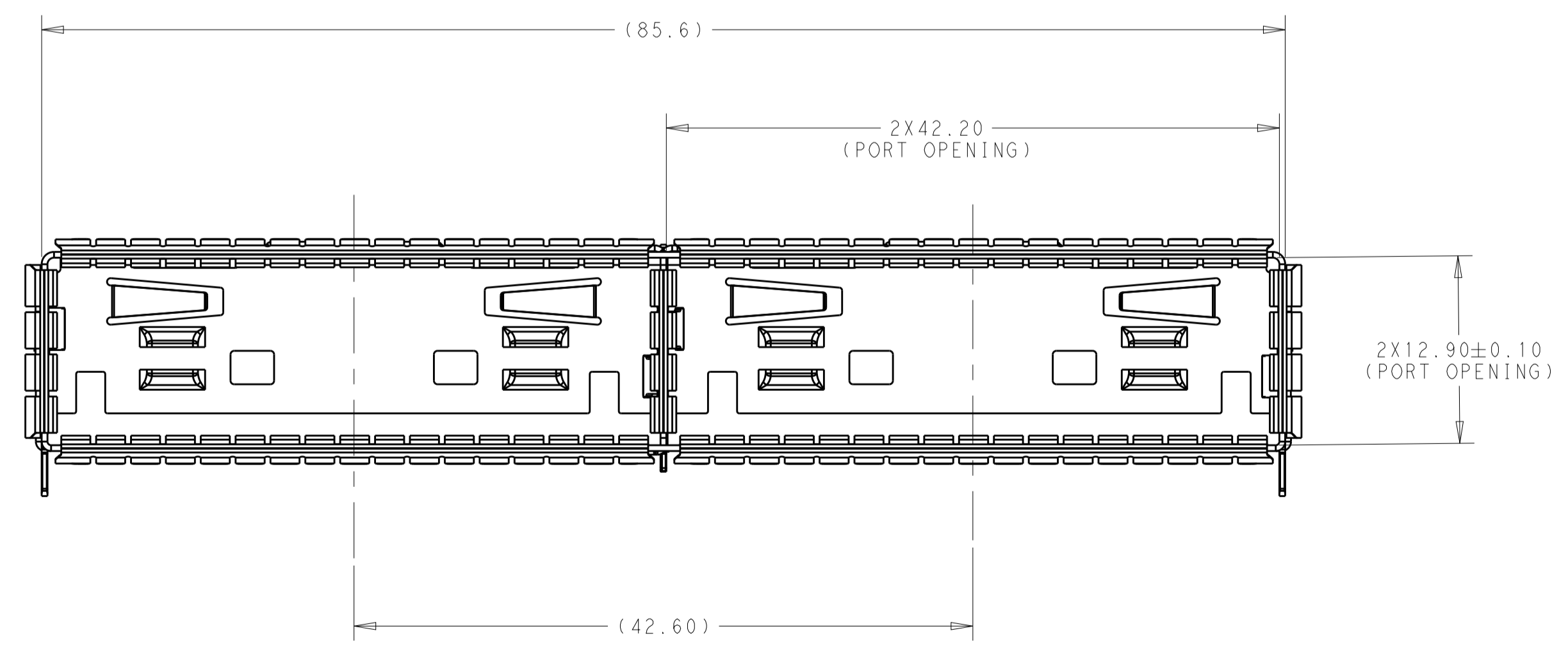
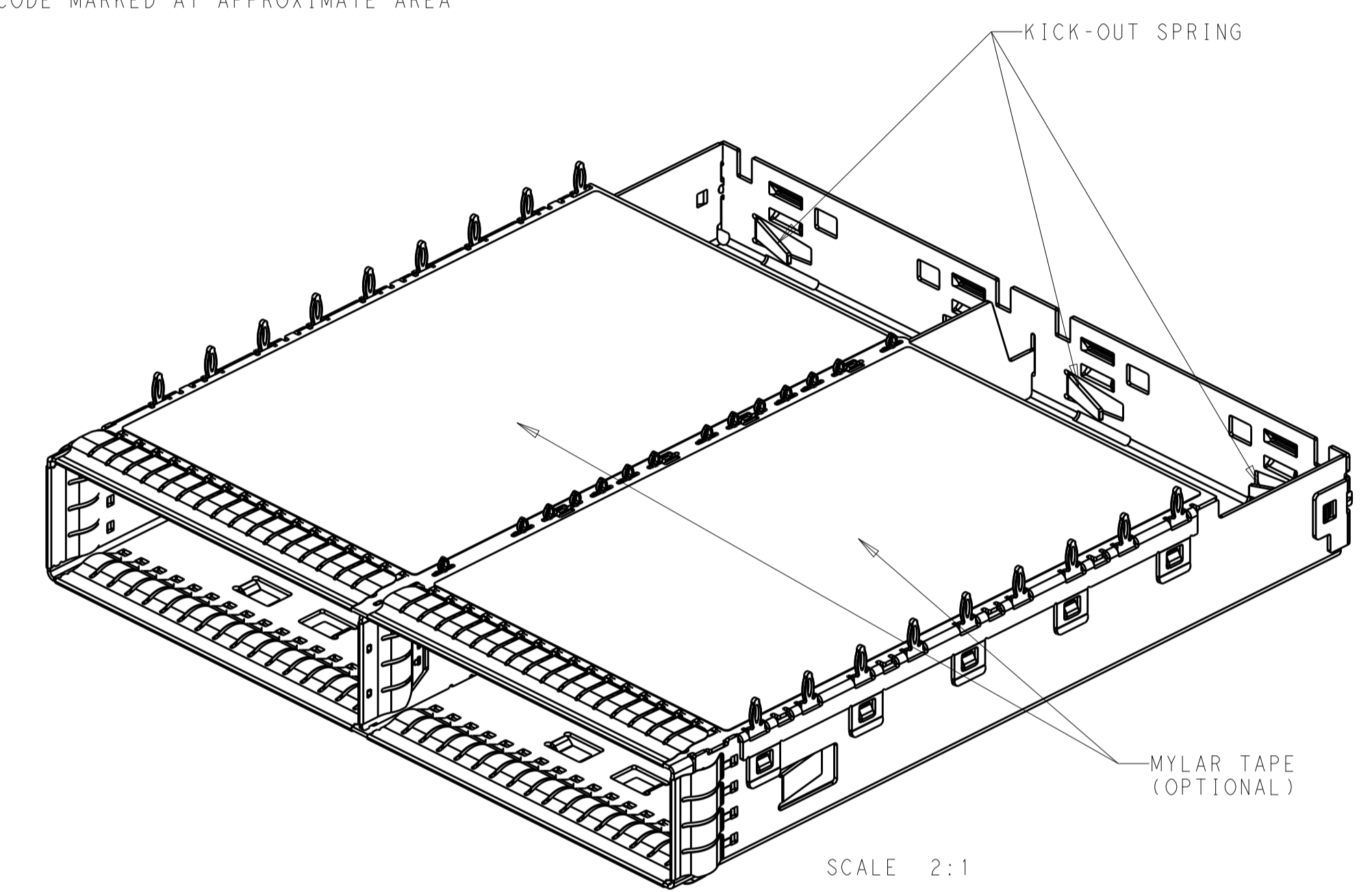


REVISIONS				
P.	LTN	DESCRIPTION	DATE	DWN APVD
A		RELEASED FOR MASS PRODUCTION	27AUG2018	TX SH



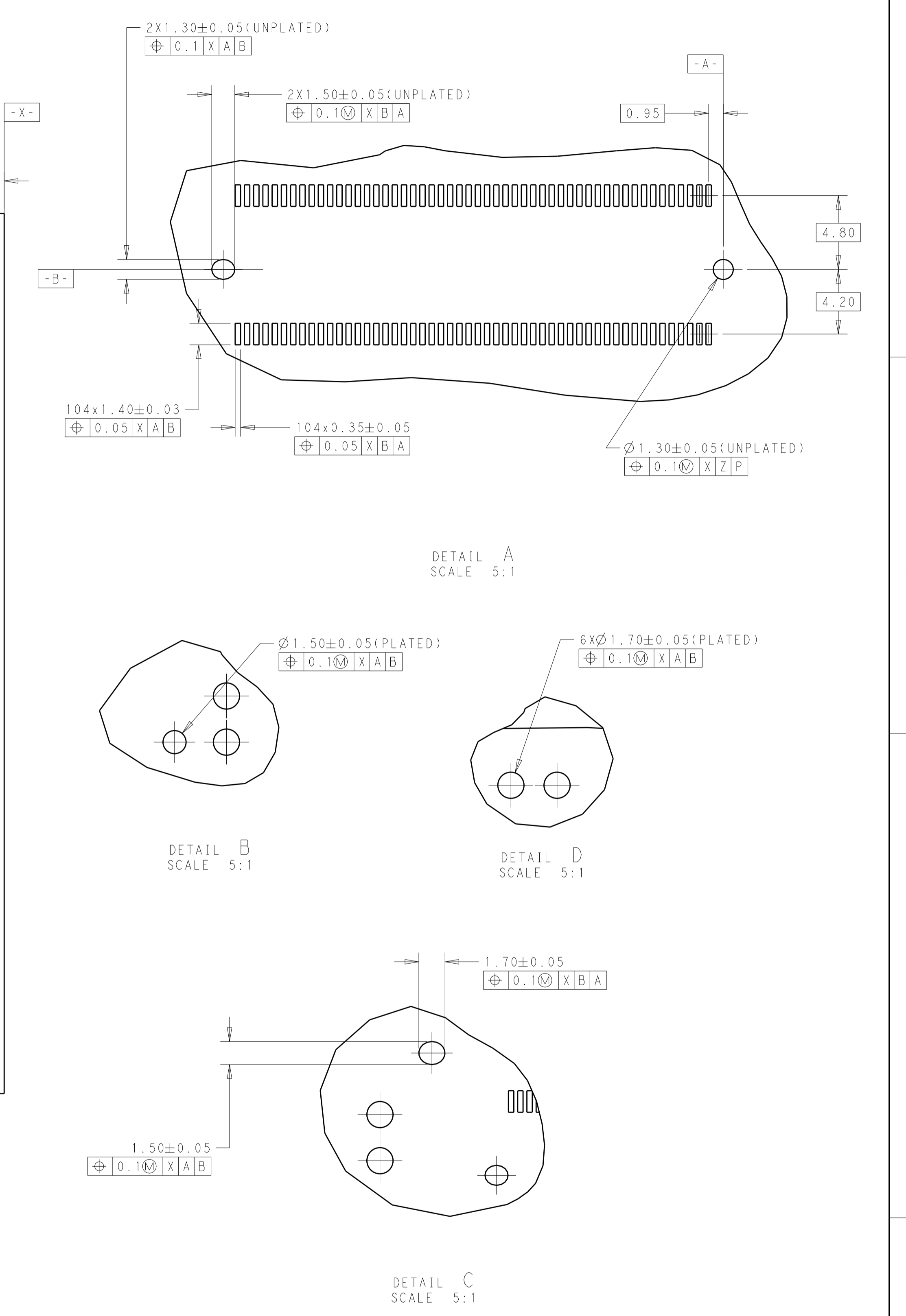
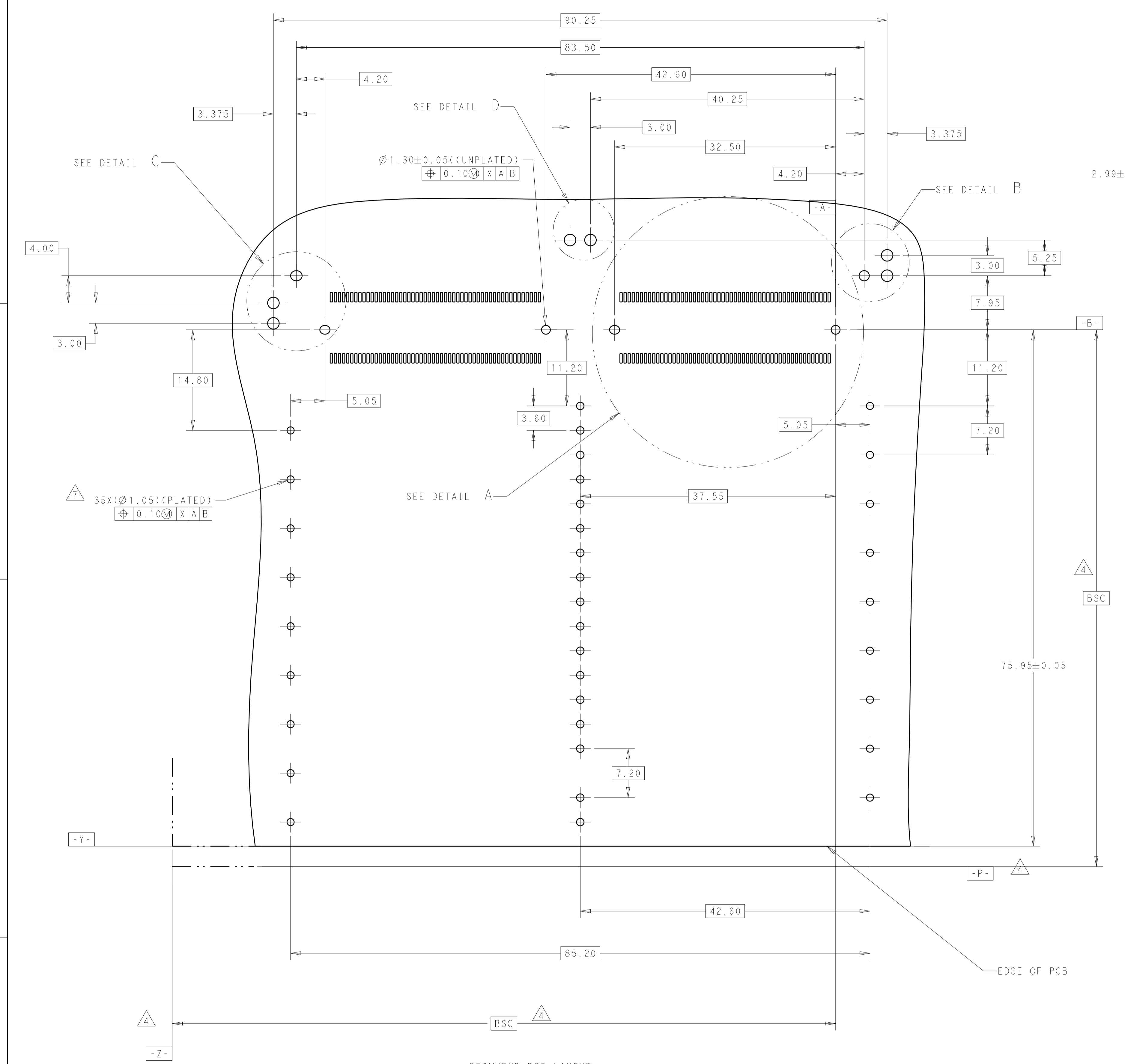
- 1 MATERIAL : CAGE :0.4MM THICK NICKEL SILVER ALLOY;
EMI SPRING: COPPER ALLOY;
- 2 FINISH: EMI SPRING 1.27um NICKEL PLATING OVER ALL;
3.MATES WITH CFP MSA COMPLIANT TRANSCEIVERS.
- 4 DATUM AND BASIC DIMENSION ESTABLISHED BY CUSTOMER.
- 5.MINIMUM PC BOARD THICKNESS: SIGLE SIDE APPLICATIONS:2.0mm.
BELLY TO BELLY APPLICAITON:3.0MM
- 6.PADS AND VIAS CHASSIS GROUND;
- 7:REFFERENCE APPLICATION SPEC 114-32146. FOR
RECOMMENDED DRILL HOLE DIAMETER AND PLATING THICKNESS.
- 8:DATE CODE MARKED AT APPROXIMATE AREA



WITHOUT	WITHOUT	2287076-6
WITH	WITH	2287076-4
WITH	WITHOUT	2287076-2
KICK-OUT SPRING	MYLAR TAPE	PART NUMBER

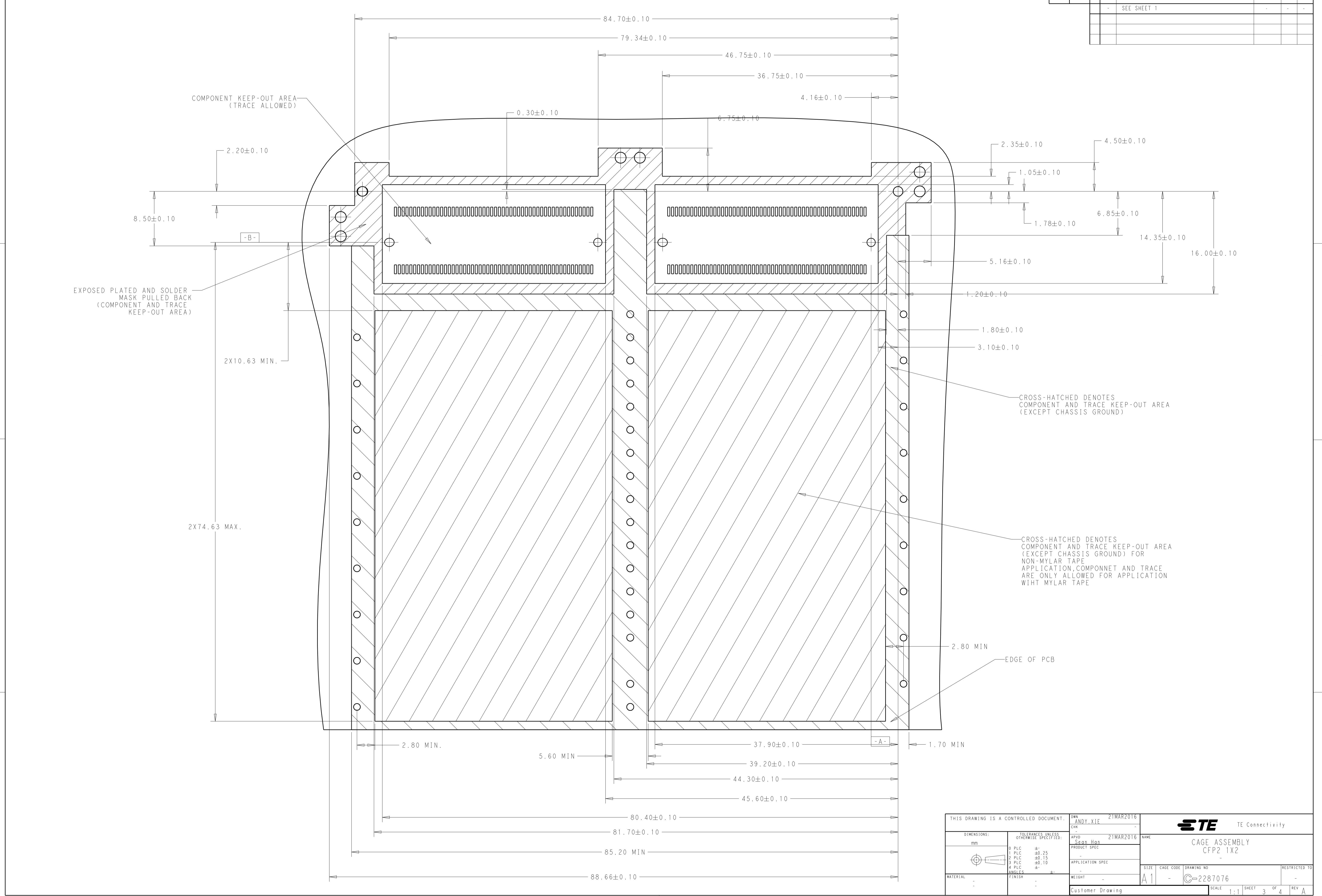
THIS DRAWING IS A CONTROLLED DOCUMENT.		DWN ANDY.XIE Z1MAR2016	STE TE Connectivity	
DIMENSIONS: mm		CHK -	NAME CAGE ASSEMBLY CFP2 1X2	
TOLERANCES UNLESS OTHERWISE SPECIFIED:		APVD SEAN HAN Z1MAR2016	SIZE A1	
0 PLC	±	PRODUCT SPEC	RESTRICTED TO	
1 PLC	±0.25	108-32103	A1	
2 PLC	±0.15	APPLICATION SPEC	SCALE 1:1 SHEET 1 OF 4 REV A	
3 PLC	±0.10	114-32146		
4 PLC	±	WEIGHT		
ANGLES	±	CUSTOMER DRAWING		
MATERIAL	FINISH			

LOC		DIST		REVISIONS			
GP	00	P	LTH	DESCRIPTION	DATE	DWN	APVD
		-	-	SEE SHEET 1	-	-	-



THIS DRAWING IS A CONTROLLED DOCUMENT.		DWN: ANDY.XIE ZIMAR2016	TE Connectivity
DIMENSIONS: mm		CHK: -	
TOLERANCES UNLESS OTHERWISE SPECIFIED: 0 PLC ±0.25 1 PLC ±0.15 2 PLC ±0.10 3 PLC ±0.10 4 PLC ±0.10 ANGLES ±°		APVD: Sean Han ZIMAR2016	NAME: CAGE ASSEMBLY CFP2 1X2
MATERIAL: -		FINISH: -	RESTRICTED TO: -
Customer Drawing		SCALE: 1:1	SHEET 2 OF 4 REV A

LOC		DIST		REVISIONS			
GP	00	P	LTN	DESCRIPTION	DATE	DMN	APVD
-	-	-	-	SEE SHEET 1	-	-	-



THIS DRAWING IS A CONTROLLED DOCUMENT.

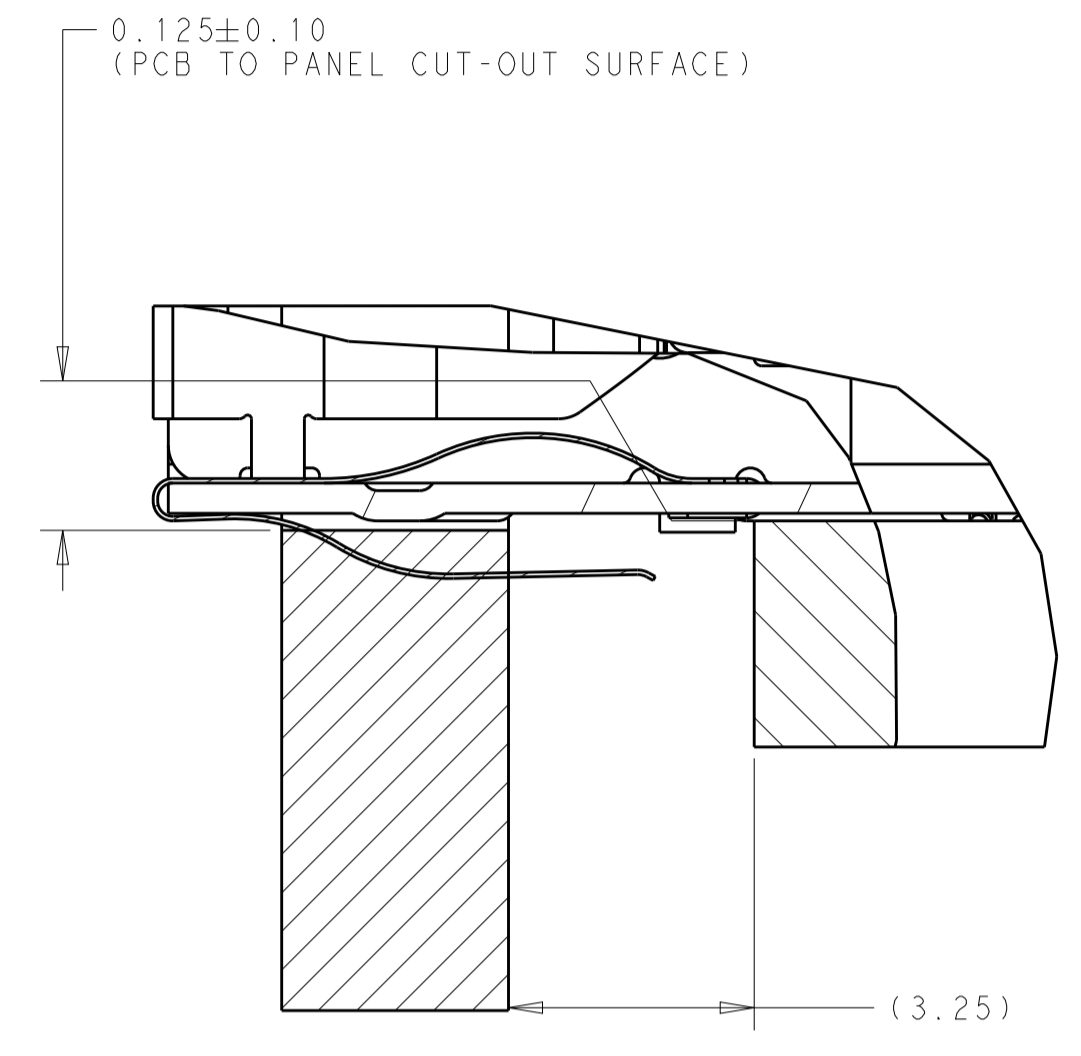
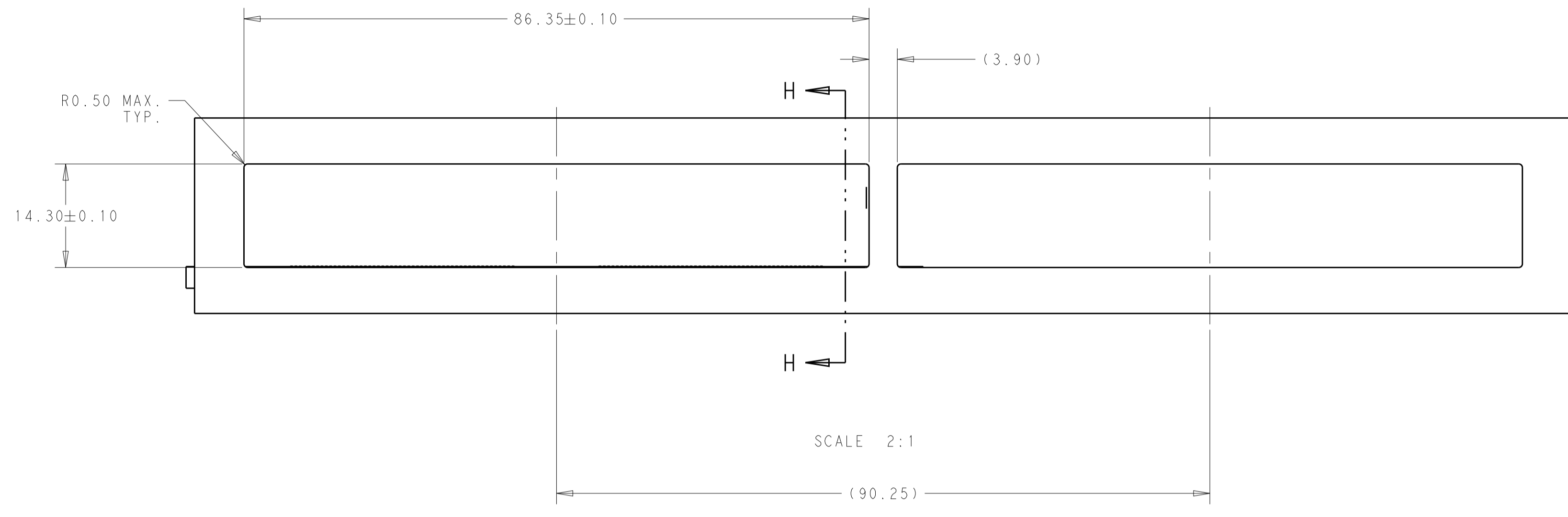
DIMENSIONS:	TOLERANCES UNLESS OTHERWISE SPECIFIED:	DMN	ANDY.XIE	Z1MAR2016
mm	0 PLC ±0.25	CHK	-	-
	1 PLC ±0.15	APVD	Sean Han	Z1MAR2016
	3 PLC ±0.10	PRODUCT SPEC	-	-
	4 PLC ±0.05	APPLICATION SPEC	-	-
	ANGLES ±0.10	WEIGHT	-	-
MATERIAL	FINISH	Customer Drawing	-	-

NAME: CAGE ASSEMBLY CFP2 1X2

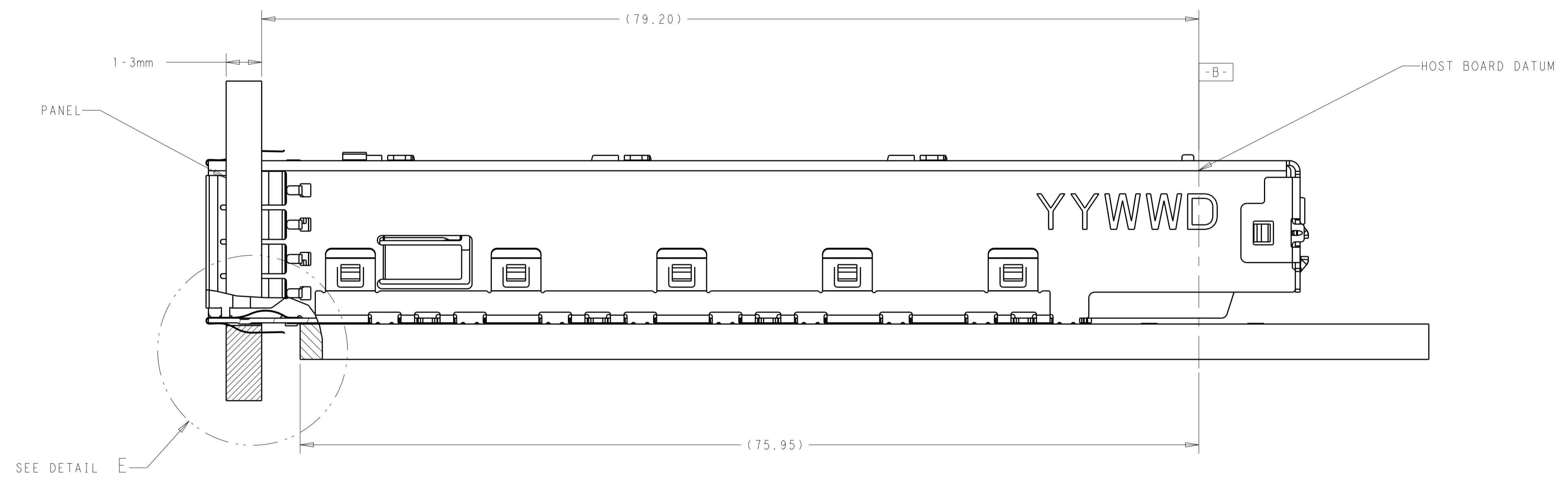
SIZE: A1 CAGE CODE: - DRAWING NO: C=2287076 RESTRICTED TO: -

SCALE: 1:1 SHEET 3 OF 4 REV A

LOC	DIST	REVISIONS			
P	LTN	DESCRIPTION	DATE	DMN	APVD
GP	00	SEE SHEET 1	-	-	-



DETAIL E
 SCALE 10:1



THIS DRAWING IS A CONTROLLED DOCUMENT.		DMN ANDY.XIE	ZIMAR2016	TE Connectivity	
DIMENSIONS:		CHK -	APVD Sean Han		
mm	TOLERANCES UNLESS OTHERWISE SPECIFIED:	PRODUCT SPEC		NAME CAGE ASSEMBLY CFP2 1X2	
0 PLC ±	1 PLC ±0.25	APPLICATION SPEC		SIZE A1	
2 PLC ±0.15	3 PLC ±0.10	FINISH		CAGE CODE C=2287076	
4 PLC ±	ANGLES ±	MATERIAL		RESTRICTED TO	
MATERIAL		WEIGHT		SCALE 1:1	
Customer Drawing		Customer Drawing		SHEET 4 OF 4	
				REV A	