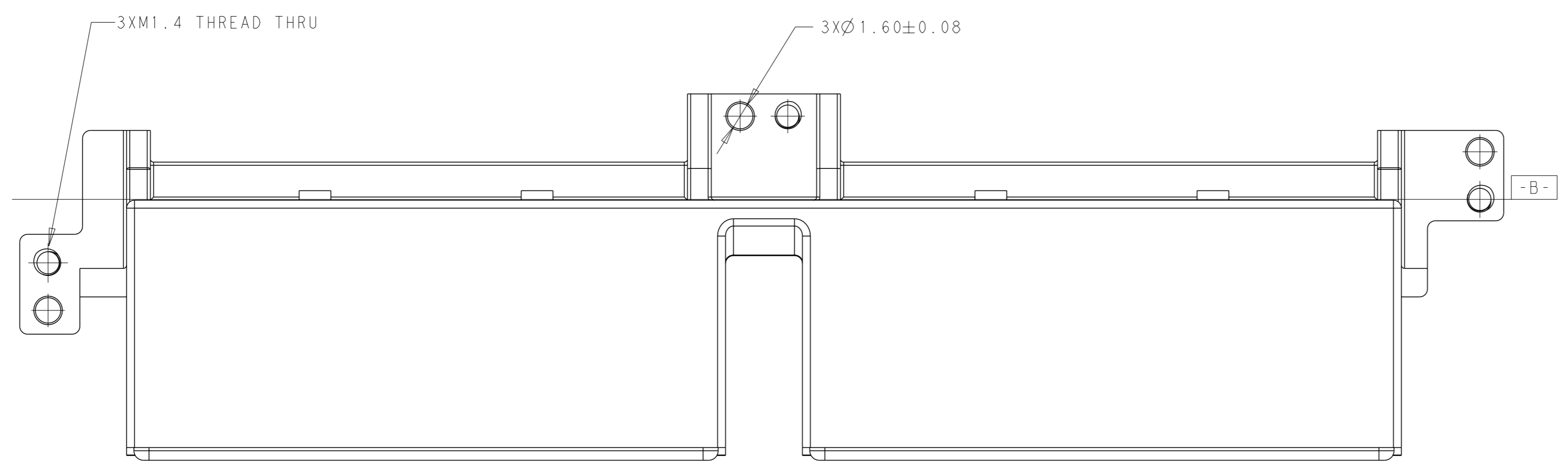
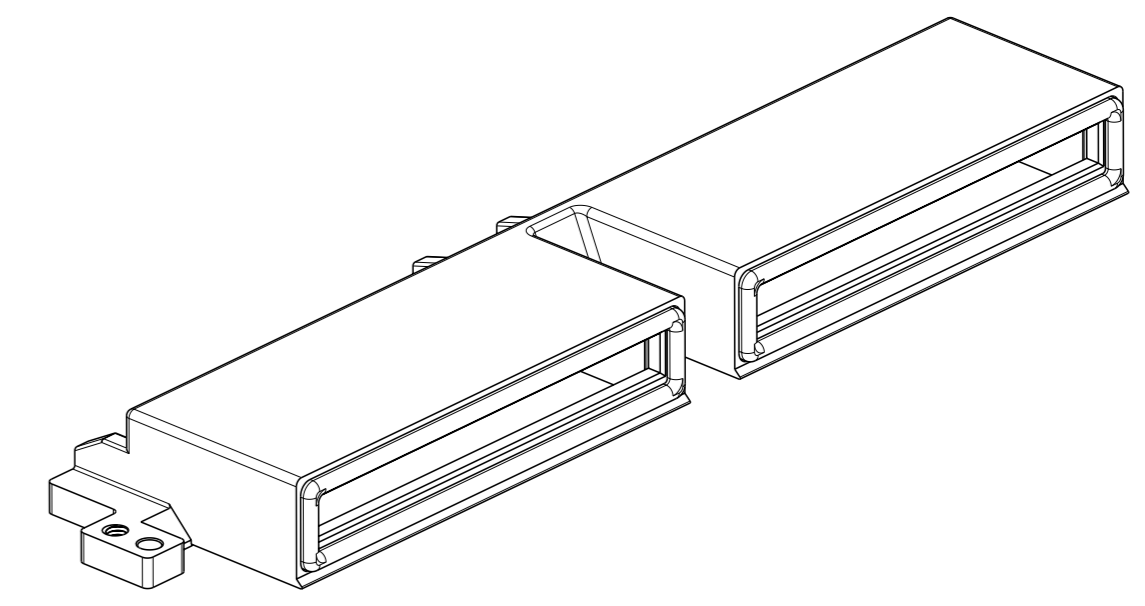
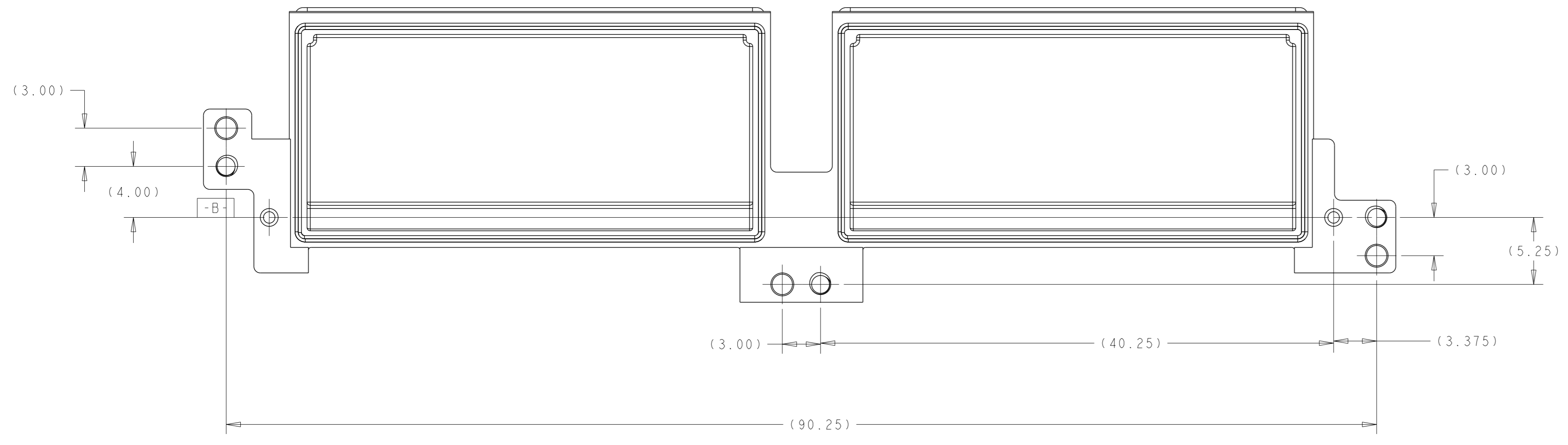
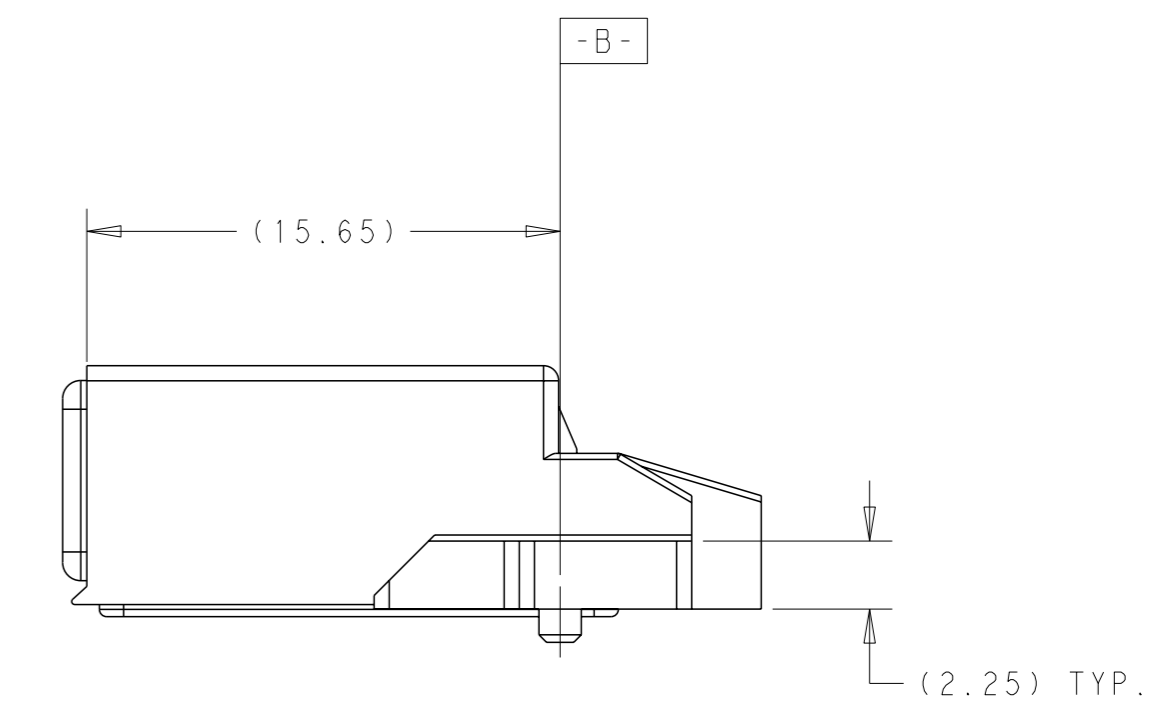
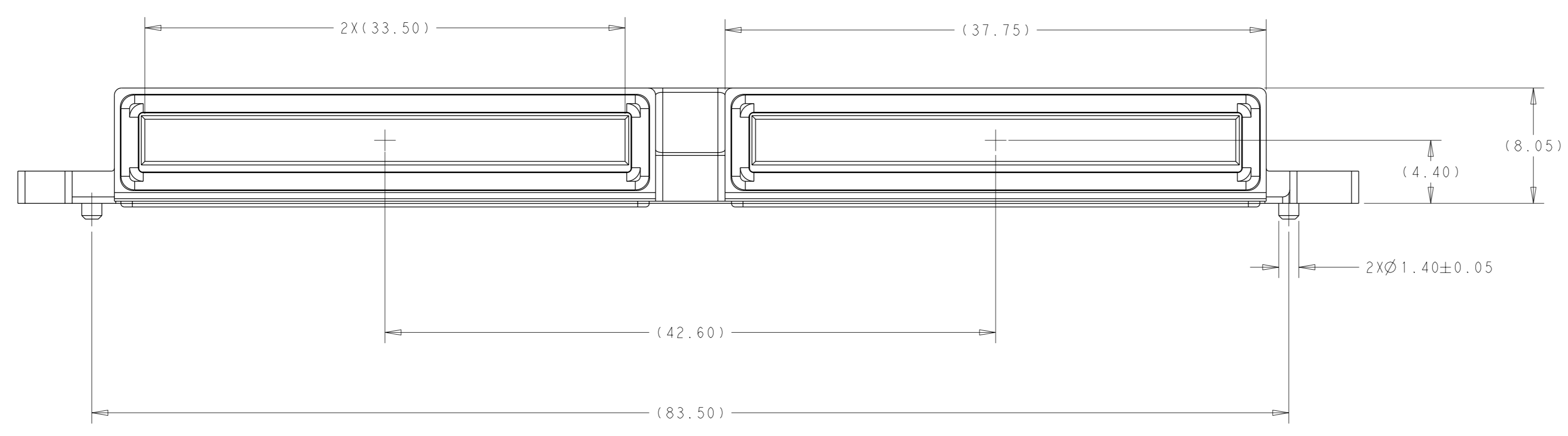


REVISIONS				
#	LY#	DESCRIPTION	DATE	OWN APVD
1		PRELIMINARY DRAWING	21MAR2016	AD SH
2		ADD HEIGHT DIMENSION	29APR2016	AD SH
A		DESIGN CHANGE AND FROMAL RELEASED	13AUG2020	IT SH



- 1 MATERIAL :RECEPTACLE COVER:ZINC ALLOY;
GASKET: SILICON
- 2 FINISH: RECEPTACLE COVER: 1.27µm MIN NICKEL PLATING OVER COPPER PLATING;
- 3.MATES WITH CFP MSA COMPLIANT TRANSCEIVERS.



2287077-2
PART NUMBER

THIS DRAWING IS A CONTROLLED DOCUMENT.		OWN ANDY.XIE Z1MAR2016	TE Connectivity	
DIMENSIONS: mm		CHK -		
TOLERANCES UNLESS OTHERWISE SPECIFIED:		APVD SEAN.HAN Z1MAR2016	NAME COVER ASSEMBLY CFP2 1X2	
0 PLC ± 1 PLC ±0.25 2 PLC ±0.15 3 PLC ±0.10 4 PLC ± ANGLES ±* FINISH -		PRODUCT SPEC -	RESTRICTED TO	
MATERIAL -		APPLICATION SPEC -	SIZE A1	CAGE CODE DRAWING NO. C=2287077
CUSTOMER DRAWING		WEIGHT -	SCALE 1:1	SHEET 1 OF 1 REV A