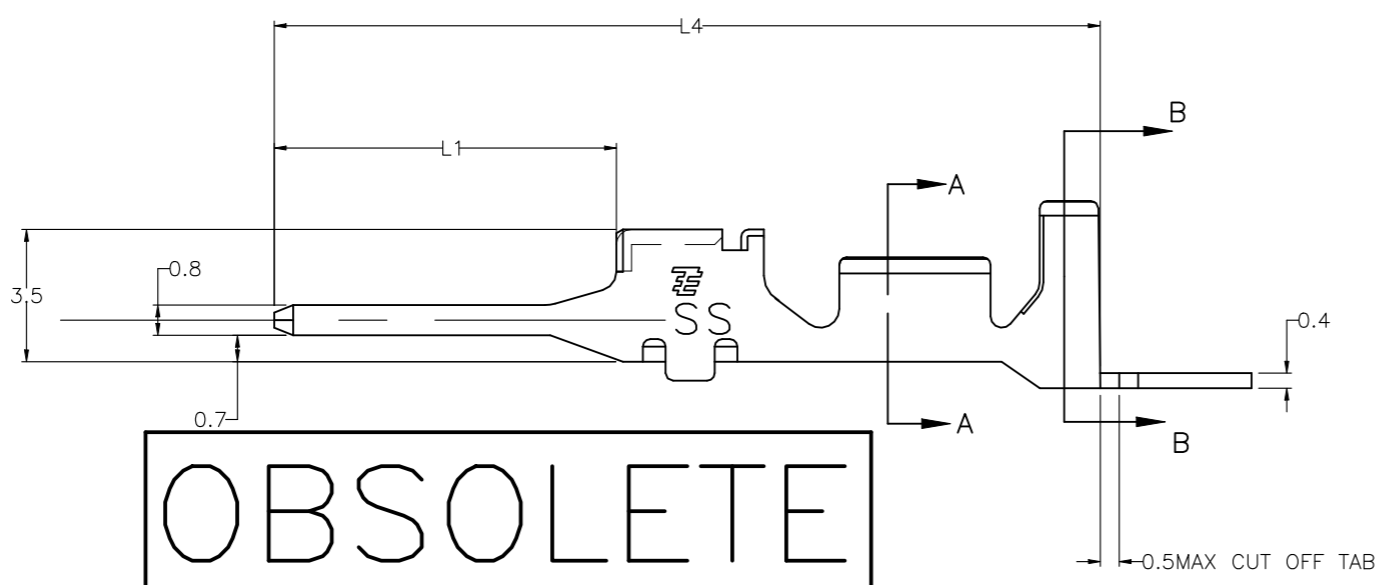
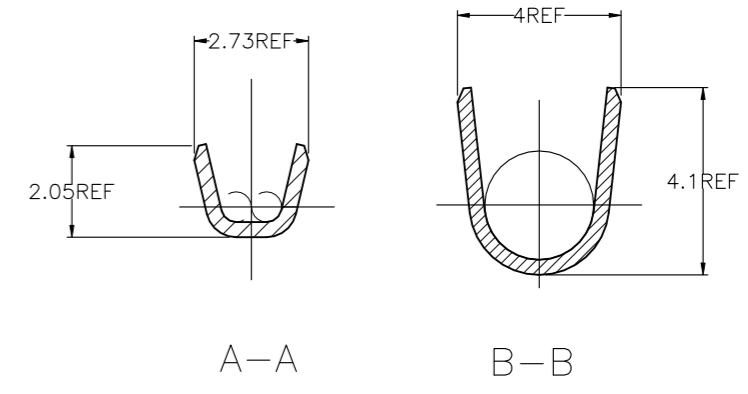
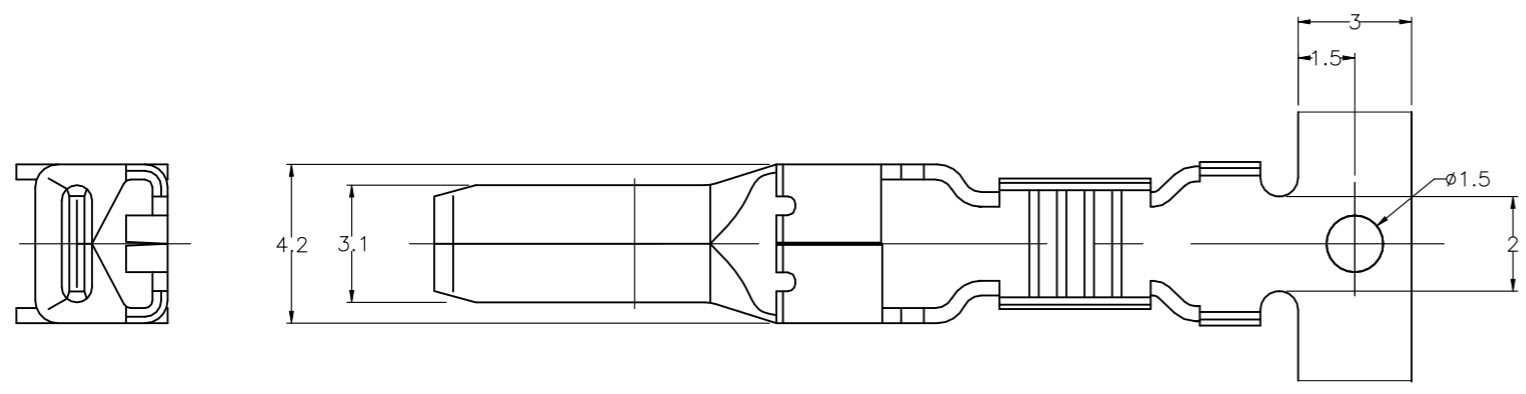


REVISIONS 変更					
P	LTR	DESCRIPTION	DATE	DWN	APVD
	A1	OBSOLETE	31MAY2022	Y.O	T.S



OBSOLETE

- NOTE:
- 1.GENERAL TOLERANCE: ± 0.25
 - 2.MATERIAL: COPPER ALLOY, FINISH: OVER NI PLATING 1.27um MIN.
(CONTACT AREA) 0.76um MIN GOLD PLATING
 - 3.APPLICABLE WIRE: AWG#22-#20 (INS DIA $\phi 1.58 \sim \phi 2.56$)

25.5	12.75	1-2287732-2
21.8	9.05	2287732-2
L4	L1	PART NUMBER

THIS DRAWING IS A CONTROLLED DOCUMENT.		DWN Z.SHEN 20FEB2015	TE Connectivity														
DIMENSIONS: 単位: 耗 mm		CHK M.HARASAWA 20FEB2015															
TOLERANCES UNLESS OTHERWISE SPECIFIED: 一般公差		APVD N.YAMASAKI 20FEB2015	NAME 名称														
<table border="1"> <tr><td>0 PLC</td><td>± -</td></tr> <tr><td>1 PLC</td><td>± -</td></tr> <tr><td>2 PLC</td><td>± -</td></tr> <tr><td>3 PLC</td><td>± -</td></tr> <tr><td>4 PLC</td><td>± -</td></tr> <tr><td>ANGLES</td><td>± -</td></tr> </table>		0 PLC	± -	1 PLC	± -	2 PLC	± -	3 PLC	± -	4 PLC	± -	ANGLES	± -	PRODUCT SPEC 製品規格 108-78182	DYNAMIC D4200 W-W TAB CONTACT SS SIZE		
0 PLC	± -																
1 PLC	± -																
2 PLC	± -																
3 PLC	± -																
4 PLC	± -																
ANGLES	± -																
MATERIAL 材料 SEE NOTE		APPLICATION SPEC 取付適用規格 114-5369	SIZE A3	CAGE CODE 00779	DRAWING NO 番号 C-2287732												
FINISH 仕上 SEE NOTE		WEIGHT 0.000000	RESTRICTED TO -														
CUSTOMER DRAWING			SCALE 尺度 5:1	SHEET 1 OF 1	REV A1												