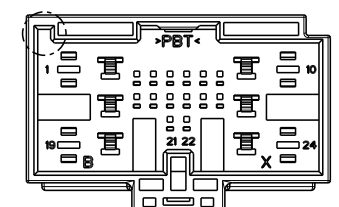
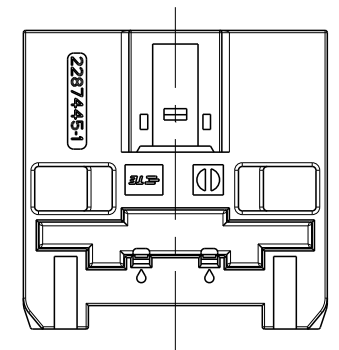


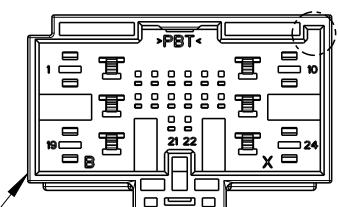
REVISIONS					
P	LTR	DESCRIPTION	DATE	DWN	APVD
A1		SEE ECR-15-003814	10MAR2015	-	RK
A2		SEE ECR-15-008763	01JUL2015	SB	RK
B		SEE ECR-22-156796	07NOV2022	MK	CP
B1		SEE ECR-24-212149	26JUN2024	SN	CP

CODE A

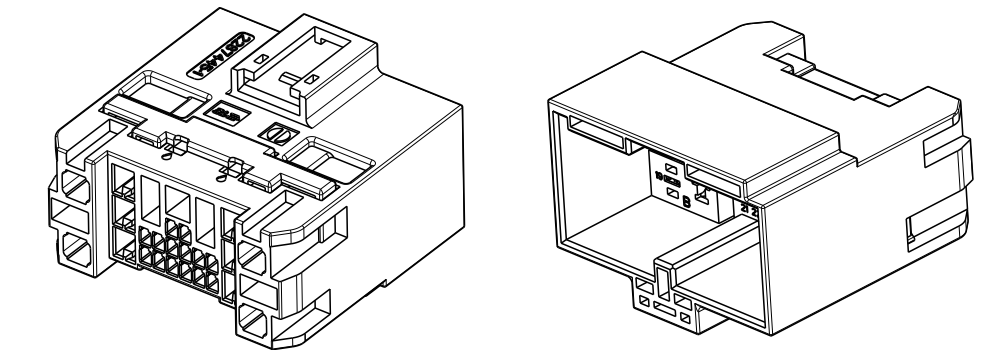
CODE B



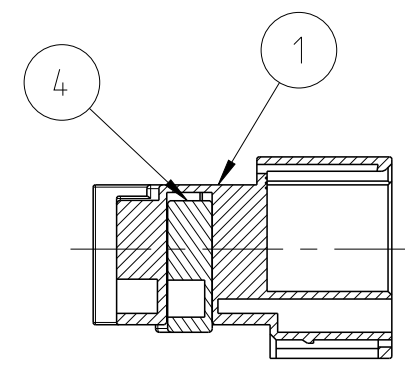
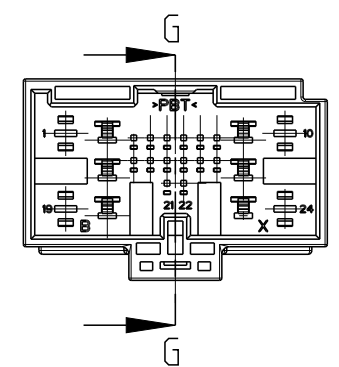
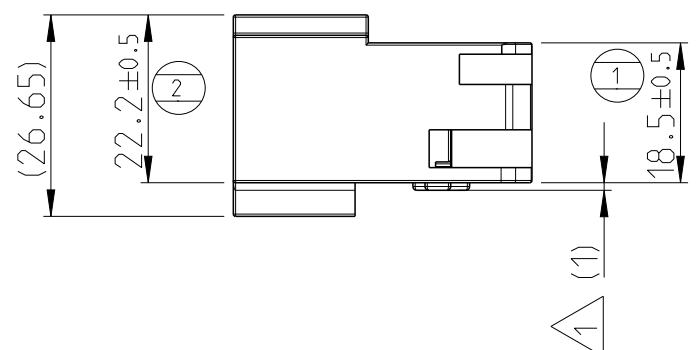
SCALE 1:1



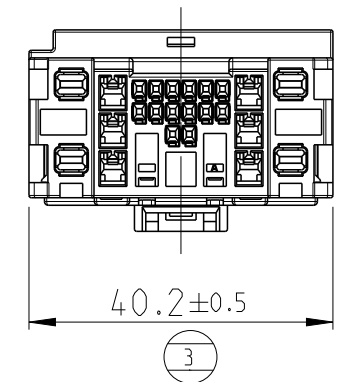
SCALE 1:1



3D VIEW SCALE 1:1



SECTION G-G

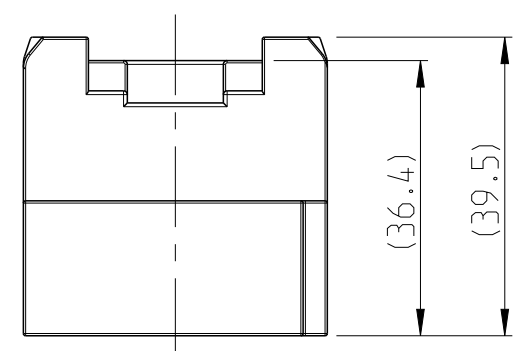


NOTE

- 1. CONDITION OF DELEVERY: DBL IN 1st LOCKING POSITION
- B1 2. MATED WITH PLUG HOUSING ASSEMBLY PART NO: 2287872-1 (CODE A) OR 2287872-2 (CODE B)
- 3. APPLICABLE TAB CONTACT P/N: TABLE 1
- 4. REGRIND MATERIAL PROCESSED IN CLOSED LOOP
- A1 5. UNSPECIFIED TOLERANCES AS PER DIN 16901-140.

TABLE 1

TYPE	FINISH	P/N	WIRE RANGE(mm)
.025	PRE-TIN	2005098-1	0.22
		2005154-1	0.3-0.5
.090	PRE-TIN	1897752-1	0.22-0.56
		368088-1	0.3-0.5
		368087-1	0.85-1.25
		368086-1	2.0-2.5
.110	PRE-TIN	1-962841-1	0.5-1.0
		1-962842-1	1.5-2.5
		1-968946-1	3.0



CODE B CODE A A2

SHOWN DRAWING IS FOR 2287871-1

QTY PER ASSY	CODE B	CODE A	PART NO	REV	DESCRIPTION	REGRIND	MATERIAL	COLOUR	ITEM NO
1	1		2219541-1	A	DBL HSG	-	PBT	NATURAL	4
-	-		2287445-3	B	CAP HSG, CODE C	15%	PBT	NATURAL	3
1	-		2287445-2	B	CAP HSG, CODE B	15%	PBT	GRAPHITE BLACK	2
-	1		2287445-1	B	CAP HSG, CODE A	15%	PBT	NATURAL	1
2287871-2	2287871-1		PART NO	REV	DESCRIPTION	REGRIND	MATERIAL	COLOUR	ITEM NO
B	B	REVISION OF EACH ASSY NO (WHEN BLANK, USE DWG REVISION)							

THIS DRAWING IS A CONTROLLED DOCUMENT.

DIMENSIONS: mm	TOLERANCES UNLESS OTHERWISE SPECIFIED:	DWN SUMIT B 17DEC2014	 TE Connectivity
	0 PLC ± 1 PLC ± 2 PLC ± 3 PLC ± 4 PLC ± ANGLES ± FINISH -	CHK RAJESH KOTI 17DEC2014	
		APVD RAMESH KUMAR 17DEC2014	
		PRODUCT SPEC	
MATERIAL SEE TABLE	FINISH -	APVD RAMESH KUMAR 17DEC2014	NAME 24 POS, MIXED, TAB HSG, 025, 090, 110, ASSY
		APPLICATION SPEC	SIZE A2
		WEIGHT 16.5 GM	CAGE CODE -
		Customer Drawing	DRAWING NO C-2287871
			RESTRICTED TO -
			SCALE 1:1 SHEET 1 OF 1 REV B1