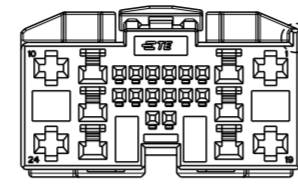


THIS DRAWING IS UNPUBLISHED. RELEASED FOR PUBLICATION 2014
 © COPYRIGHT 2014 BY - TE CONNECTIVITY INDIA PVT. LTD. ALL RIGHTS RESERVED.

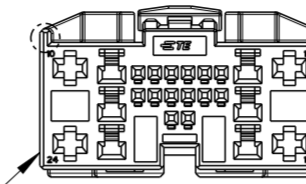
REVISIONS					
P	LTR	DESCRIPTION	DATE	DWN	APVD
A1		SEE ECR-15-003814	10MAR2015	SB	RK
A2		SEE ECR-15-008763	01JUL2015	SB	RK
B		SEE ECR-22-156796	07NOV2022	MK	CP
B1		SEE ECR-24-212149	26JUN2024	SN	CP

CODE A

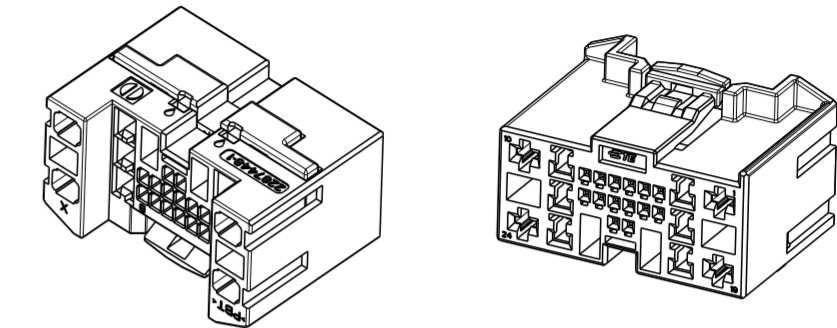
CODE B



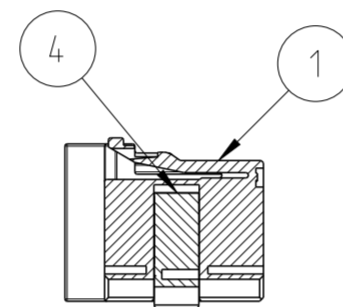
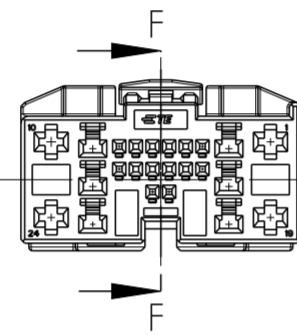
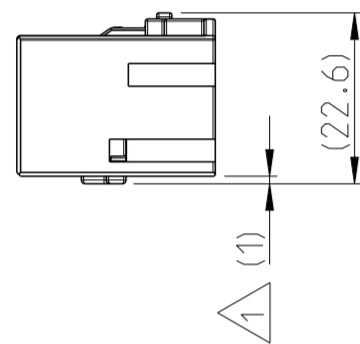
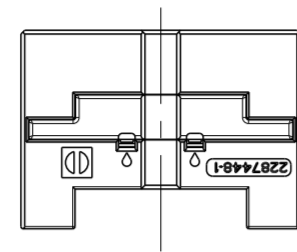
SCALE 1:1



SCALE 1:1



3D VIEW
SCALE 1:1



SECTION F-F

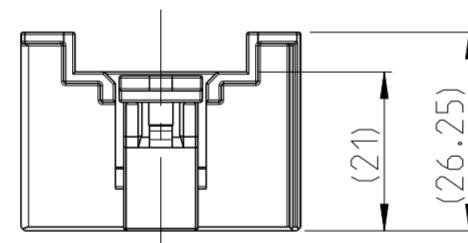
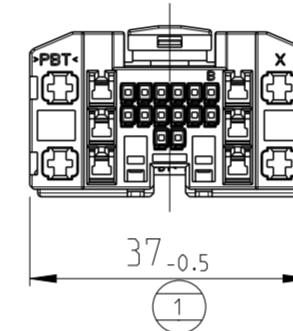


TABLE 1

TYPE	FINISH	P/N	WIRE RANGE(mm)
.025	PRE-TIN	2005097-1	0.22
		2005427-1	0.3-0.5
.090	PRE-TIN	1897753-1	0.22-0.56
		1743654-1	0.3-0.5
		1743655-1	0.75-1.25
		1743656-1	1.5-2.0
		1897598-1	2.5
.110	PRE-TIN	1-968849-1	0.5-1.0
		1-968851-1	1.0-2.5
		1-968853-1	3.0

NOTE

- 1 CONDITION OF DELEVRY: DBL IN 1st LOCKING POSITION
- B1 2. MATED WITH CAP HOUSING ASSEMBLY PART NO: 2287871-1 (CODE A) OR 2287871-2 (CODE B)
- 3. APPLICABLE REC CONTACT P/N: TABLE 1
- 4. REGRIND MATERIAL PROCESSED IN CLOSED LOOP.
- A1 5. UNSPECIFIED TOLERANCES AS PER DIN 16901-140.

CODE B	CODE A	A2	SHOWN DRAWING IS FOR 2287872-1						
1	1	2219540-1	A	DBL HSG	-	PBT	NATURAL	4	
-	-	2287448-3	B	PLUG HSG, CODE C	15%	PBT	NATURAL	3	
1	-	2287448-2	B	PLUG HSG, CODE B	15%	PBT	BLACK	2	
-	1	2287448-1	B	PLUG HSG, CODE A	15%	PBT	NATURAL	1	
2287872-2	2287872-1	PART NO	REV	DESCRIPTION	REGRIND	MATERIAL	COLOUR	ITEM NO	
B	B	REVISION OF EACH ASSY NO (WHEN BLANK, USE DWG REVISION)							
QTY PER ASSY			PARTS LIST						

THIS DRAWING IS A CONTROLLED DOCUMENT.		DWN SUMIT B 19DEC2014		TE Connectivity
DIMENSIONS: mm		CHK RAJESH KOTI 19DEC2014		
TOLERANCES UNLESS OTHERWISE SPECIFIED:		APVD RAMESH KUMAR 19DEC2014	NAME 24 POS, MIXED, REC HSG, 025, 090, 110, ASSY	
0 PLC ±		PRODUCT SPEC	SIZE	CAGE CODE
1 PLC ±		APPLICATION SPEC	DRAWING NO	RESTRICTED TO
2 PLC ±		WEIGHT	10.45 GM	A2 00779
3 PLC ±		CUSTOMER DRAWING	SCALE	1:1
4 PLC ±			SHEET	1 OF 1
ANGLES ±			REV	B1
FINISH				
MATERIAL SEE TABLE				