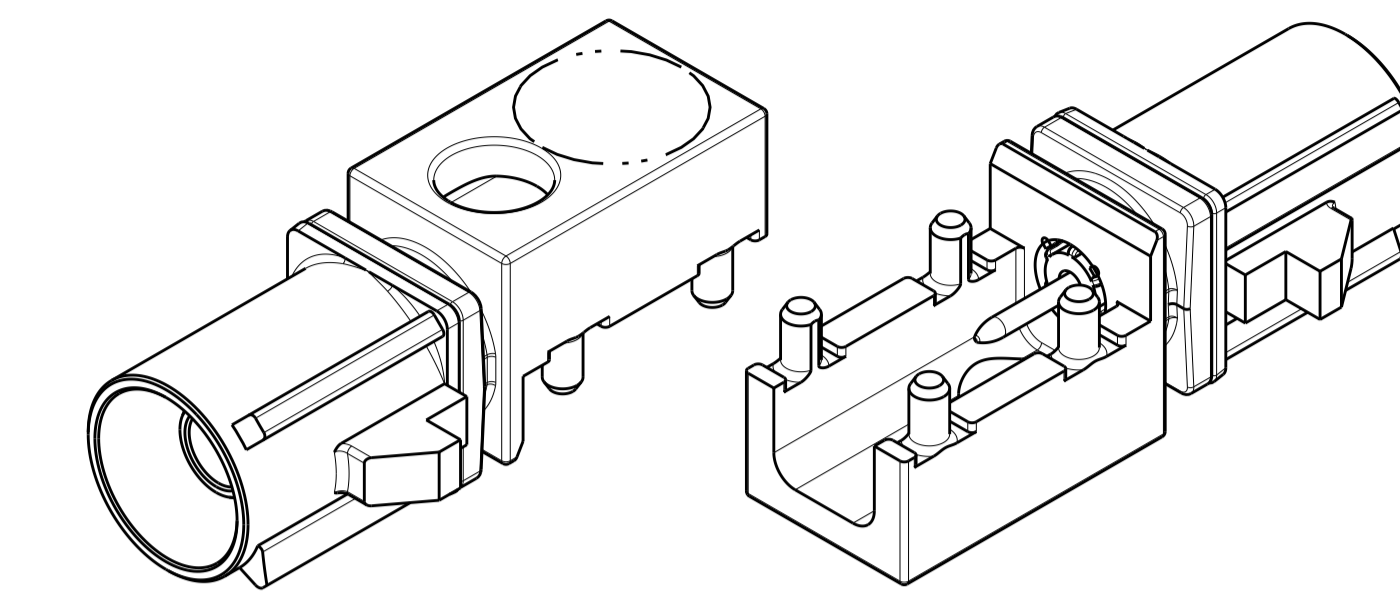
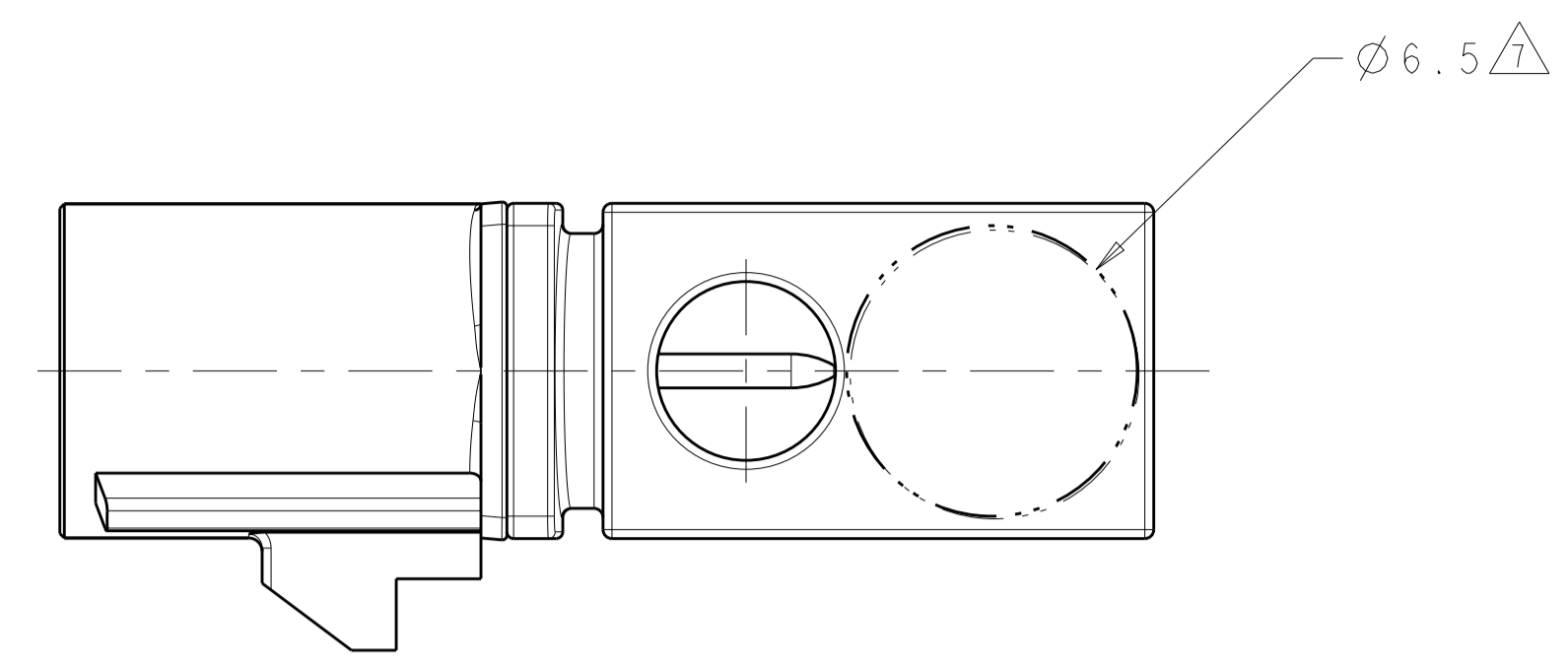
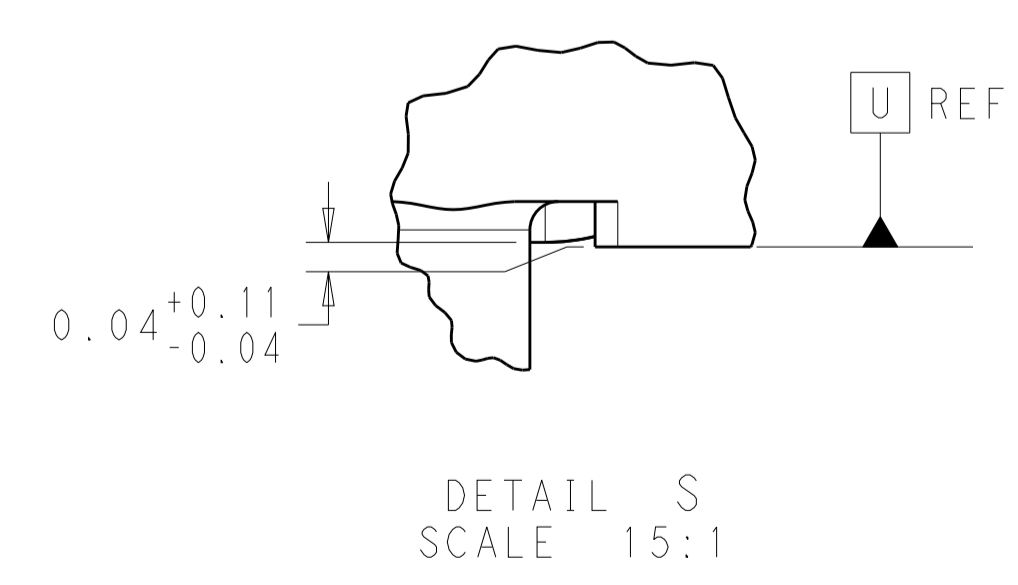
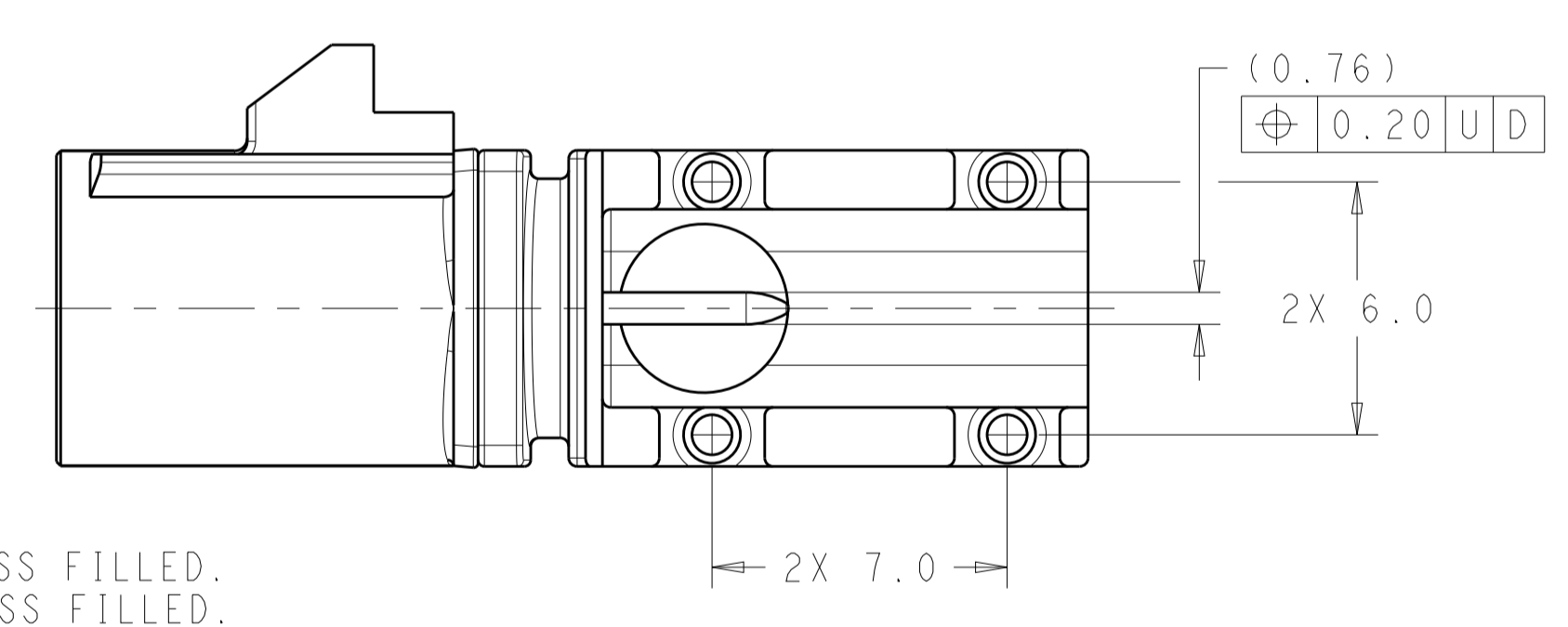
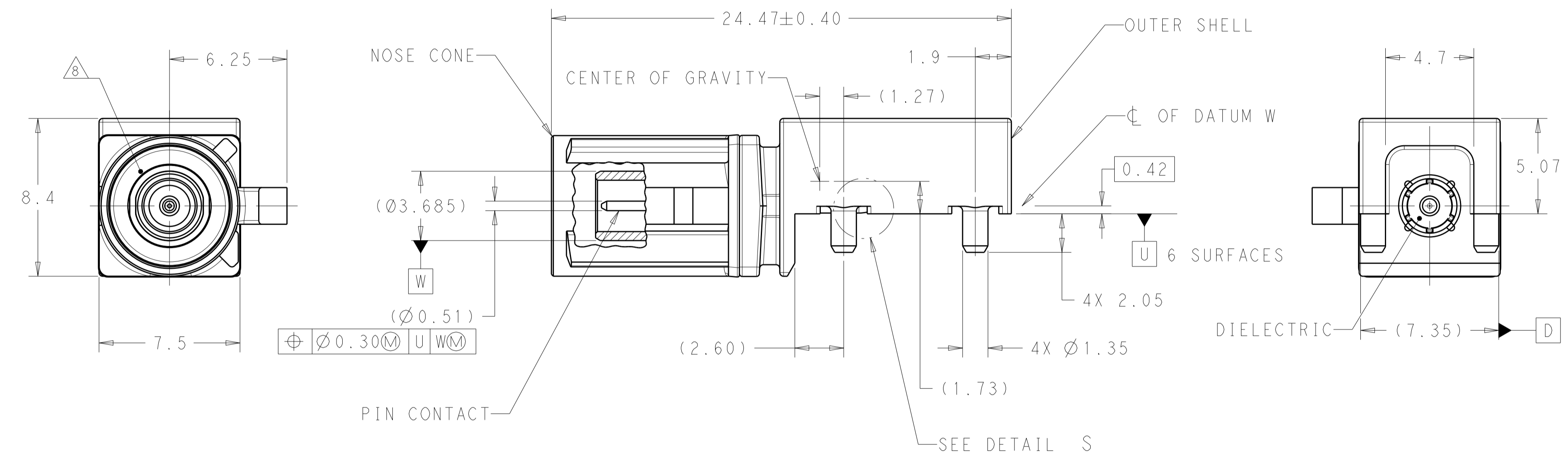


LOC		DIST		REVISIONS			
	IN		00				



ISOMETRIC VIEWS
SCALE 4:1



DETAIL S
SCALE 15:1

- 1 NOSE CONE - NYLON, COLOR: SEE TABLE, 25% GLASS FILLED.
DIELECTRIC - POLYESTER PCT, NATURAL, 30% GLASS FILLED.
PIN CONTACT - BRASS.
OUTER SHELL - ZINC.
- 2 PIN CONTACT - 0.38µm MIN GOLD ON INTERFACE END,
2.5µm MIN TIN ON SOLDER END,
BOTH OVER 1.3µm MIN NICKEL.
OUTER SHELL - 2.0µm MIN TIN OVER 1.52µm MIN NICKEL,
BOTH OVER 2.54µm MIN COPPER.
- 3 REMOVED
- 4 MINIMUM SIGNAL PAD FOR SOLDER.
- 5 MINIMUM RECOMMENDED GROUND PLANE.
- 6 SIGNAL DIMENSION TRACE RECOMMENDED FOR
OPTIMUM SIGNAL PERFORMANCE.
- 7 VACUUM PICKUP AREA.
- 8 MALE INTERFACE PER SAE/USCAR-18 REVISION 3, ROAD VEHICLES 50 Ohm
RADIO FREQUENCY INTERFACE.
- 9 REELING VIEW FOR REFERENCE ONLY TO SHOW UNREELING DIRECTION

2	TAPE AND REEL	PER DETAIL Z	WATER BLUE	Z	7-2287907-0		
		PER DETAIL N	PASTEL GREEN	N	6-2287907-3		
		PER DETAIL M	PASTEL ORANGE	M	6-2287907-2		
		PER DETAIL L	CARMINE RED	L	6-2287907-1		
		PER DETAIL K	CURRY	K	6-2287907-0		
		PER DETAIL I	BEIGE	I	5-2287907-9		
		PER DETAIL H	HEATHER VIOLET	H	5-2287907-8		
		PER DETAIL G	BLUE GREY	G	5-2287907-7		
		PER DETAIL F	NUT BROWN	F	5-2287907-6		
		PER DETAIL E	LEAF GREEN	E	5-2287907-5		
		PER DETAIL D	CLARET VIOLET	D	5-2287907-4		
		PER DETAIL C	SIGNAL BLUE	C	5-2287907-3		
		PER DETAIL B	CREAM	B	5-2287907-2		
		PER DETAIL A	JET BLACK	A	5-2287907-1		
		2	TRAY	PER DETAIL Z	WATER BLUE	Z	2-2287907-0
				PER DETAIL N	PASTEL GREEN	N	1-2287907-3
				PER DETAIL M	PASTEL ORANGE	M	1-2287907-2
PER DETAIL L	CARMINE RED			L	1-2287907-1		
PER DETAIL K	CURRY			K	1-2287907-0		
PER DETAIL I	BEIGE			I	2287907-9		
PER DETAIL H	HEATHER VIOLET			H	2287907-8		
PER DETAIL G	BLUE GREY			G	2287907-7		
PER DETAIL F	NUT BROWN			F	2287907-6		
PER DETAIL E	LEAF GREEN			E	2287907-5		
PER DETAIL D	CLARET VIOLET			D	2287907-4		
PER DETAIL C	SIGNAL BLUE			C	2287907-3		
PER DETAIL B	CREAM			B	2287907-2		
PER DETAIL A	JET BLACK			A	2287907-1		
FINISH	PACKAGING			CODING DETAIL	NOSE CONE COLOR	CODING REF	PART NUMBER

THIS DRAWING IS A CONTROLLED DOCUMENT.

DIMENSIONS: mm

TOLERANCES UNLESS OTHERWISE SPECIFIED:

0 PLC	±	
1 PLC	±0.2	
2 PLC	±0.08	
3 PLC	±	
4 PLC	±	
ANGLES	±	

MATERIAL: SEE TABLE

FINISH: SEE TABLE

THIS DRAWING IS A CONTROLLED DOCUMENT.

CHK: J.A.BAKER 08OCT2014
 D.J.LANE 08OCT2014
 APVD: D.J.LANE 08OCT2014

PRODUCT SPEC: 108-32058
 APPLICATION SPEC: 114-32108

WEIGHT: 3.07g

CUSTOMER DRAWING

SCALE: 6:1

SHEET 1 OF 2

REV F1

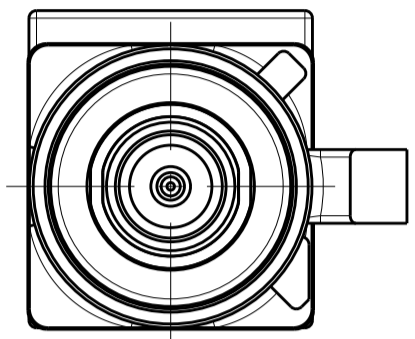
STE TE Connectivity

MALE ASSEMBLY, 1 POSITION,
3 O'CLOCK, EDGE MOUNT,
PCB, FAKRA

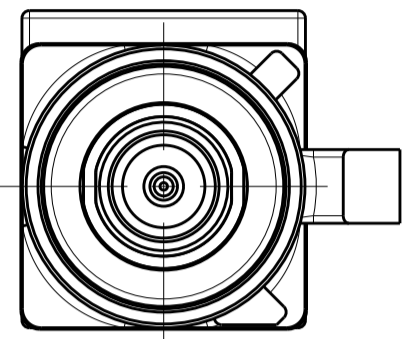
SIZE: A100779C=2287907

LOC		DIST		REVISIONS			
IN	00	P	LTN	DESCRIPTION	DATE	DMN	APVD
		-		SEE SHEET 1			

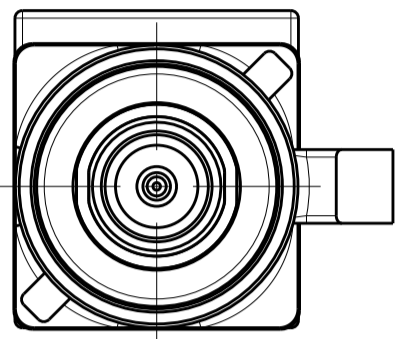
CODINGS



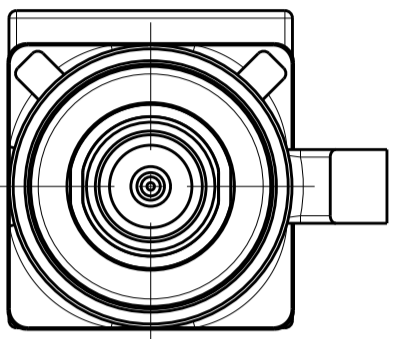
DETAIL A
SCALE 5:1



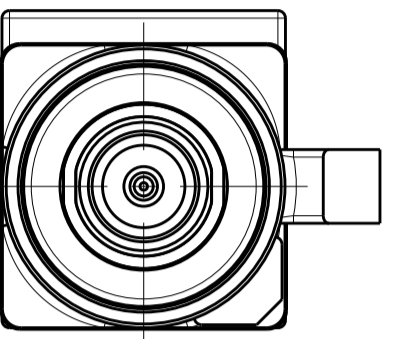
DETAIL B
SCALE 5:1



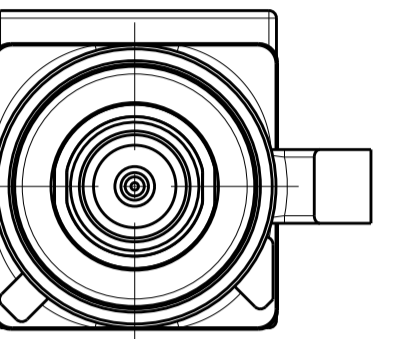
DETAIL C
SCALE 5:1



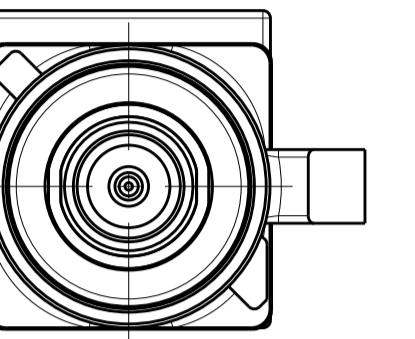
DETAIL D
SCALE 5:1



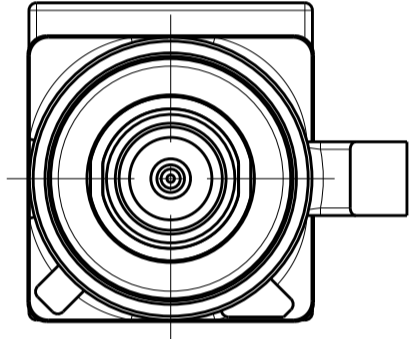
DETAIL E
SCALE 5:1



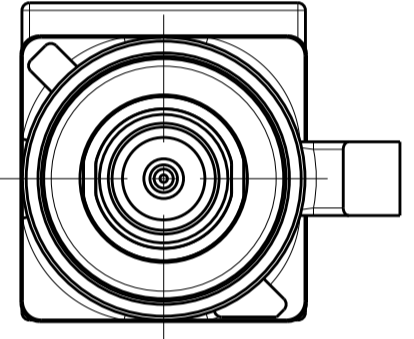
DETAIL F
SCALE 5:1



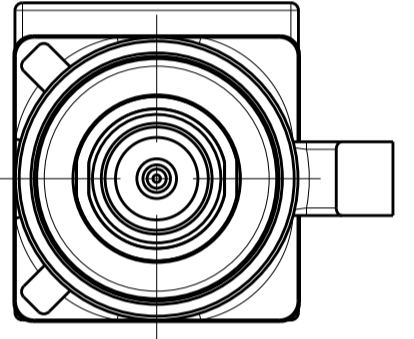
DETAIL G
SCALE 5:1



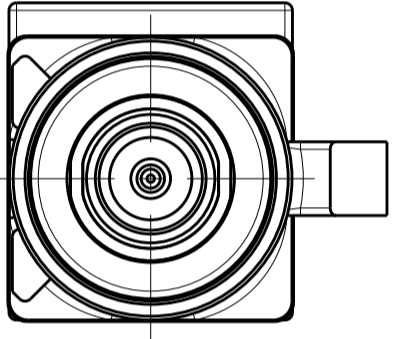
DETAIL H
SCALE 5:1



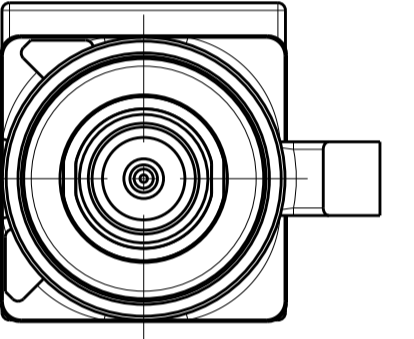
DETAIL I
SCALE 5:1



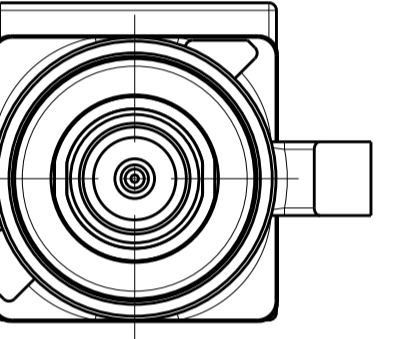
DETAIL K
SCALE 5:1



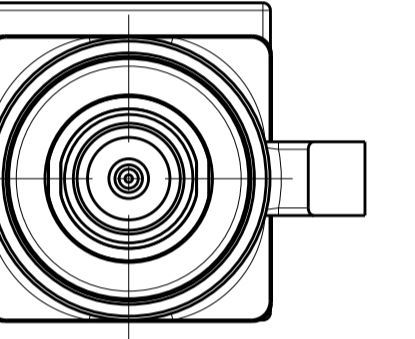
DETAIL L
SCALE 5:1



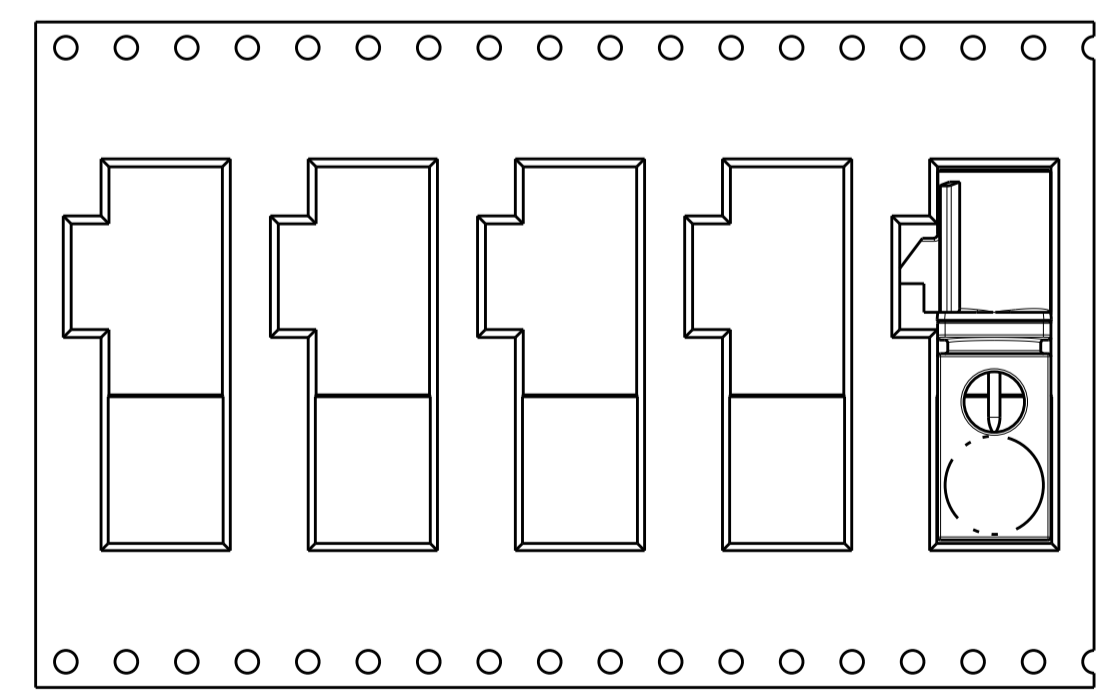
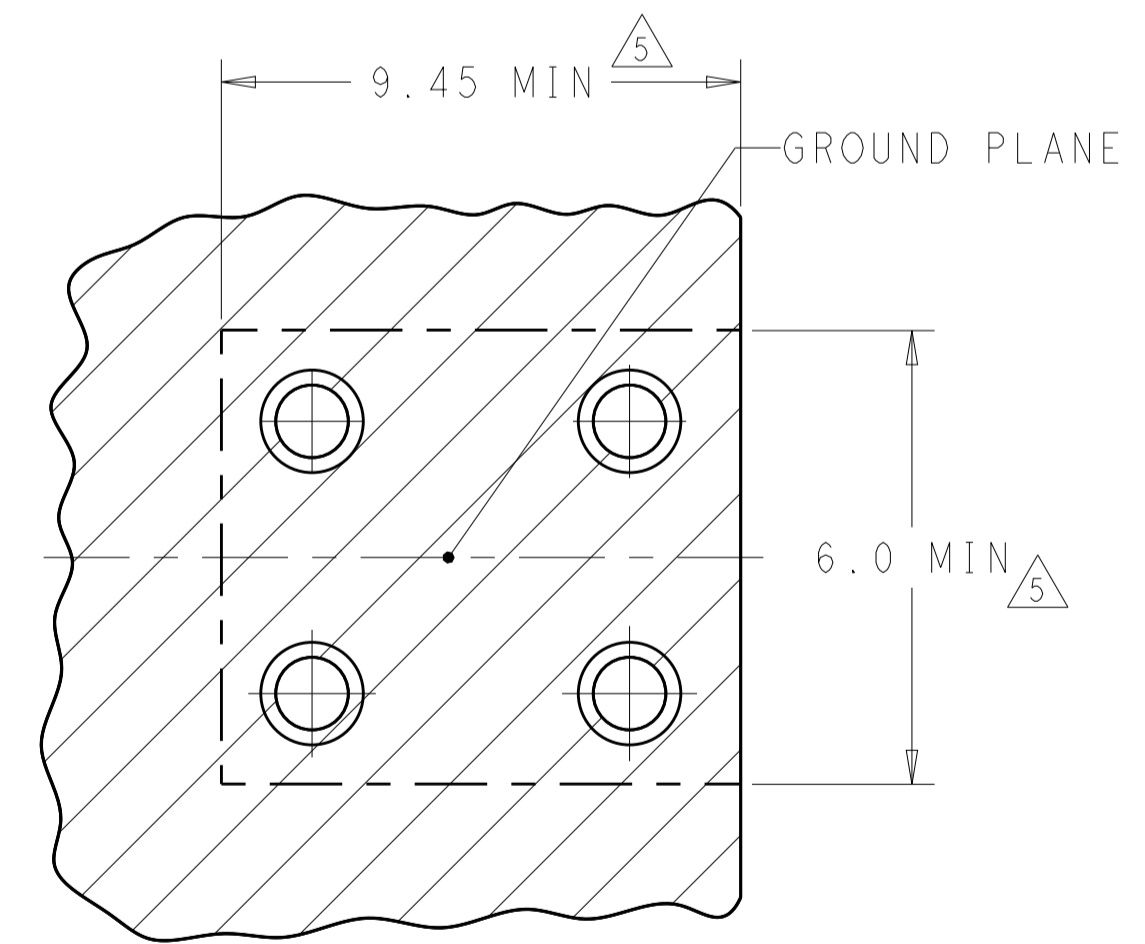
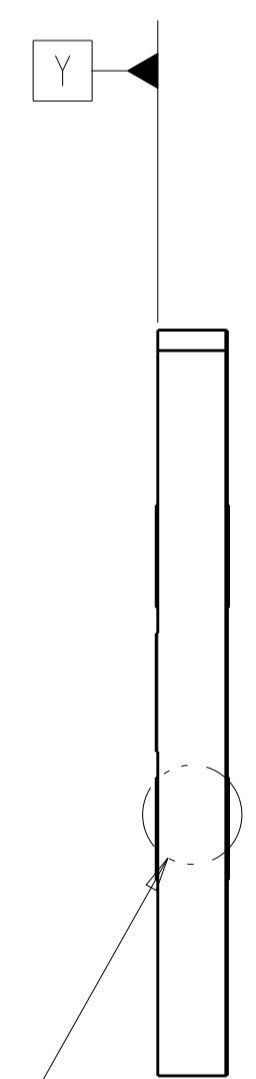
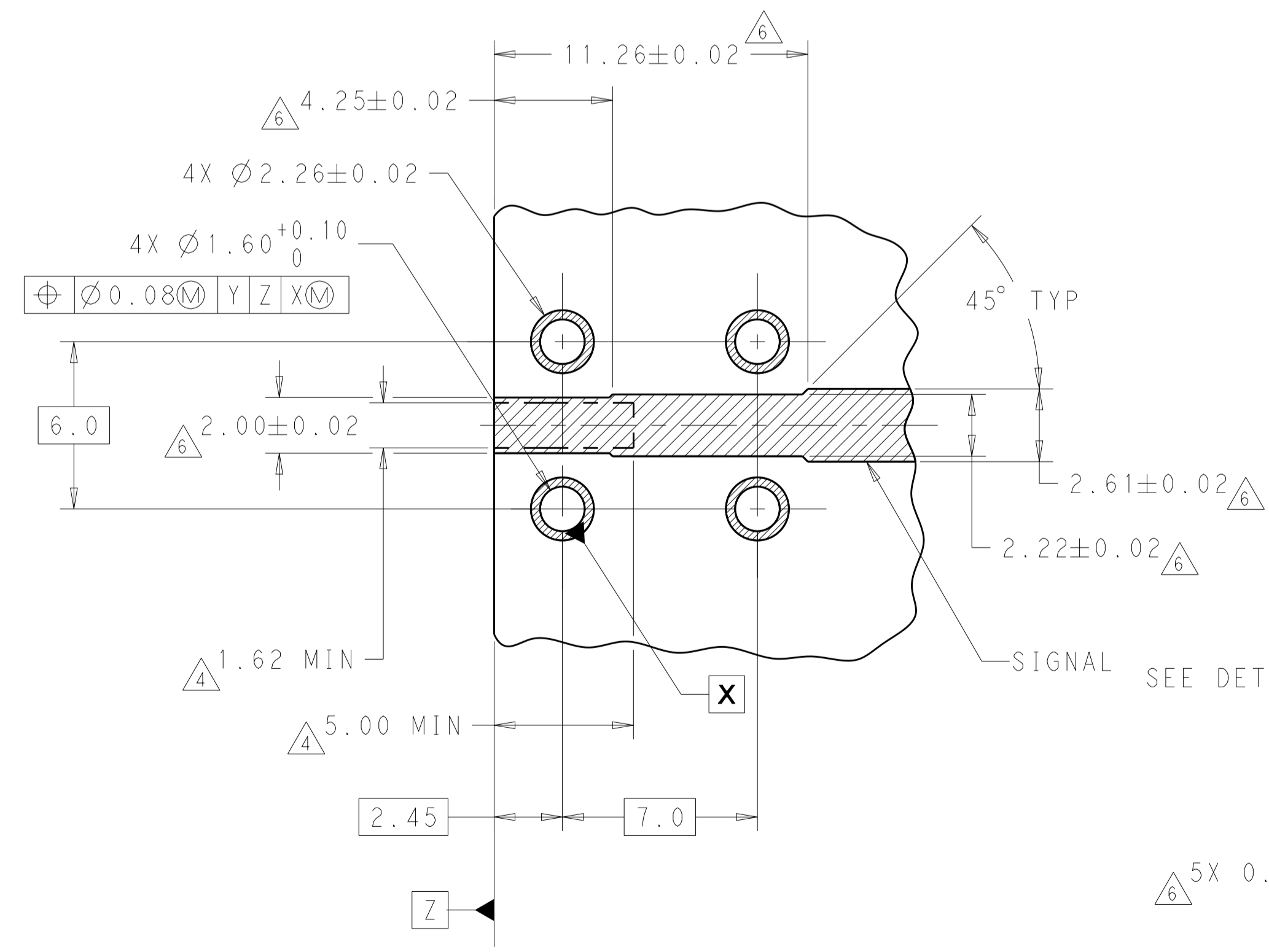
DETAIL M
SCALE 5:1



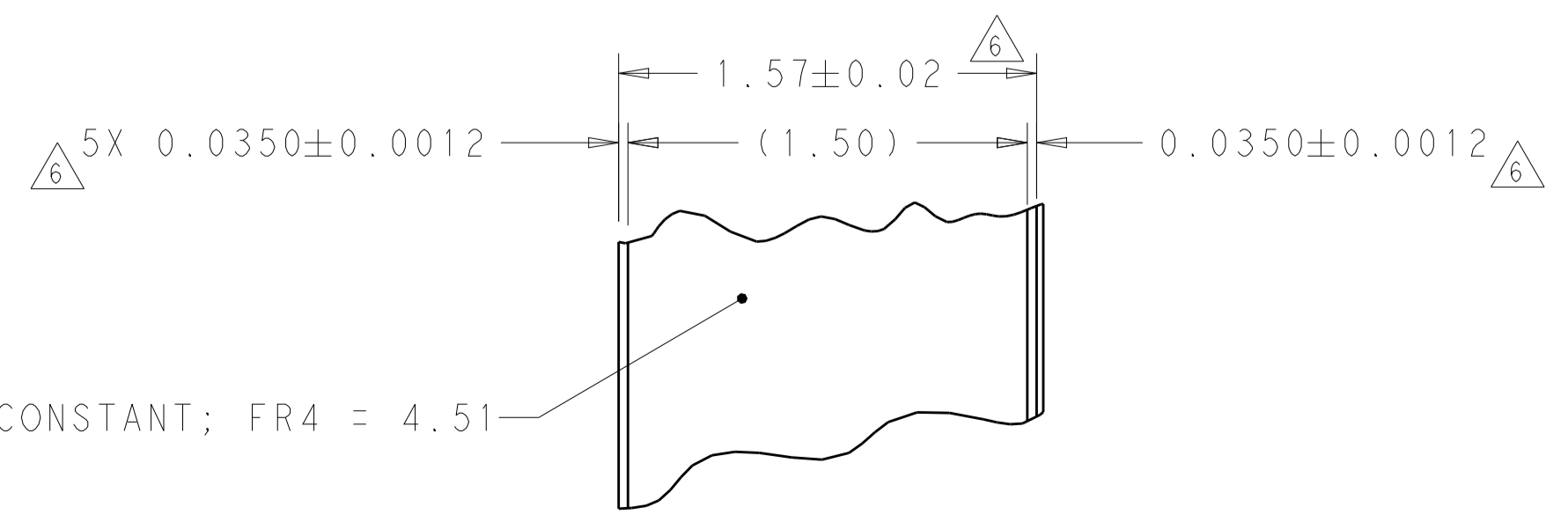
DETAIL N
SCALE 5:1



DETAIL Z
SCALE 5:1



DIRECTION OF UNREELING
SCALE 2:1



DETAIL A
SCALE 40:1

△ MATERIAL DIELECTRIC CONSTANT; FR4 = 4.51

THIS DRAWING IS A CONTROLLED DOCUMENT.		DMN: J.A. BAKER 08OCT2014	TE Connectivity
DIMENSIONS: mm		CHK: D.J. LANE 08OCT2014	
TOLERANCES UNLESS OTHERWISE SPECIFIED:		APVD: D.J. LANE 08OCT2014	NAME: MALE ASSEMBLY, 1 POSITION, 3 O'CLOCK, EDGE MOUNT, PCB, FAKRA
0 PLC	±	PRODUCT SPEC	SIZE: CAGE CODE DRAWING NO
1 PLC	±0.2	APPLICATION SPEC	RESTRICTED TO
2 PLC	±0.08	114-32108	
3 PLC	±	108-32058	
4 PLC	±	114-32108	
ANGLES	±	WEIGHT: 3.07g	
MATERIAL:	FINISH: SEE TABLE	114-32108	
		108-32058	
		CUSTOMER DRAWING	SCALE: 6:1 SHEET 2 OF 2 REV: F1