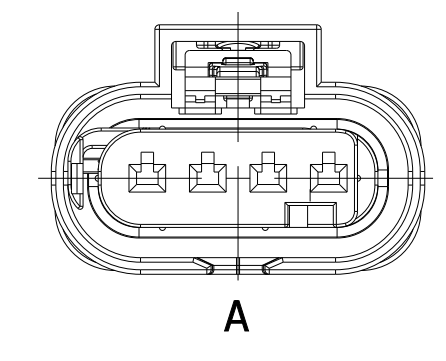
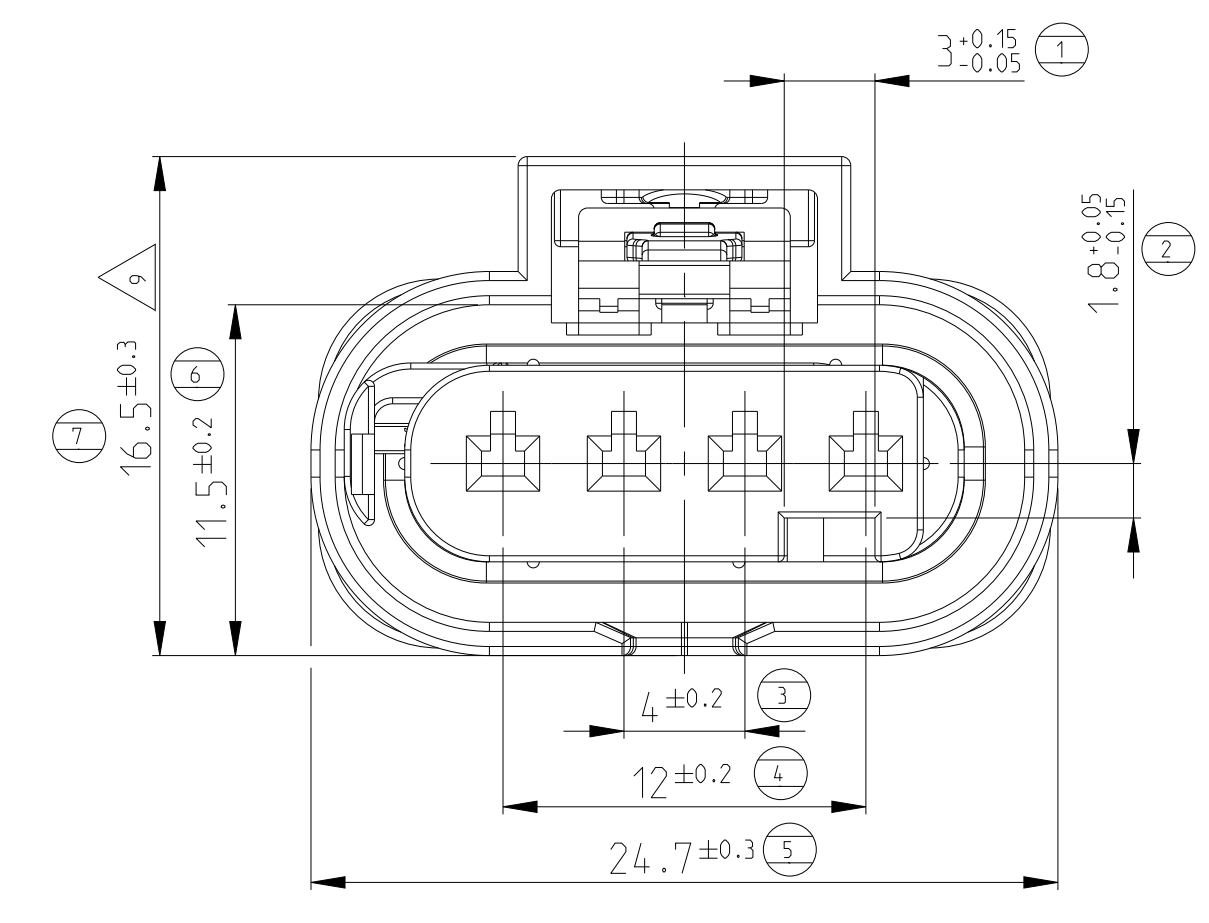
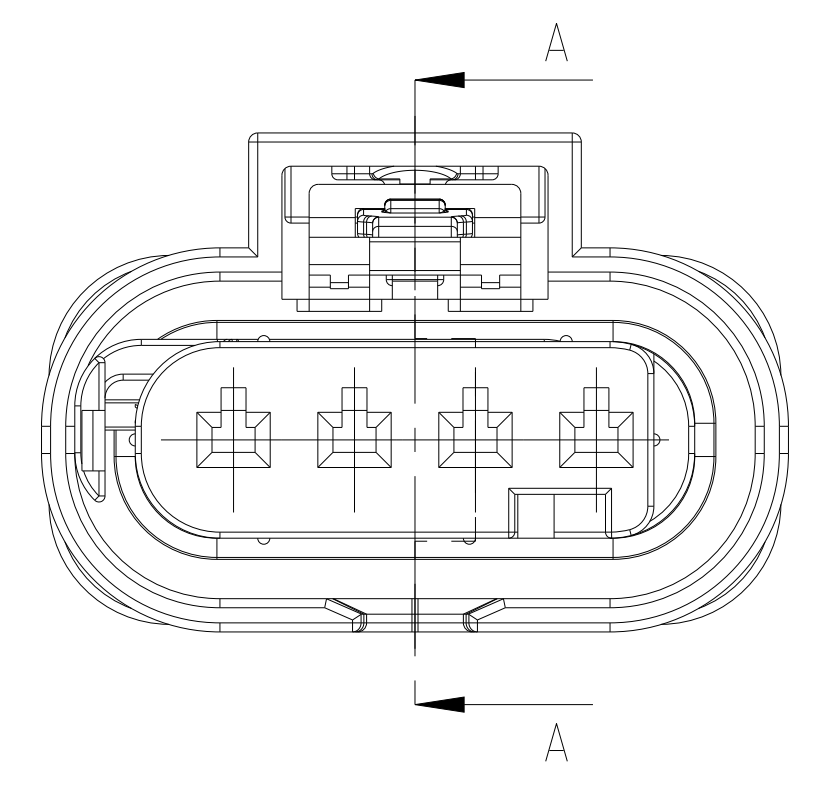
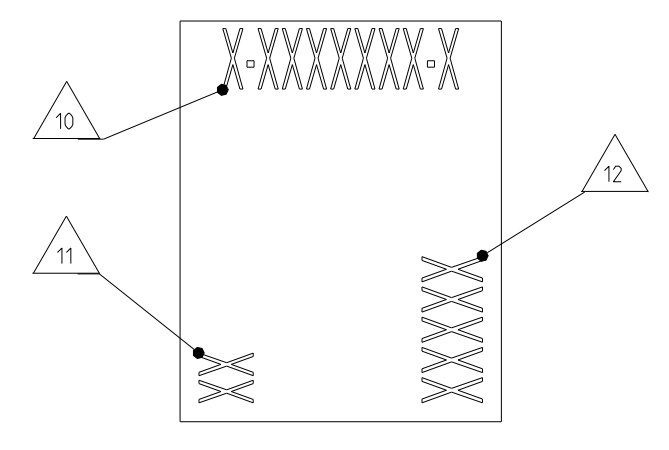


PRINT: 5:1



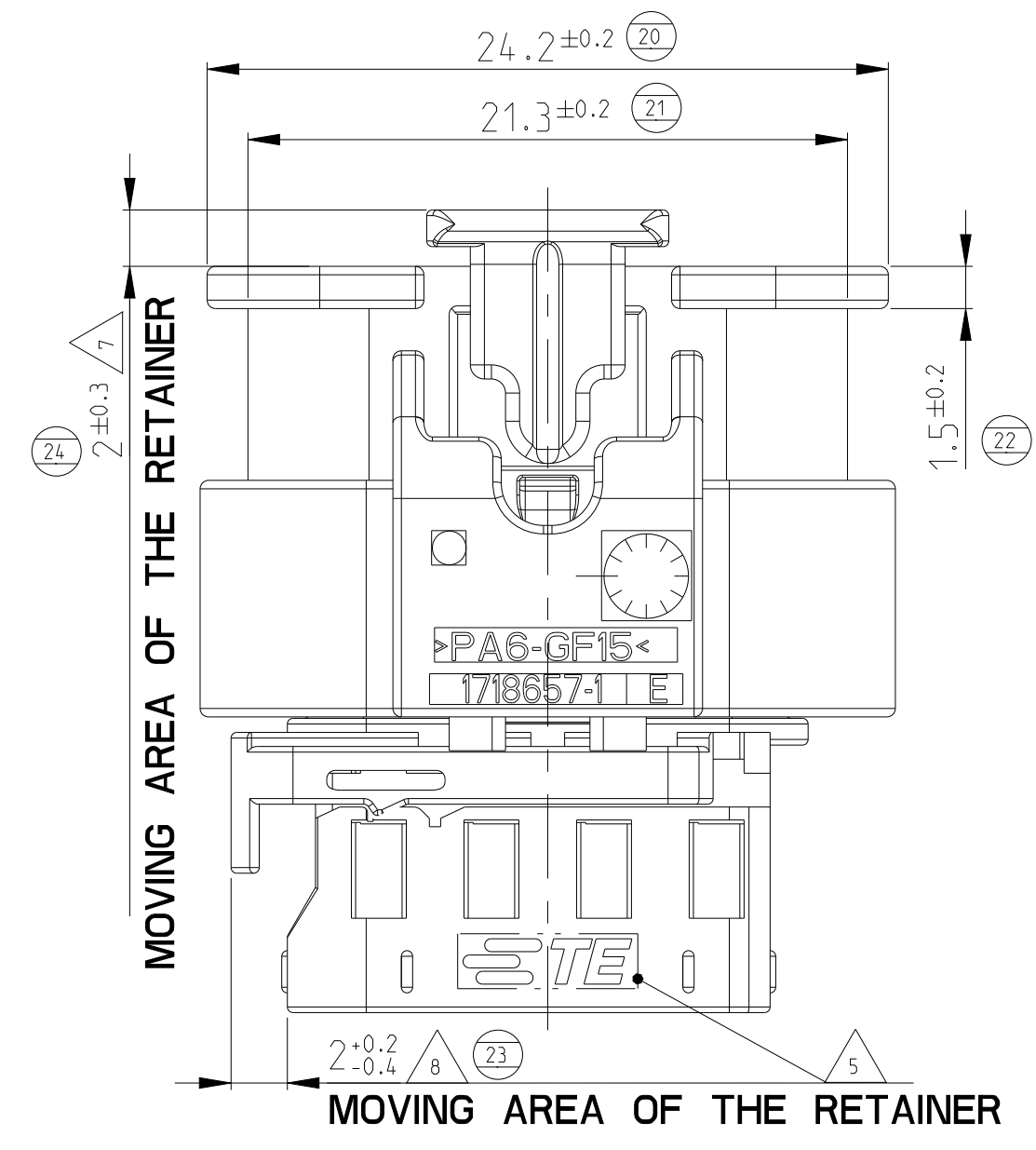
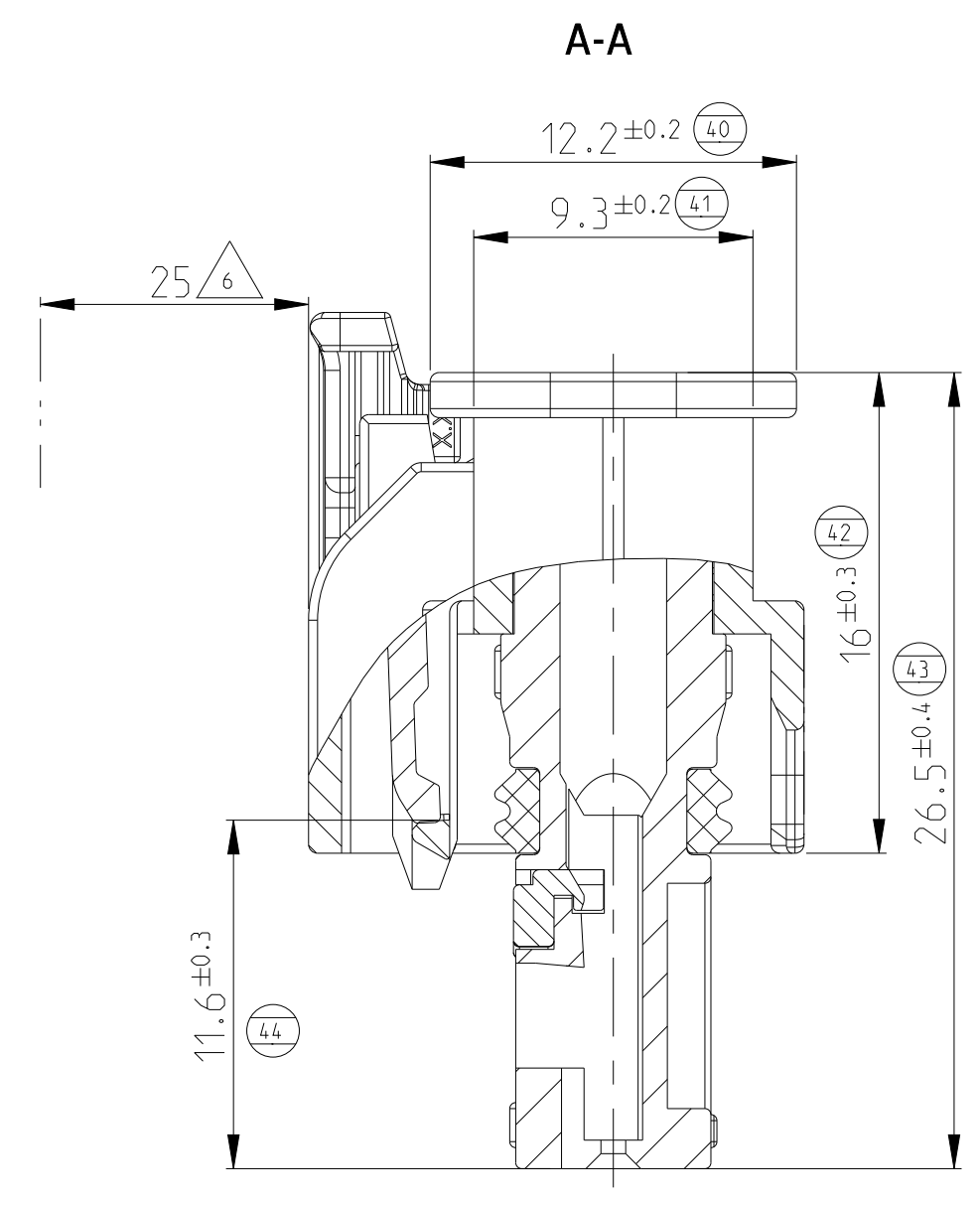
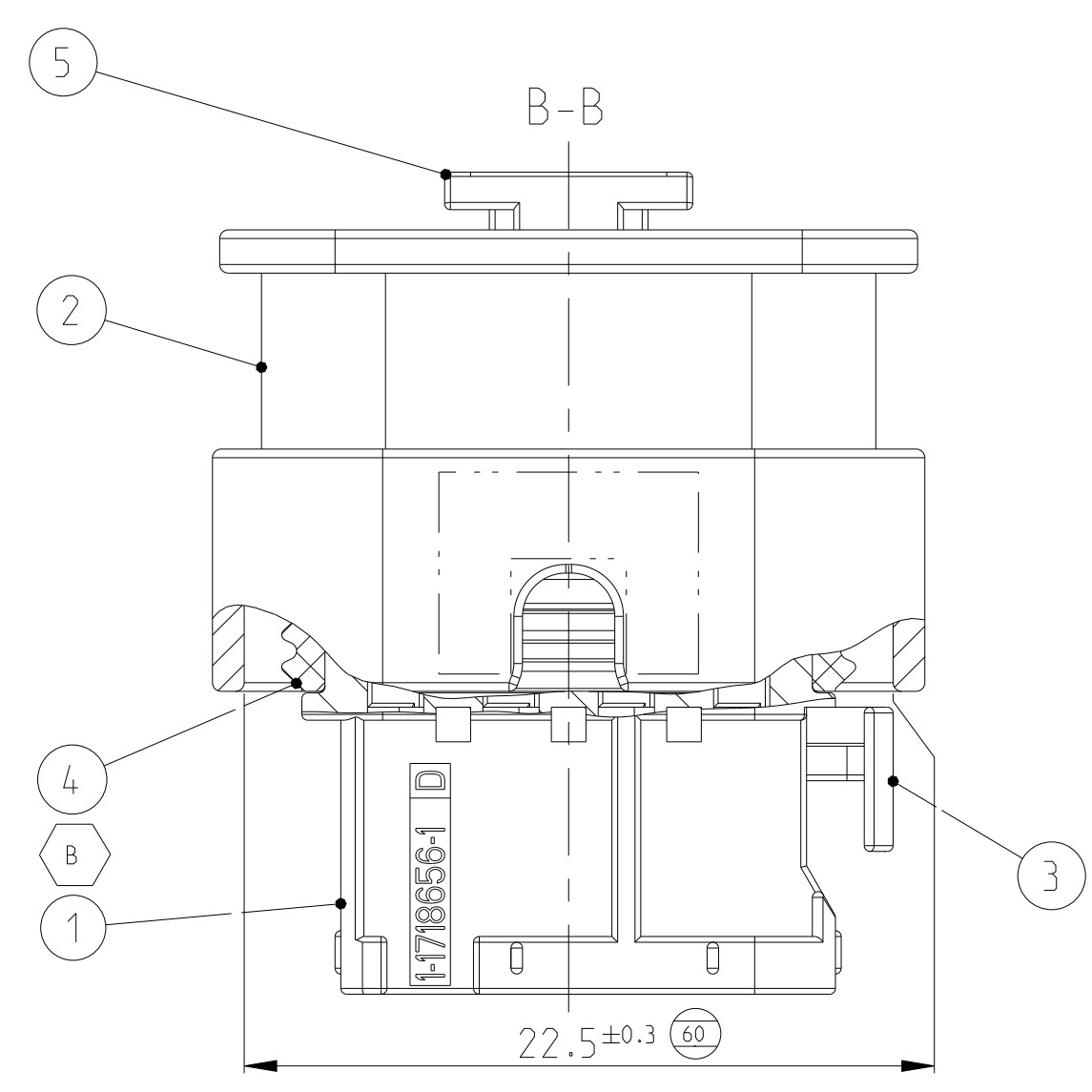
CODINGS: 2:1

REVISIONS				
P	LTN	DESCRIPTION	DATE	APVD
A		NEW DRAWING	27NOV2014	SzN GB
B		Seal and Rec. Hsg. design improvement	21OCT2021	SZN LSZ

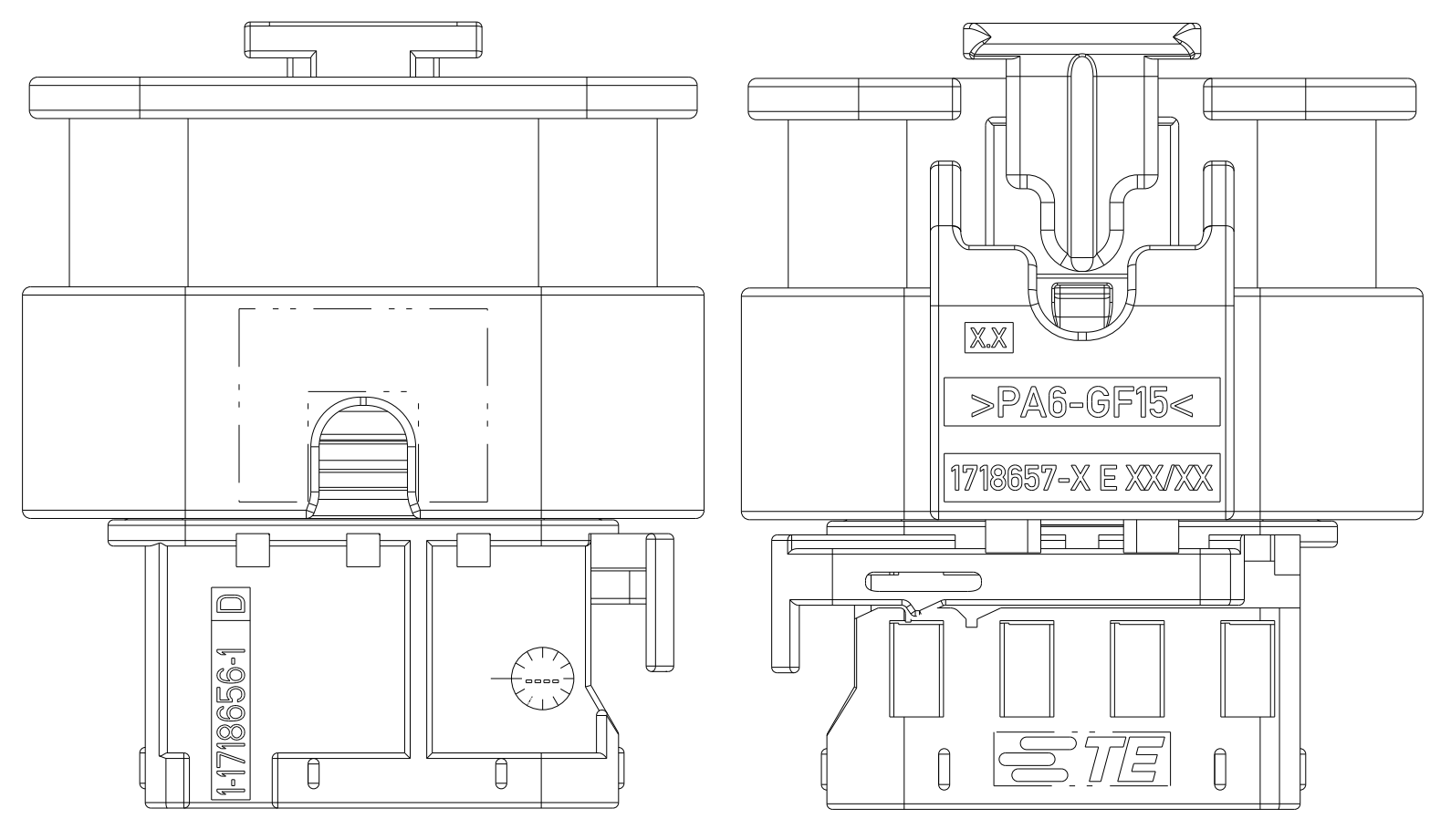
NOTES:

- 1 MAX. WIRE SIZE RANGE 1.0 mm² FLR PERMITTED FOR CAVITY-Ø 3.55MM
 QUANTITY SEE WIRE HARNESS DRAWING
 FOR PERMISSIBLE CURRENT CARRYING CAPACITY OF THE SINGLE CONTACT
 SEE PRODUCT SPECIFICATION NO. 108-18782

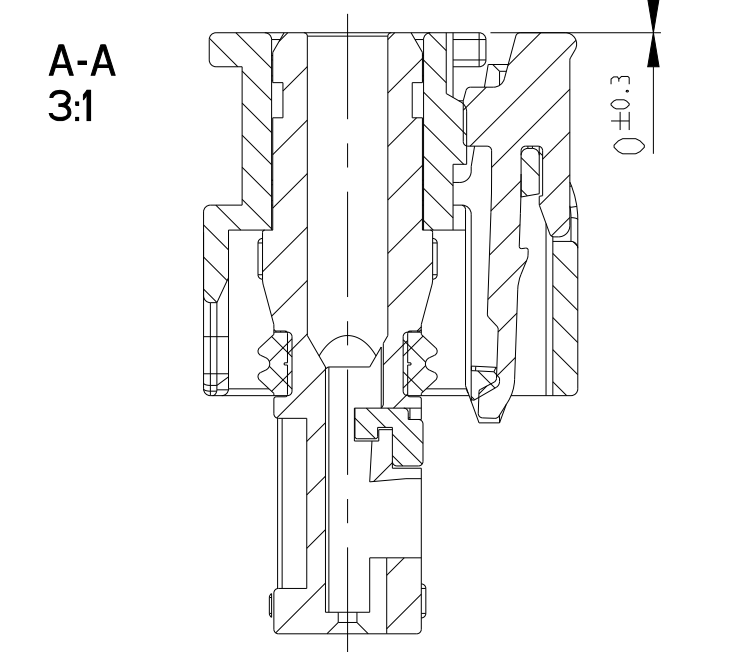
- 2 AREA FOR PRINT
- 3 USABLE CONTACTS MCON 1.2 LL
 SEE TE-NO. 1452674, SINGLE WIRE SEAL-VERSION
- 4 ACCORDING TO INTERFACE DRAWING 114-18679-3
- 5 SUPPLIER-MARK
- 6 SPACE OF ACTIVITY
- 7 SUPPLY CONDITION: CPA IN PRELOCKED POSITION
- 8 SUPPLY CONDITION: RETAINER IN PRELOCKED POSITION
- 9 WARPAGE PERMITTED TO MAX. -0.5mm
- 10 TE ORDER-NO.
- 11 ASSEMBLY LINE SEGMENT IDENTIFICATION
- 12 DATE CODE (DDYY)
- 13 -



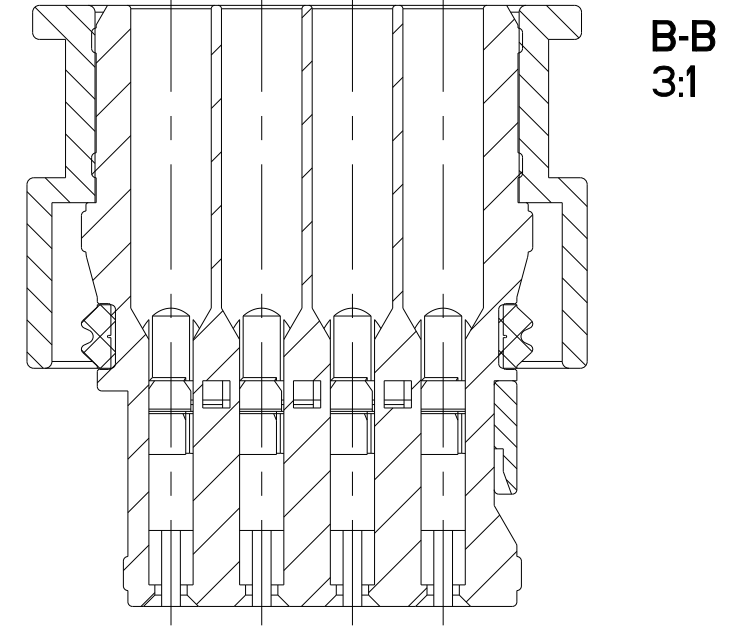
VERSIONS WITH DIVERGENT MARKING FOR COMPONENTS FROM DIFFERENT TOOLS.



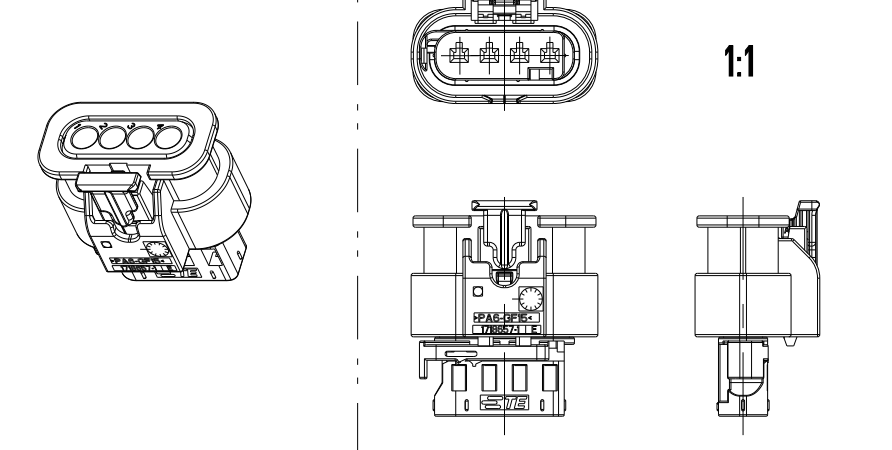
CPA IN END-LOCK POSITION



RETAINER IN END-LOCK POSITION



3D VIEW 1:1



TE-ORDER-NO.	COD	TITLE	REV	QTY	TITLE	MATERIAL	SURFACE/COLOUR	ITEM
1-2289107-1	A	4pos. MCON 1.2 - LL Connector, Sealed	B	1	MCON 1.2 - CPA	PA46-GF15	GREY	5
				1	4pos. MCON 1.2 - Seal	MVQ	NATURE	4
				1	4pos. MCON 1.2 - Retainer	PA66-GF15	VIOLET	3
				1	4pos. MCON 1.2 - Protec. Cover	PA6-GF15	BLACK	2
				1	4pos. MCON 1.2 - Rec. Hsg.	PA66-GF30	BLACK	1

DIMENSIONS: mm		TOLERANCES UNLESS OTHERWISE SPECIFIED:		DWN: Sz. Nemes 27NOV2014		NAME: 4pos. MCON 1.2-LL Connector, Sealed	
0 PLC ±		±0.1		CHK: G. Benczur 28NOV2014		TE Connectivity	
1 PLC ±		±0.2		APVD: -		PRODUCT SPEC: 108-18969	
2 PLC ±		±0.3		APVD: -		APPLICATION SPEC: 114-18861	
3 PLC ±		±0.4		APVD: -		WEIGHT: 5 g	
4 PLC ±		±0.5		APVD: -		CUSTOMER DRAWING: A1 00779 C=2289107	
ANGLES		±0°		APVD: -		SCALE: 15:1 SHEET: 1 of 1 REV: B	
FINISH		-		APVD: -		RESTRICTED TO: -	