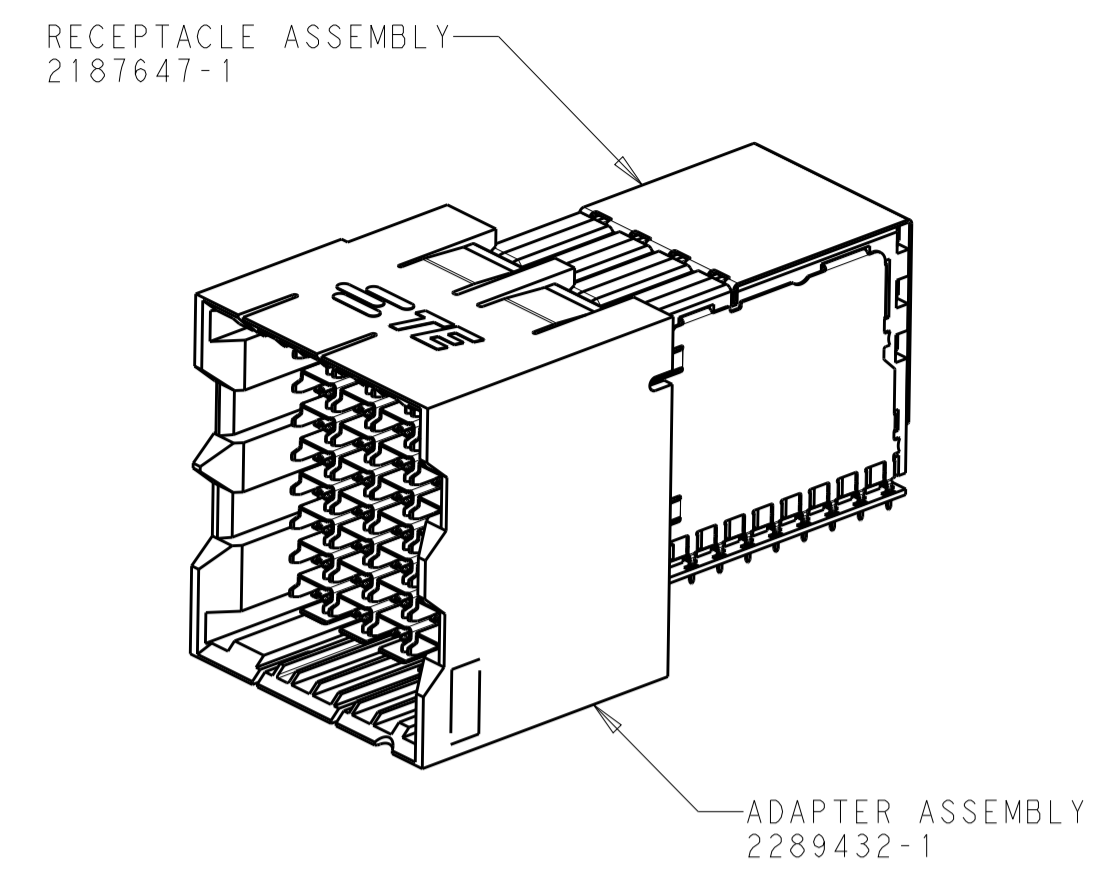
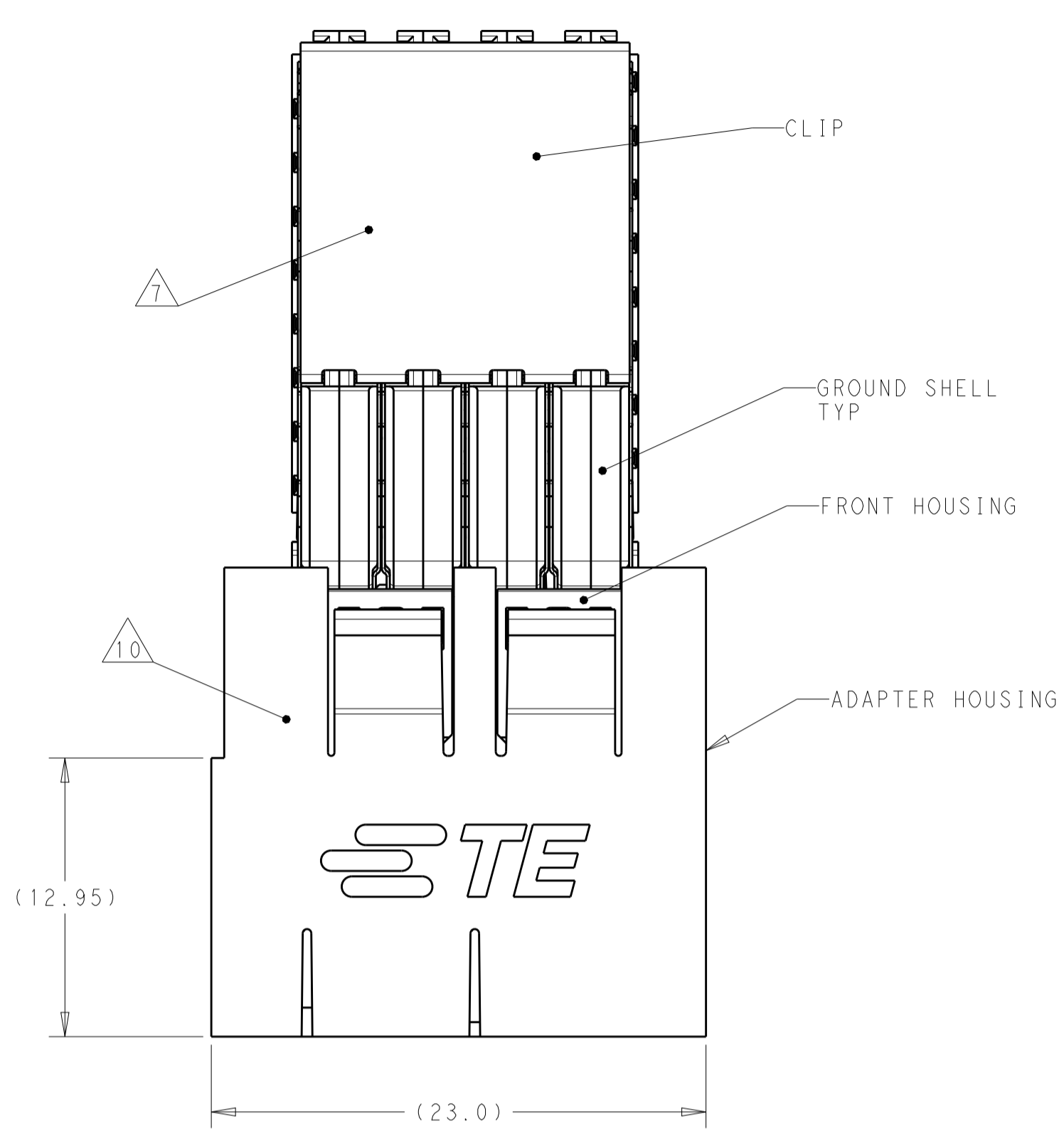
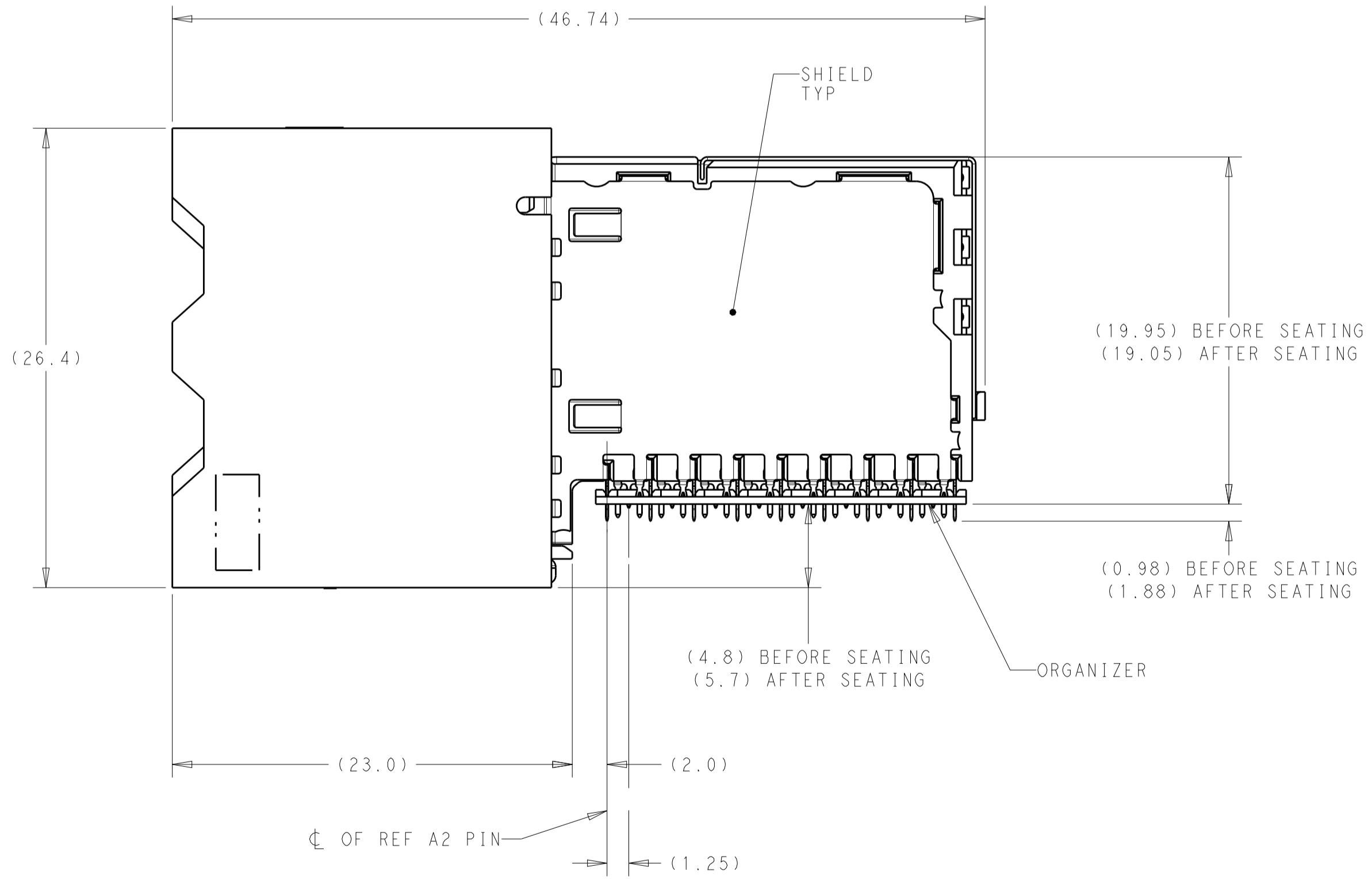
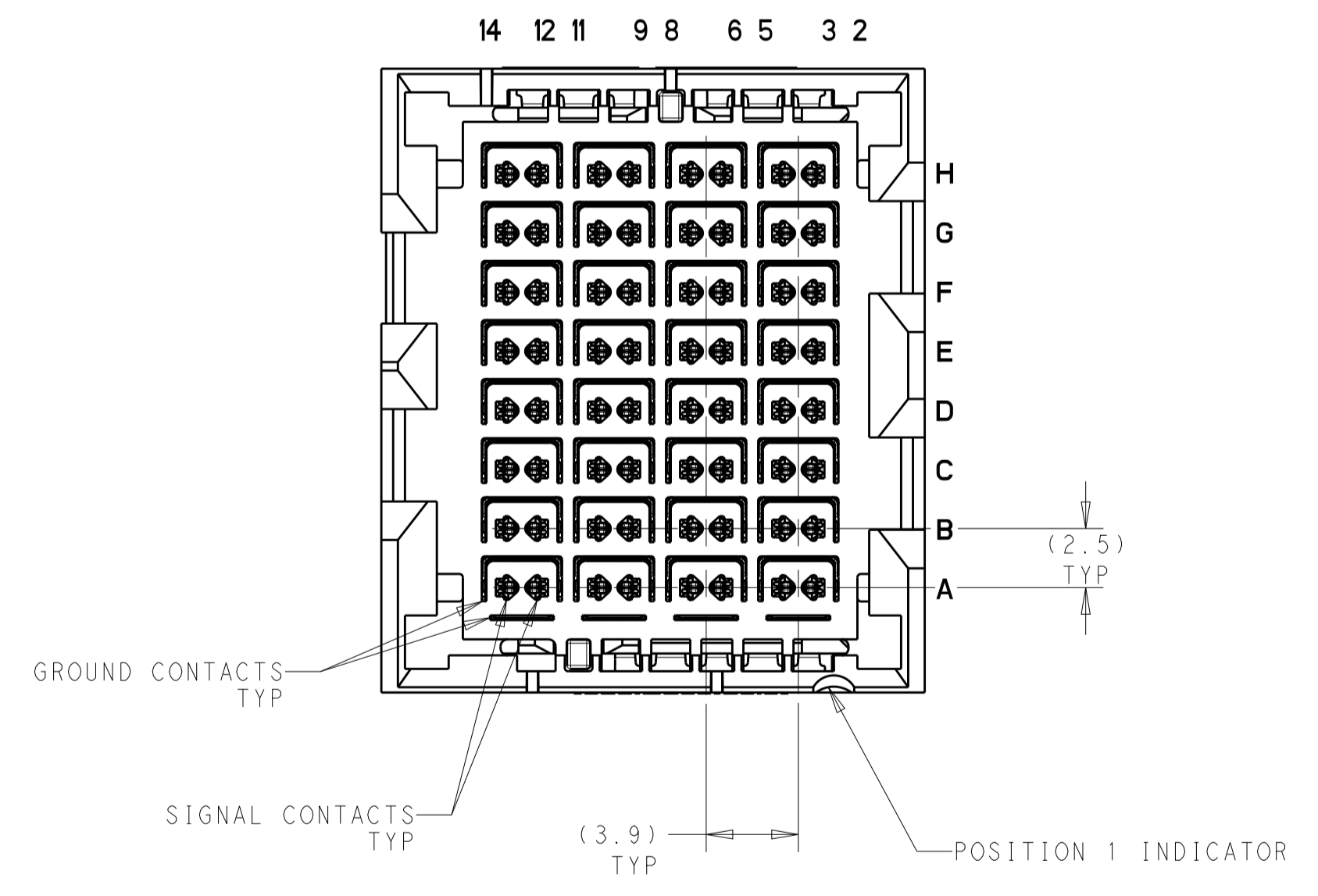


REVISIONS				
P.	LTN	DESCRIPTION	DATE	DWN APVD
A		RELEASED PER ECO-17-000464	23JAN2017	JM MH
A1		ECO-17-008394	09JUN2017	MH DS



SCALE 2:1

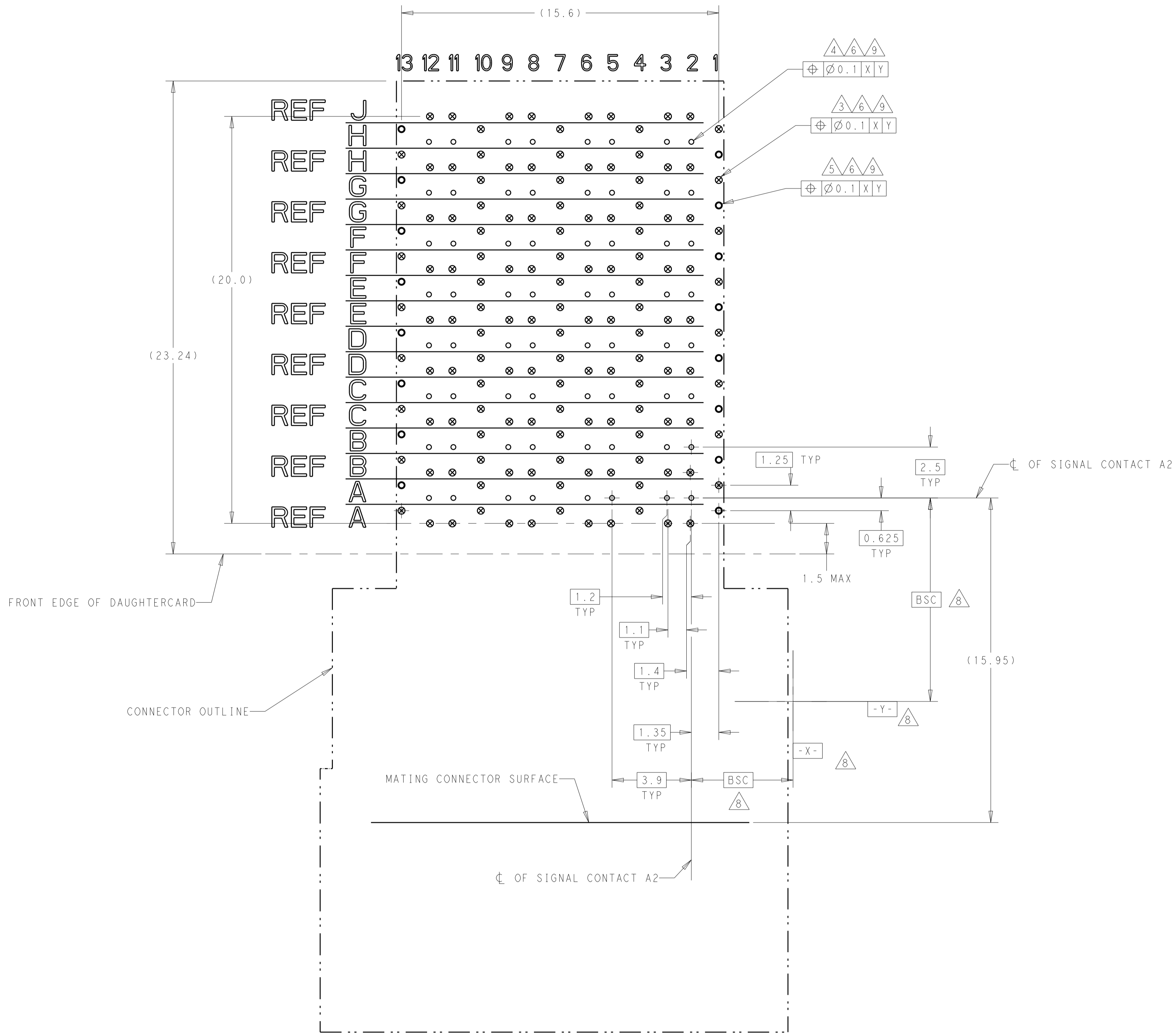
- 1 CONTACTS AND SHIELDS - COPPER ALLOY
 CLIP - STAINLESS STEEL
 HOUSINGS, GROUND SHELLS, AND ORGANIZER - THERMOPLASTIC, UL 94V-0, BLACK
- 2 CONFORMS TO THE REQUIREMENTS OF TE PRODUCT SPECIFICATION 108-32075
 BASED ON TELCORDIA GR-1217-CORE FOR SYSTEM QUALITY LEVEL III,
 APPLICATIONS IN CONTROLLED ENVIRONMENTS (CENTRAL OFFICE).
 COMPLIANT PIN AREA: 0.5µm MIN MATTE TIN.
- 3 GROUND PLATED THRU HOLE REQUIREMENTS:
 FINISHED HOLE = $\varnothing 0.37 \pm 0.05$
 HOLE SIZE PRIOR TO PLATING = $\varnothing 0.450 \pm 0.025$
 COPPER THICKNESS = 0.025 MIN
 IMMERSION TIN IF APPLICABLE = (0.00095)
- 4 SIGNAL PLATED THRU HOLE REQUIREMENTS:
 FINISHED HOLE = $\varnothing 0.29 \pm 0.05$
 HOLE SIZE PRIOR TO PLATING = $\varnothing 0.368 \pm 0.025$ (#79 DRILL)
 COPPER THICKNESS = 0.025 MIN
 IMMERSION TIN IF APPLICABLE = (0.00095)
- 5 SI VIA PLATED THRU HOLE REQUIREMENTS:
 FINISHED HOLE = ($\varnothing 0.22$)
 HOLE SIZE PRIOR TO PLATING = $\varnothing 0.300 \pm 0.025$
 COPPER THICKNESS = 0.025 MIN
 IMMERSION TIN IF APPLICABLE = (0.00095)
- 6 SI VIAS & SIGNAL HOLES:
 PTH DIMENSIONS APPLY TO THE TOP 1.00mm OF THE PCB THICKNESS FROM THE
 CONNECTOR MOUNTING SIDE.
 GROUND HOLES:
 PTH DIMENSIONS APPLY TO THE TOP 1.25mm OF THE PCB THICKNESS FROM THE
 CONNECTOR MOUNTING SIDE.
- 7 CONNECTOR MARKED WITH PART NUMBER, DATE CODE, AND "85 OHM" IN
 APPROXIMATE AREA SHOWN.
- 8 DATUMS AND BASIC DIMENSIONS ESTABLISHED BY CUSTOMER
- 9 APPLIES TO FINISHED HOLE DIAMETER.
- 10 CONNECTOR MARKED WITH ASSEMBLY PART NUMBER, DIRECT PLUG ORTHOGONAL ADAPTER
 PART NUMBER, DATE CODE, AND "85 OHM" IN APPROXIMATE AREA SHOWN.



2289433-1
 PART NUMBER

THIS DRAWING IS A CONTROLLED DOCUMENT.		DWN J. McCLINTON 15DEC2014	TE Connectivity
DIMENSIONS:		CHK J. McCLELLAN 15DEC2014	
mm	TOLERANCES UNLESS OTHERWISE SPECIFIED:	APVD J. McCLELLAN 15DEC2014	NAME RIGHT ANGLE ADAPTER ASSEMBLY, 8 PAIR 4 COLUMN, 85 OHM DPO, STRADA WHISPER
0 PLC ±	1 PLC ±	PRODUCT SPEC 2	
2 PLC ±0.13	3 PLC ±	APPLICATION SPEC	SIZE CAGE CODE DRAWING NO RESTRICTED TO
4 PLC ±	ANGLES ±	114-32120	A1 - C=2289433
MATERIAL 1	FINISH 2	WEIGHT	CUSTOMER DRAWING
		SCALE 4:1	SHEET 1 OF 2
		REV A1	

REVISIONS				
P.	LTN	DESCRIPTION	DATE	APVD
-	-	SEE SHEET 1	-	-



RECOMMENDED PCB LAYOUT
 SINGLE CONNECTOR (NON-STACKING)
 COMPONENT SIDE SHOWN
 SCALE 8:1

- = SIGNAL
- ⊗ = GROUND
- ⊙ = SIGNAL INTEGRITY VIA TO GROUND

THIS DRAWING IS A CONTROLLED DOCUMENT.		OWN J. McCLINTON 15DEC2014	NAME RIGHT ANGLE ADAPTER ASSEMBLY, 8 PAIR 4 COLUMN, 85 OHM DPO, STRADA WHISPER
DIMENSIONS:		CHK J. McCLELLAN 15DEC2014	PRODUCT SPEC
TOLERANCES UNLESS OTHERWISE SPECIFIED:		APVD J. McCLELLAN 15DEC2014	APPLICATION SPEC
mm	0 PLC ± 1 PLC ± 2 PLC ±0.13 3 PLC ± 4 PLC ± ANGLES ±	SIZE A1	RESTRICTED TO
MATERIAL	FINISH	WEIGHT C=2289433	SCALE 1:1 SHEET 2 OF 2 REV A1
CUSTOMER DRAWING		TE Connectivity	