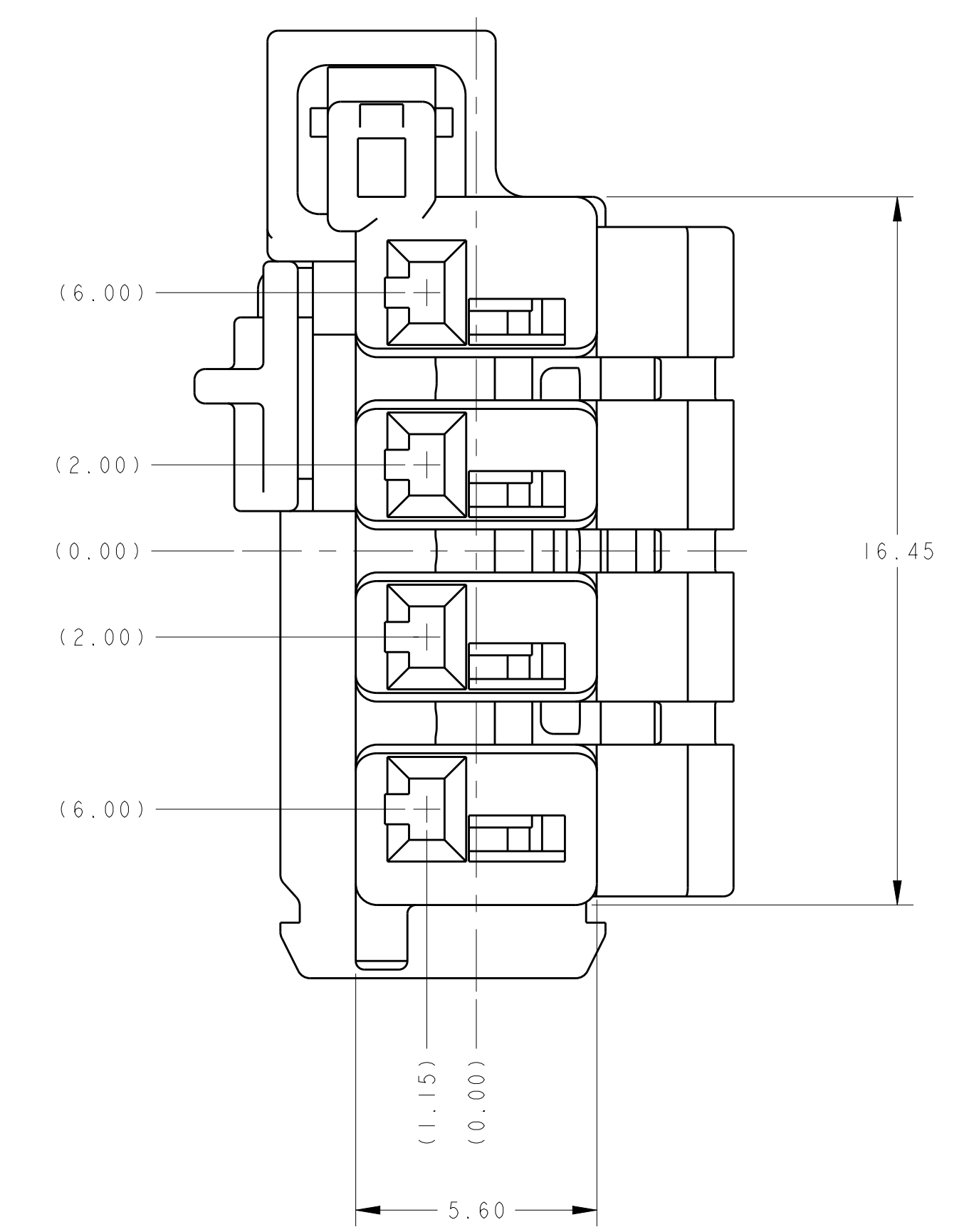
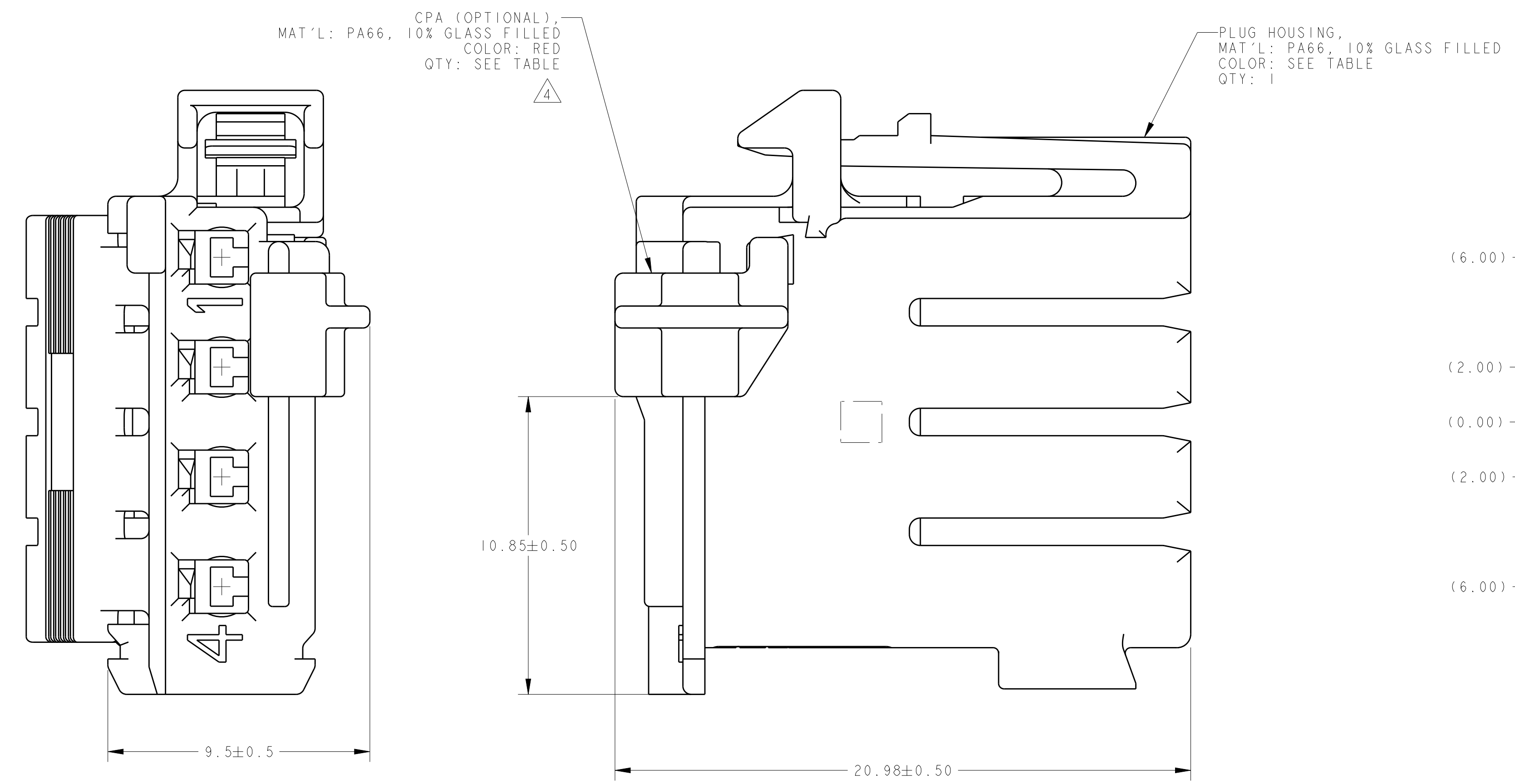
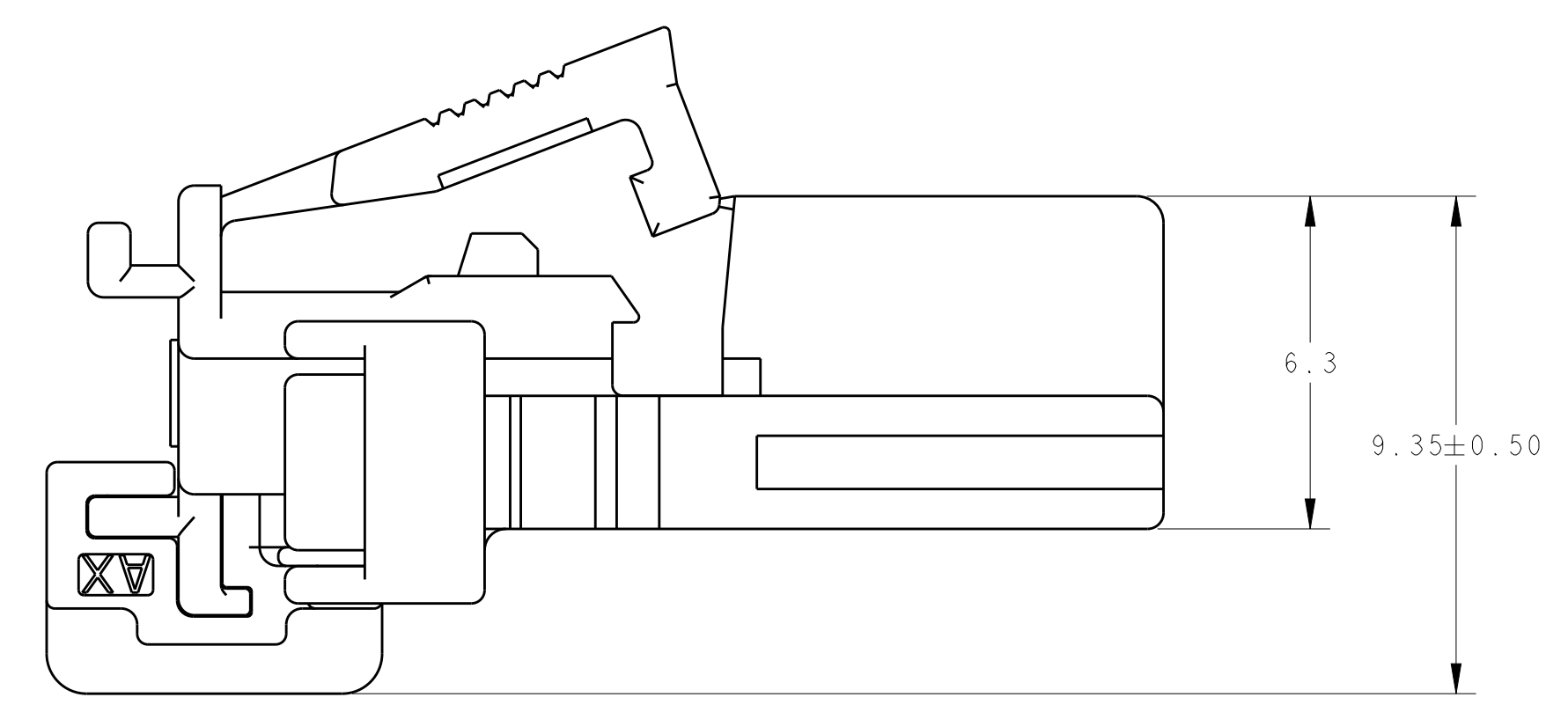
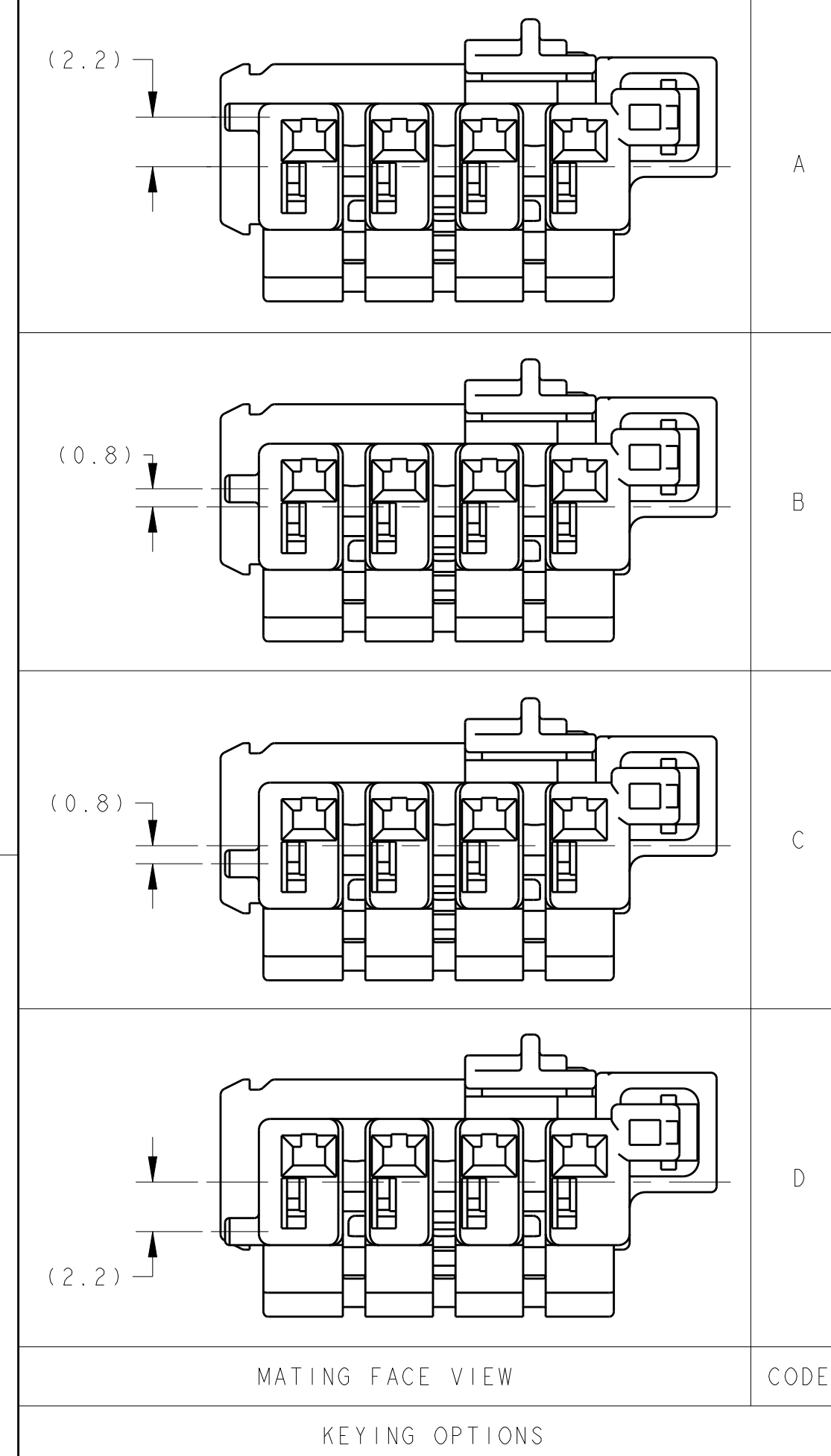
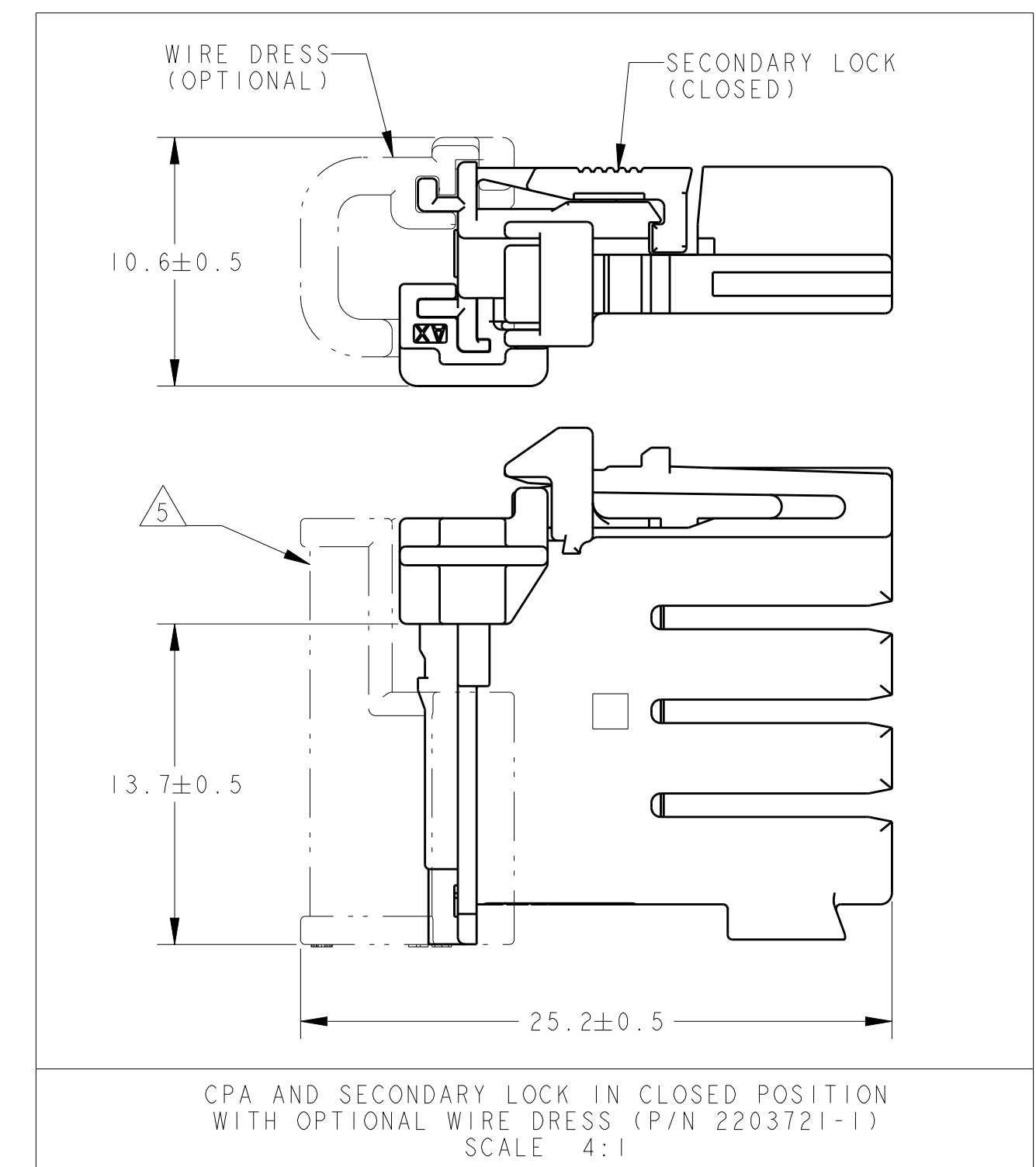


LOC		DIST		REVISIONS			
				REV	DATE	BY	APPV
1	N	00		I	PROPOSED	29DEC2014	JRS PDR
				A	UPDATED PRELIMINARY TO RELEASED STATUS	02OCT2015	PR PR



- 2289524-1 SHOWN IN GENERAL VIEWS.
  - PLUG ASSEMBLY WILL ACCEPT THE FOLLOWING TERMINAL PART NUMBERS: 1670144-1 (TIN PLATED) 0.50-0.75mm<sup>2</sup>
  - ASSEMBLY IS SHIPPED WITH SECONDARY LOCK IN THE PRE-LOCK POSITION AS SHOWN. SECONDARY LOCK MAY CLOSE INADVERTENTLY DURING SHIPPING IF THIS OCCURS, RELOCATE SECONDARY LOCK TO THE OPEN POSITION PRIOR TO INSERTION OF TERMINALS.
- △ CPA SHOWN IN PRE-STAGED, AS SHIPPED, POSITION.
- △ WIRE DRESS COVER IS NOT PART OF ASSEMBLY. IT IS SOLD AS A SEPARATE SALEABLE ITEM AS PART NUMBER 2203721-1.



HOUSING COLOR	CPA QTY	KEYING OPTION	PART NUMBER
GRAY	NA	D	2289524-8
GREEN	NA	C	2289524-7
BLUE	NA	B	2289524-6
NATURAL (BROWN)	NA	A	2289524-5
GRAY	I	D	2289524-4
GREEN	I	C	2289524-3
BLUE	I	B	2289524-2
NATURAL (BROWN)	I	A	2289524-1

THIS DRAWING IS A CONTROLLED DOCUMENT.

TE Connectivity

PLUG ASSEMBLY  
4 POSN, 1.2 MCON

Customer Drawing

SCALE 8:1 SHEET 1 OF 1 REV A