

CODE 77 - BRAID TAIL BACKSHELL

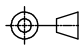

228M016-19C08

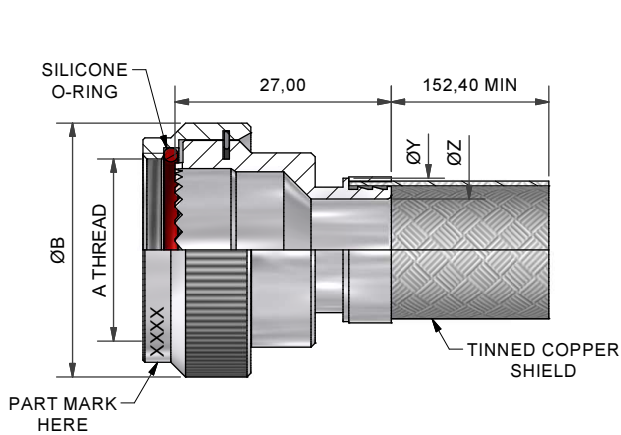
SERIES _____
 ORDER NUMBER (TABLE 1) _____
 MATERIAL _____
 REFER TO CH00-0250-004
 FINISH _____
 REFER TO CH00-0250-004 (2)
 ENTRY SIZE (TABLE 2) _____

NOTES:

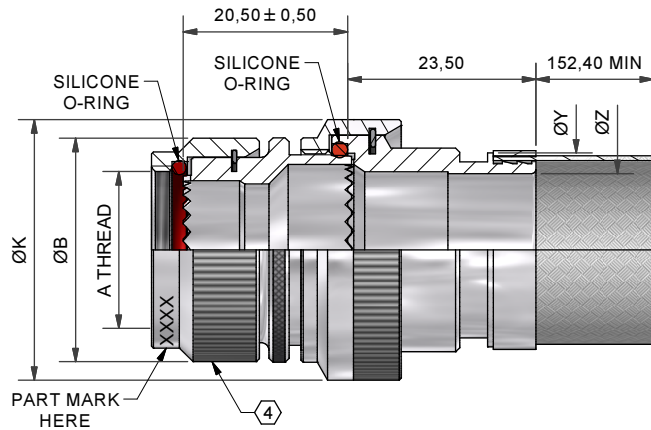
1. THIS PRODUCT IS DESIGNED TO TERMINATE A HEAT SHRINKABLE LIPPED BOOT TO A CONNECTOR.
- (2) FOR ADDITIONAL DIMENSIONS, ORDERING INFORMATION AND MODIFICATION, SEE CH00-0250-004.
3. BACKSHELL TO BE PERMANENTLY MARKED/BAGGED AND LABELLED WITH CODE IDENTIFICATION NUMBER AND PART NUMBER. (e.g. 06090-228M016-19B08).
- (4) WHEN ENTRY SIZE EXCEEDS "MAX ENTRY", A 2 PIECE BACKSHELL (TYPE 2) IS SUPPLIED.
5. BACKSHELL MATES TO MIL-DTL-81703 SERIES III, MS3424, MS3446, MS3464, MS3467, MS3468, CLASS E & I.
6. BRAID TERMINATION RING MAY BE SUPPLIED AS TINEL-LOCK SHAPE MEMORY RING AT MANUFACTURERS OPTION.
7. CONTACT TE FOR OPTIONAL ENTRIES, FINISHES AND SHIELD LENGTHS.

If this document is printed it becomes uncontrolled. Check for the latest revision

DRAWN	K.WINCZURA	DATE 24/06/2015	 3RD ANGLE PROJECTION NOT TO SCALE	TITLE: BRAID TAIL BACKSHELL	
CHECKED		24/06/2015			
APPROVED	K.SHEPPARD	06/07/2015	<small>UNLESS OTHERWISE SPECIFIED ALL DIMENSIONS IN MILLIMETRES GENERAL TOL LINEAR +/-0.25MM ANGULAR +/- 1°</small>	ASSY USED ON:	
APPROVED	H.SMITH	07/07/2015		MIL-DTL-81703 SERIES III, MS3424, MS3446, MS3464, MS3467, MS3468, CLASS E & I	
REVISIONS					
LTR	DESCRIPTION	DATE	APPROVED		
C	REVISED PER ECO-14-009599	06/26/2014	I. MYONG		
D	REVISED PER ECO-15-009992	07/07/2015	H.SMITH		
TE CAGE CODE: 06090 POLAMCO/TE CAGE CODE: U5792				TE CONNECTIVITY - POLAMCO LTD RESERVES THE RIGHT TO AMEND THIS DRAWING AND THE INFORMATION SET FORTH HEREON AT ANY TIME. USERS SHOULD INDEPENDENTLY EVALUATE THE SUITABILITY OF THE PRODUCT FOR THEIR APPLICATION.	DRAWING NO: 228M0XX
				DRAWING REV: D	SHT 1



STRAIGHT BACKSHELL - TYPE 1



STRAIGHT BACKSHELL - TYPE 2

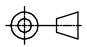



TABLE 1

BASE PART NO	SHELL SIZE	MAX ENTRY (4)	A THREAD	ØB MAX
228M008	08	04	7/16-28UNEF	17,3
228M010	10	06	9/16-24UNEF	20,3
228M012	12	08	11/16-24UNEF	23,8
228M014	14	10	13/16-20UNEF	26,8
228M016	16	12	15/16-20UNEF	29,8
228M018	18	14	1 1/16-18UNEF	33,3
228M020	20	16	1 3/16-18UNEF	36,3
228M022	22	18	1 5/16-18UNEF	39,8
228M024	24	18	1 7/16-18UNEF	42,8

TABLE 2

ENTRY SIZE	ØY REF	ØZ REF	ØK MAX
03	4,77	13,1	NA
04	6,35	13,1	NA
05	7,92	13,1	21,0
06	9,52	17,9	21,0
07	11,12	17,9	21,0
08	12,70	17,9	24,5
09	14,27	17,9	24,5
10	15,87	24,2	29,0
11	17,47	24,2	32,5
12	19,05	24,2	32,5
13	20,62	24,2	35,5
14	22,23	30,6	35,5
15	23,82	30,6	37,0
16	25,40	30,6	37,0
17	26,98	33,2	40,0
18	28,60	33,2	40,0
20	31,80	42,0	43,5
21	33,34	42,0	48,5
22	35,00	42,0	48,5
24	38,10	42,0	52,1
28	44,45	49,0	58,5

If this document is printed it becomes uncontrolled. Check for the latest revision

DRAWN	K.WINCZURA	DATE	24/06/2015	 3RD ANGLE PROJECTION NOT TO SCALE	TITLE: BRAID TAIL BACKSHELL	 Polamco 		
CHECKED		24/06/2015						
APPROVED	K.SHEPPARD	06/07/2015	UNLESS OTHERWISE SPECIFIED ALL DIMENSIONS IN MILLIMETRES GENERAL TOL LINEAR +/-0,25MM ANGULAR +/- 1°					
APPROVED	H.SMITH	07/07/2015						
REVISIONS					ASSY USED ON: MIL-DTL-81703 SERIES III, MS3424, MS3446, MS3464, MS3467, MS3468, CLASS E & I			
LTR	DESCRIPTION	DATE	APPROVED					
C	REVISED PER ECO-14-009599	06/26/2014	I. MYONG					
D	REVISED PER ECO-15-009992	07/07/2015	H.SMITH					
TE CAGE CODE: 06090 POLAMCO/TE CAGE CODE: U5792					TE CONNECTIVITY - POLAMCO LTD RESERVES THE RIGHT TO AMEND THIS DRAWING AND THE INFORMATION SET FORTH HEREON AT ANY TIME. USERS SHOULD INDEPENDENTLY EVALUATE THE SUITABILITY OF THE PRODUCT FOR THEIR APPLICATION.	DRAWING NO: 228M0XX	DRAWING REV: D	SHT 2