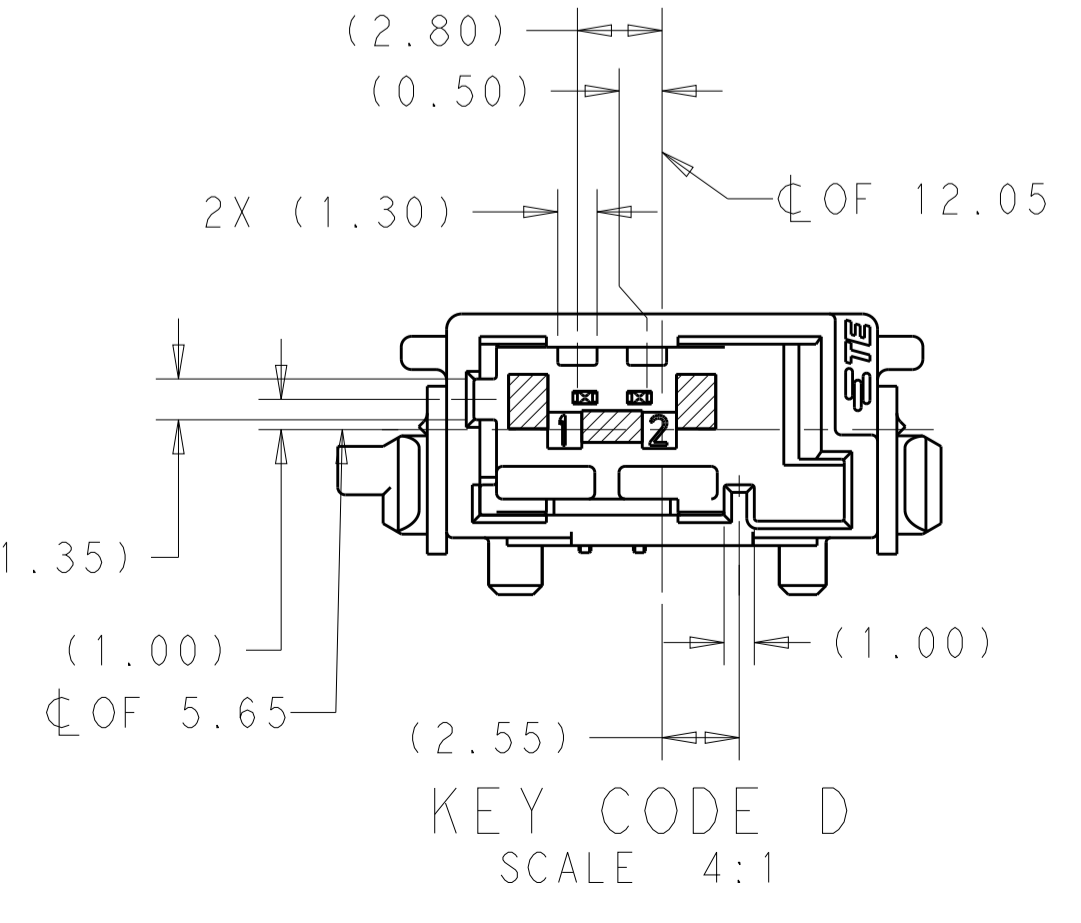
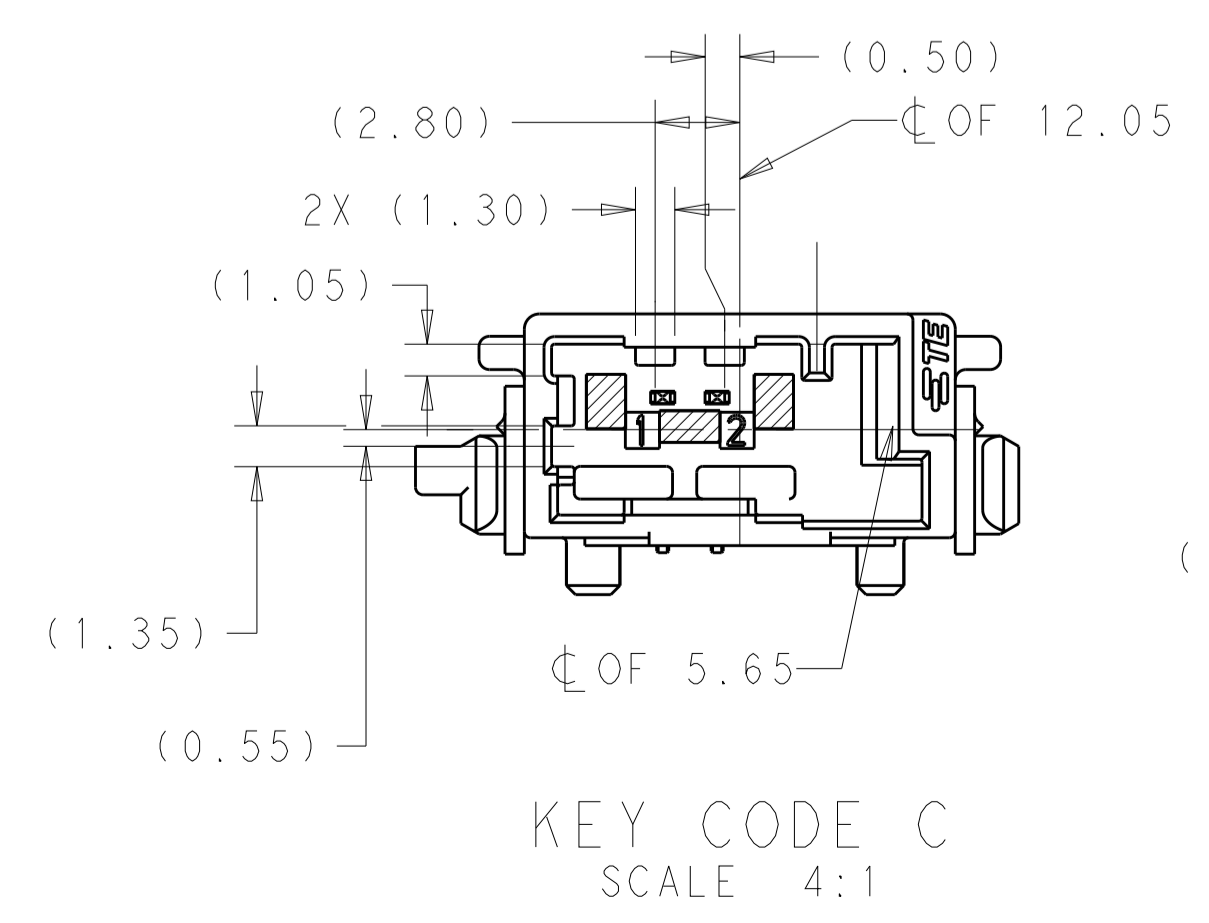
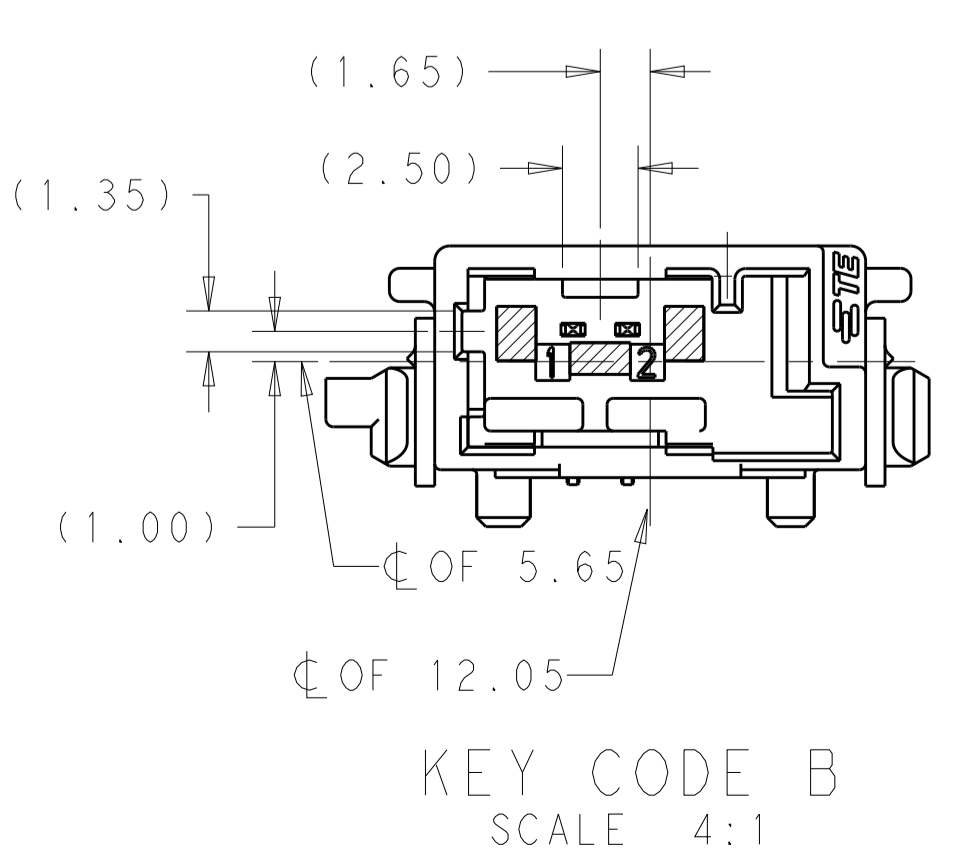
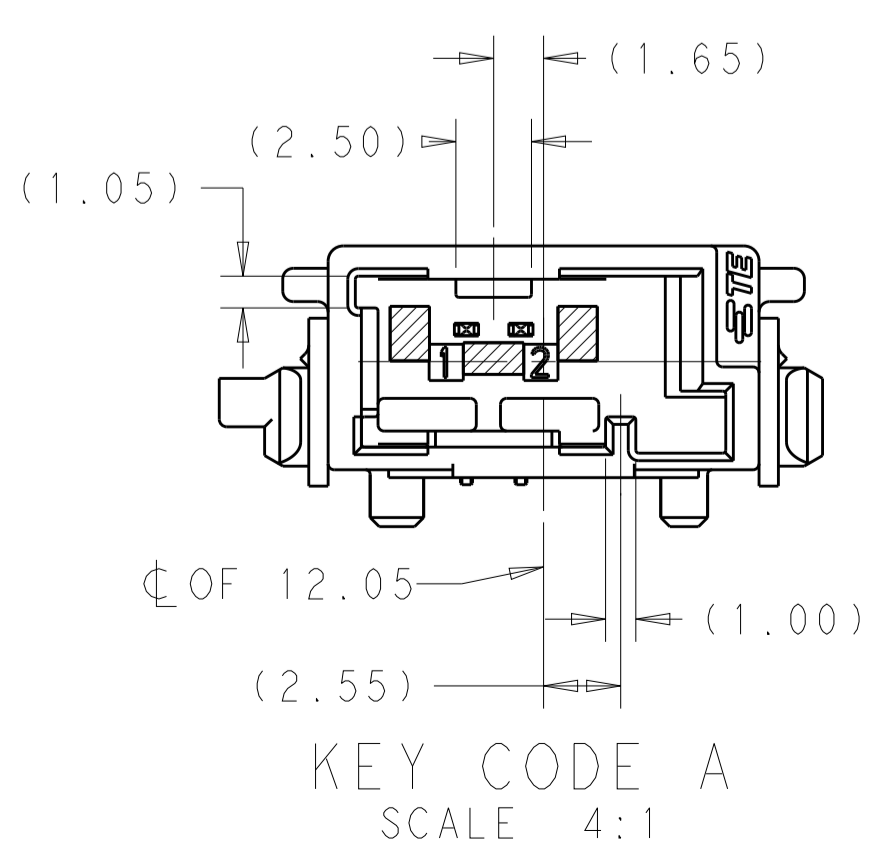
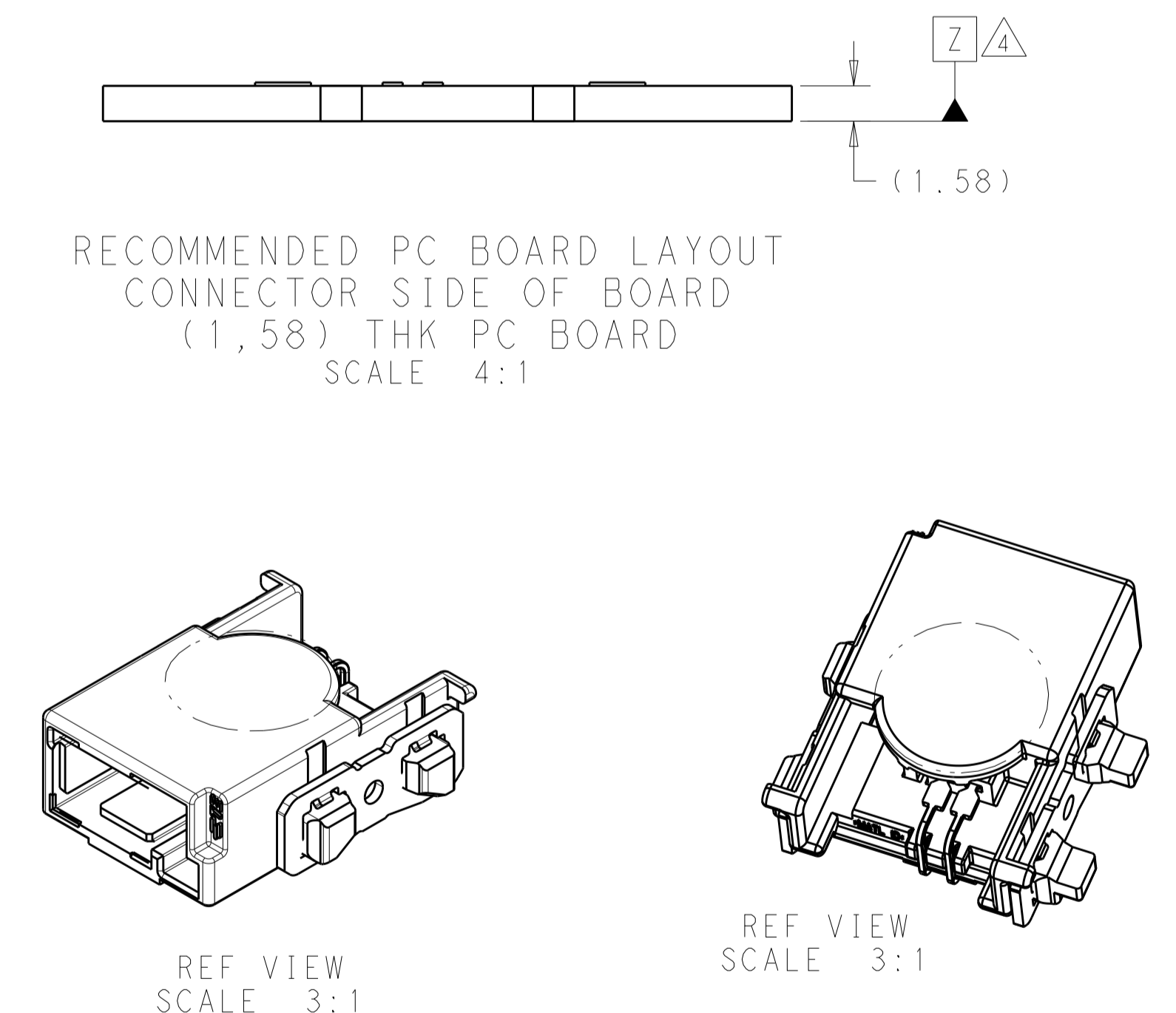
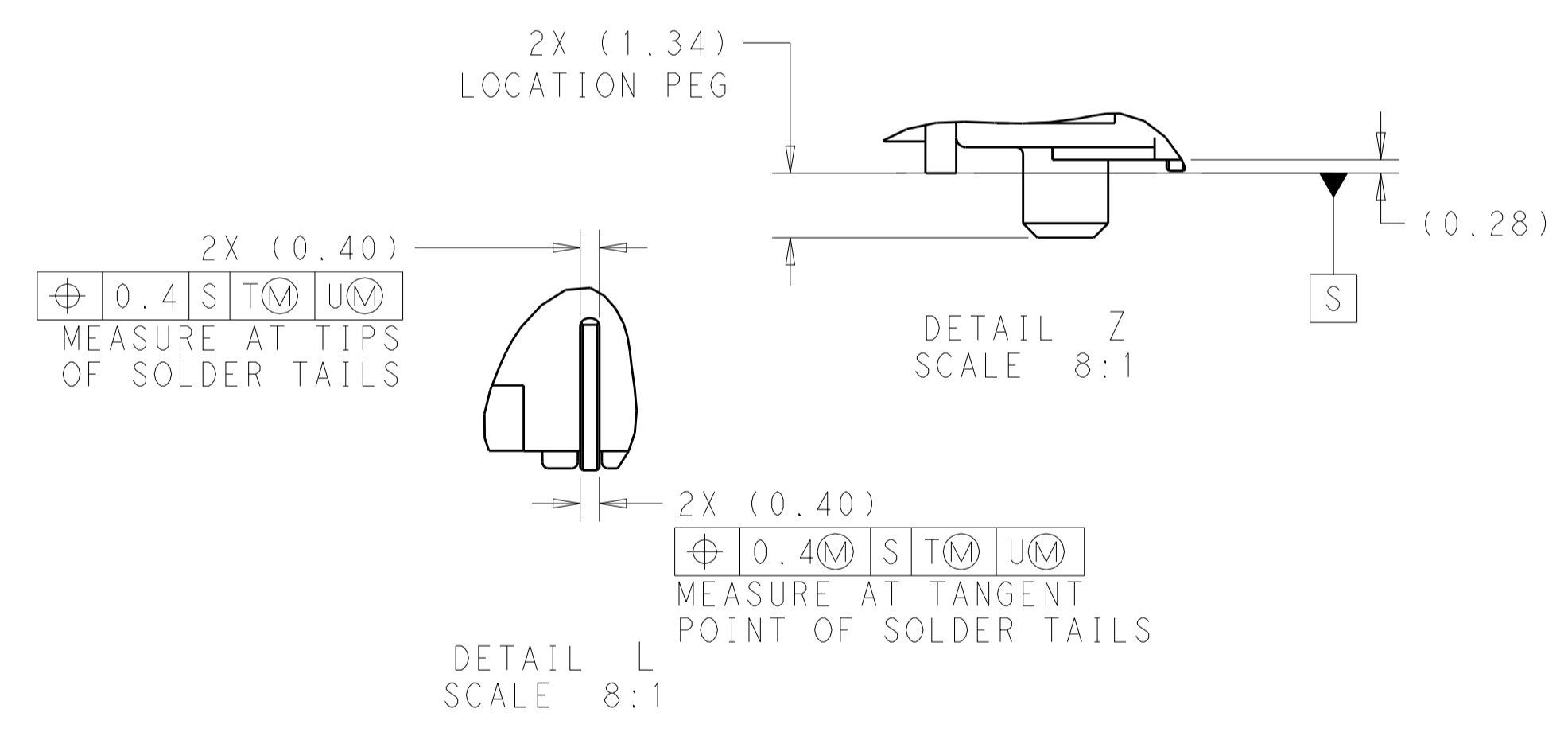
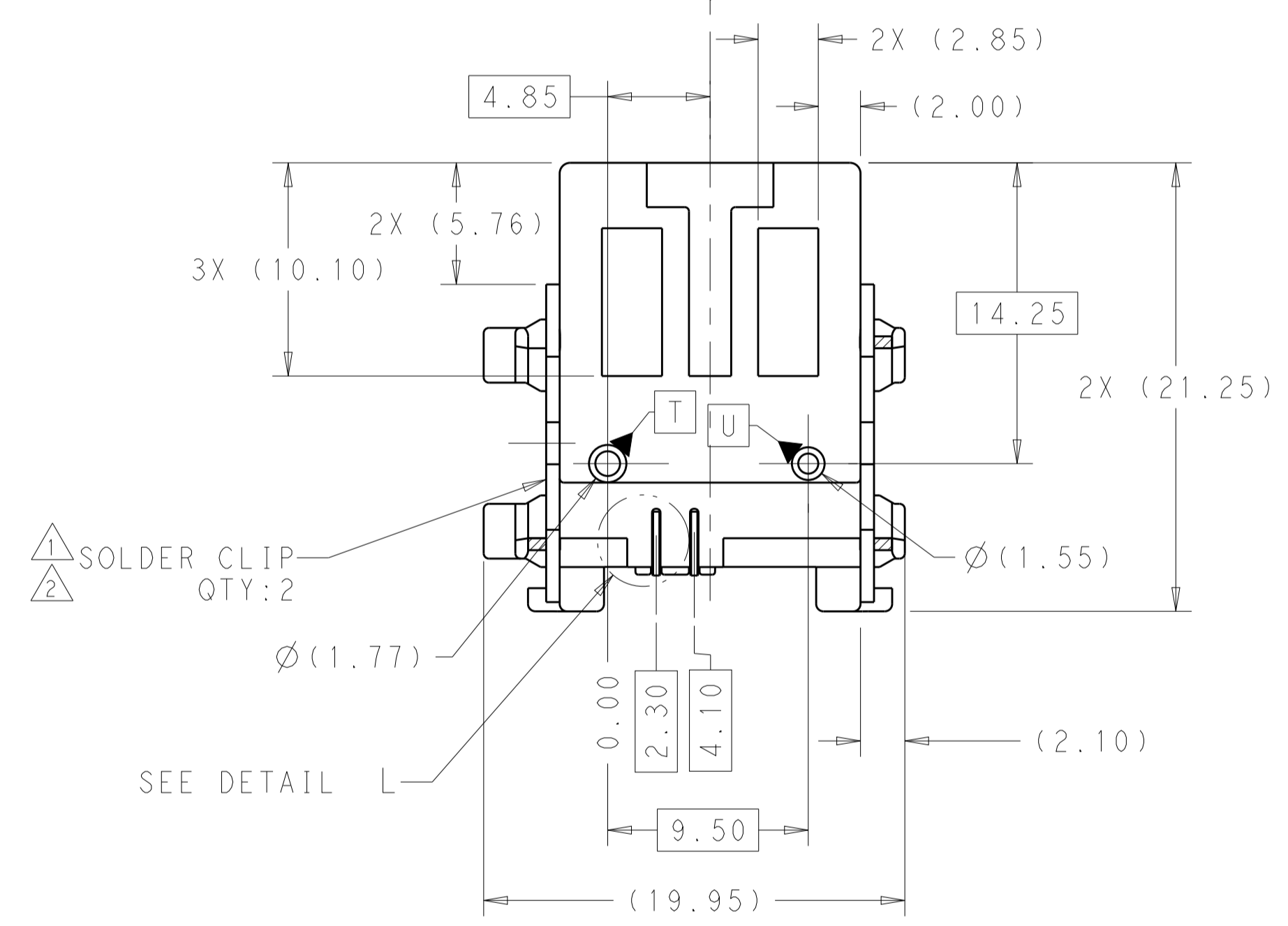
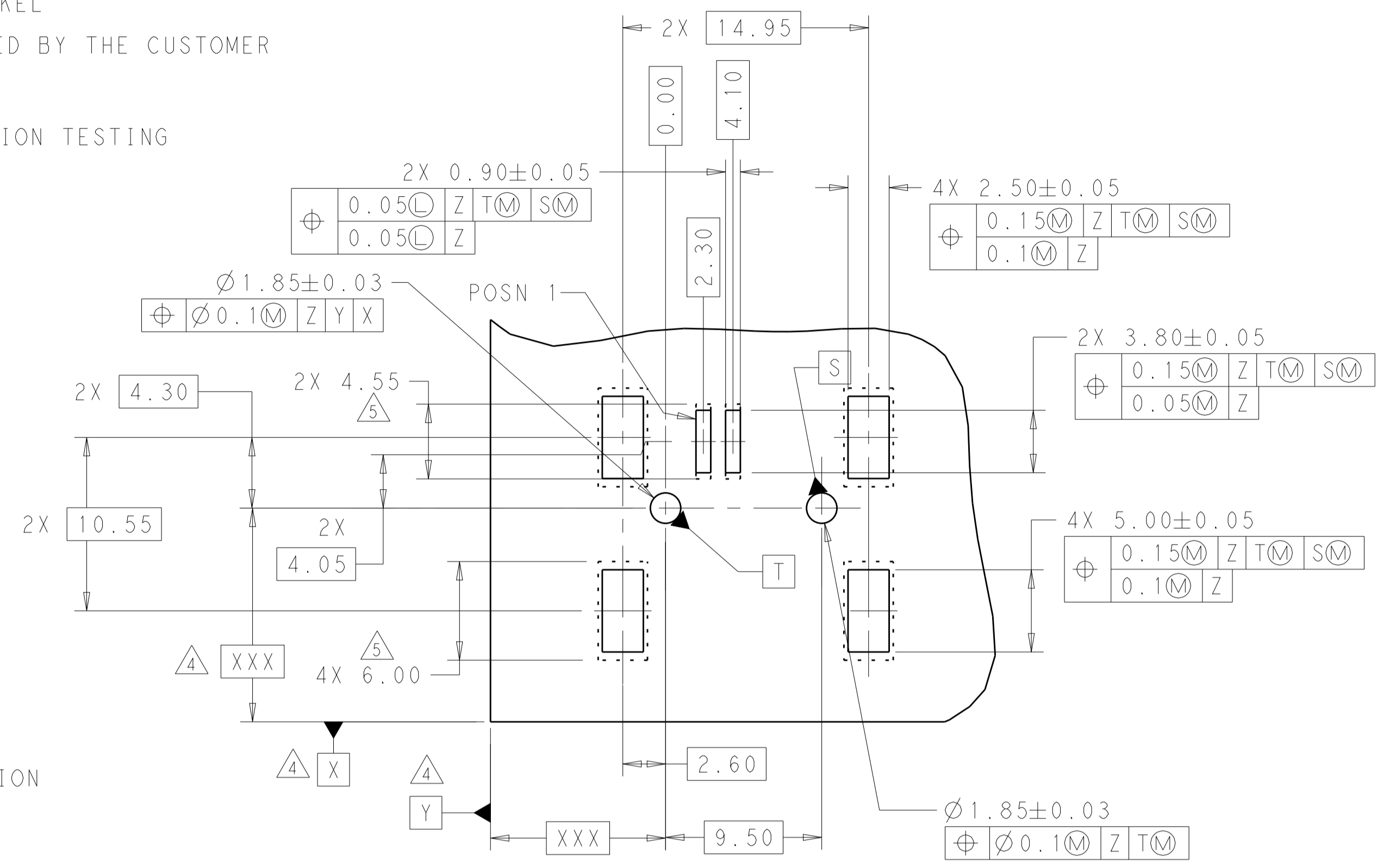
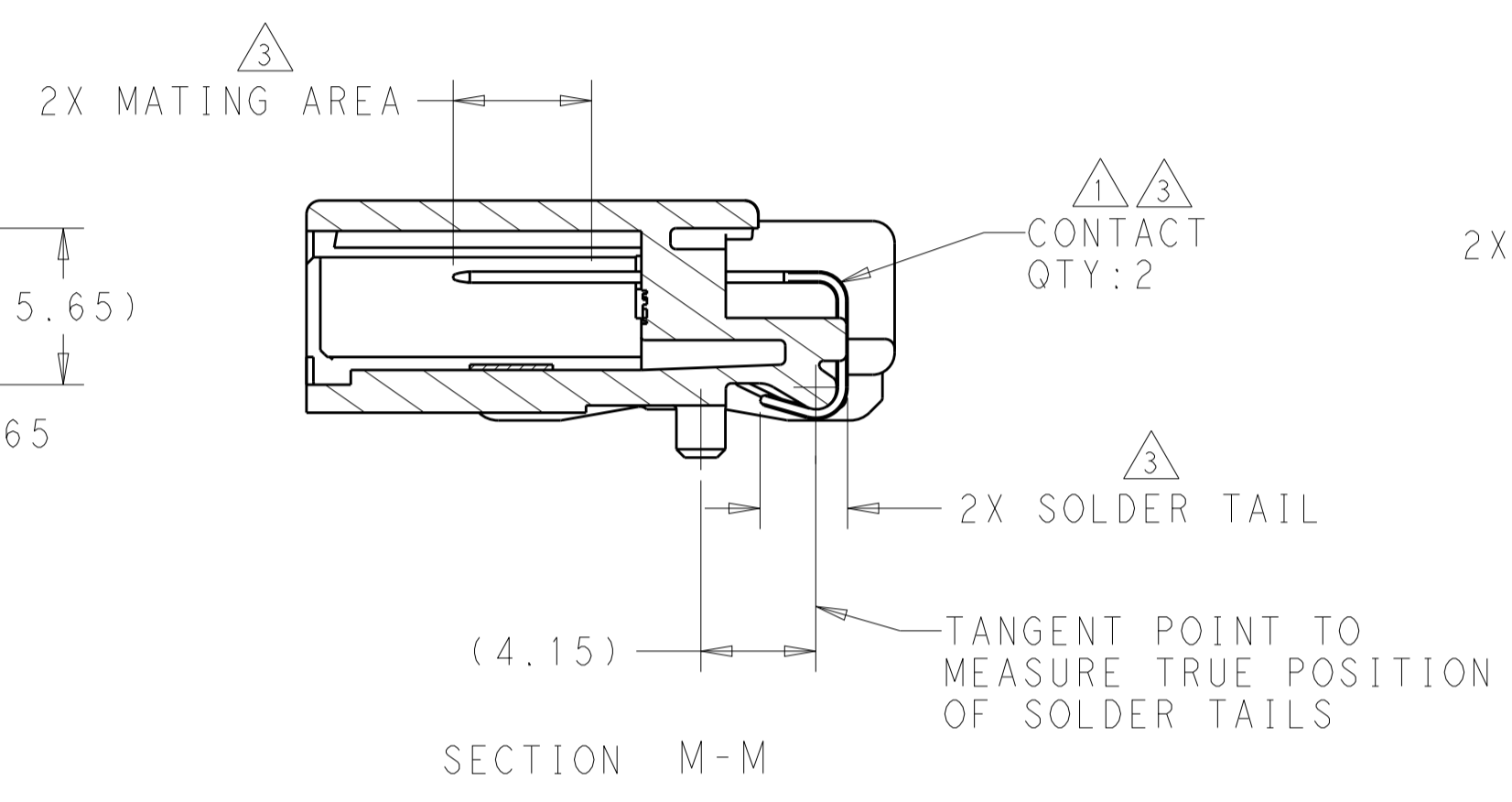
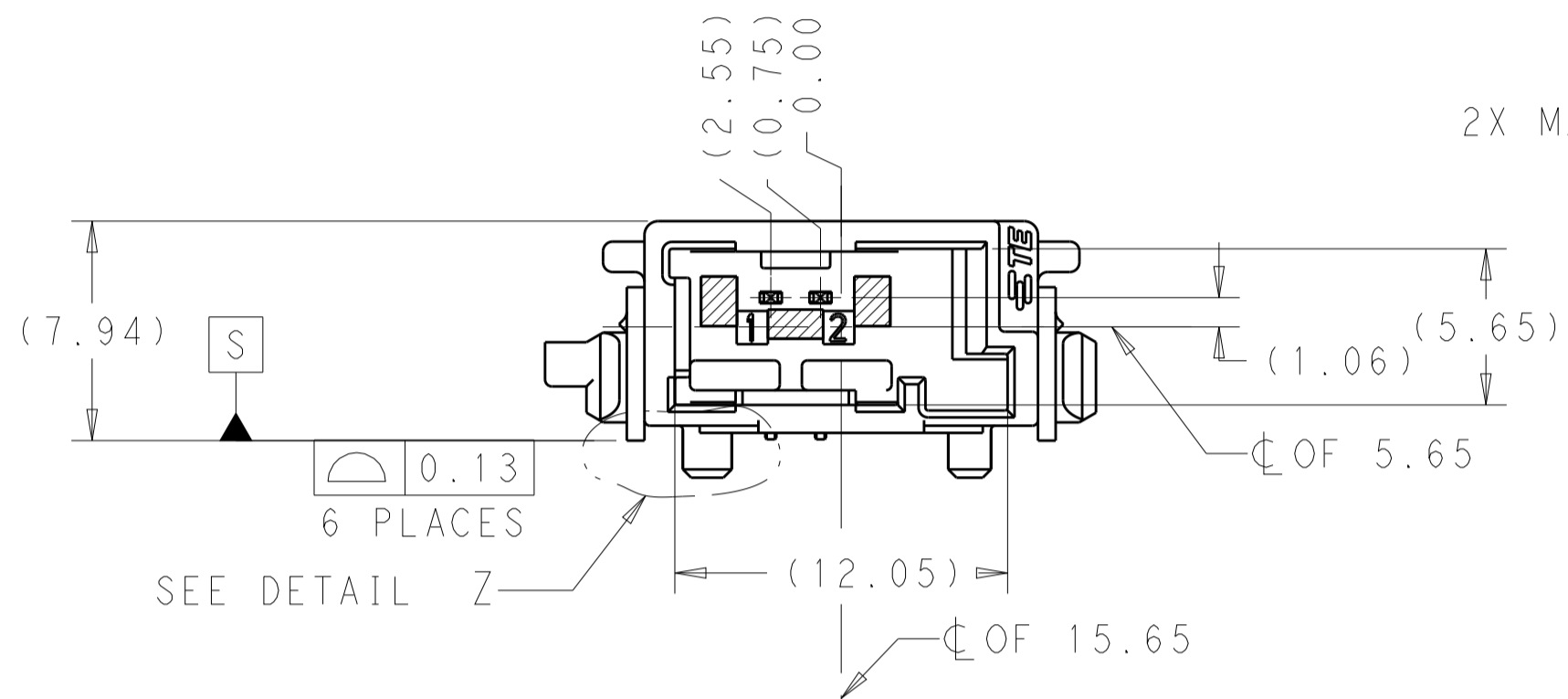
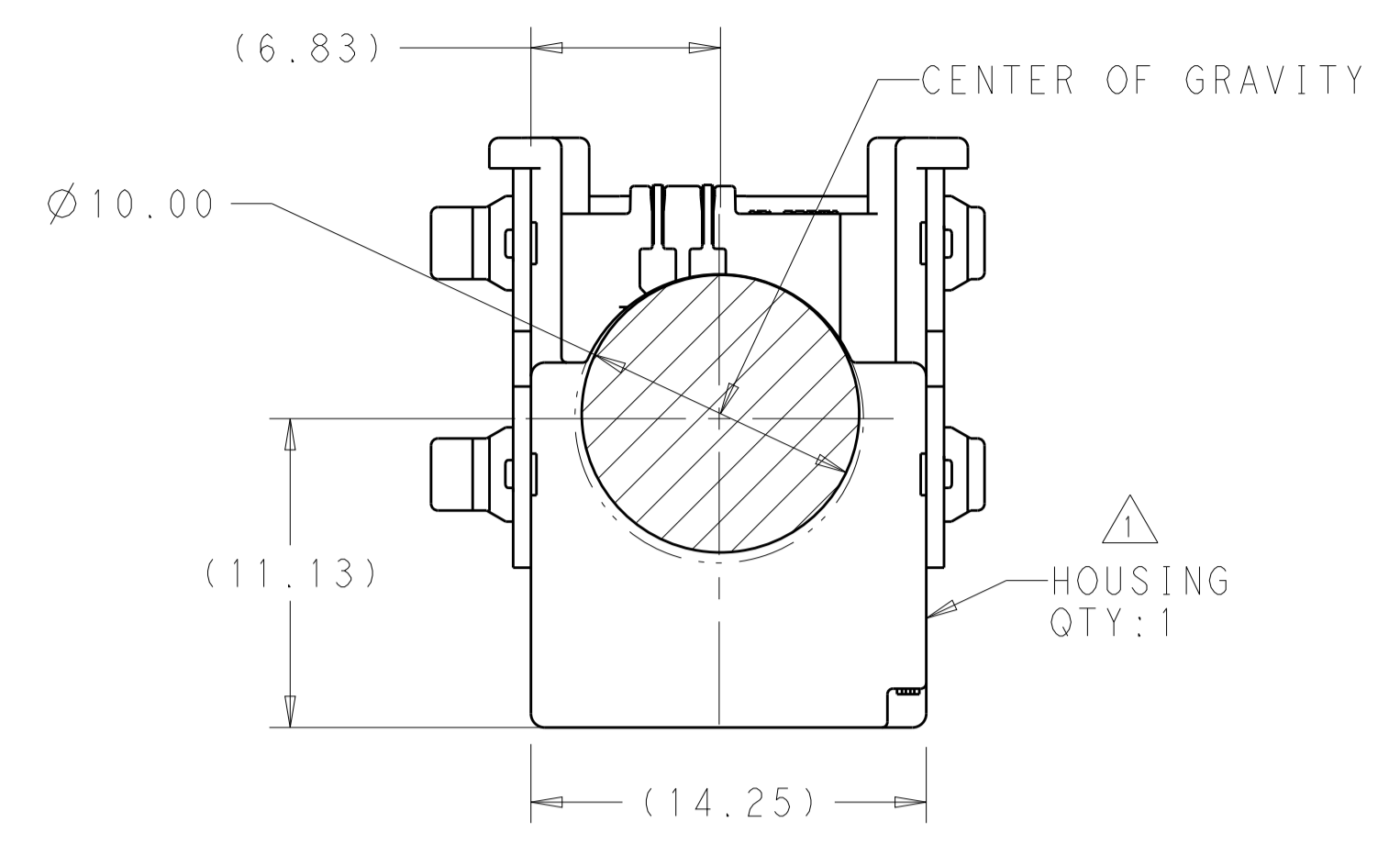


REVOLUTIONS		DATE	OWN	APVD
NO.	DESCRIPTION			
2	REVISED	22JUN2017	HM	DF

PRELIMINARY
 NOT RELEASED FOR PRODUCTION

- 1 HOUSING: PCT, COLOR - BLACK
 CONTACTS: BRASS
 SOLDER CLIP: BRASS
- 2 SOLDER CLIP: 3.8µm MIN TIN OVER 1.27µm MIN NICKEL
- 3 CONTACT: 0.8µm MIN TIN IN MATING AREA AND 2.5µm MIN TIN IN SOLDER TAIL ALL OVER 2.00µm MIN NICKEL
- 4 DATUMS AND BASIC DIMENSIONS ESTABLISHED BY THE CUSTOMER
- 5 ALLOW FOR OVER PRINTING ON PC BOARD
- 6 THIS PRODUCT HAS NOT COMPLETED VALIDATION TESTING
- 7 PRELIMINARY - NOT FOR PRODUCTION



KEY CODE D	2291330-4
KEY CODE C	2291330-3
KEY CODE B	2291330-2
KEY CODE A	2291330-1
KEY CODE	PART NUMBER

THIS DRAWING IS A CONTROLLED DOCUMENT.		OWN: H. MOLL	ZOMAR2014
DIMENSIONS: mm		CHK: D. FRY	NAME: HEADER ASSEMBLY, 1X2, SIDE LATCH, 1.80 CENTERLINE, SMT, UNSEALED, GENERATION 50
TOLERANCES UNLESS OTHERWISE SPECIFIED:		APVD: D. FRY	PRODUCT SPEC: APPLICATION SPEC
0 PLC	±	SIZE: A1	
1 PLC	±	CAGE CODE: 2291330	
2 PLC	±	DRAWING NO: 2291330	
3 PLC	±	RESTRICTED TO: Customer Drawing	
4 PLC	±	WEIGHT: 2.5 g	
ANGLES	±	SCALE: 4:1	
MATERIAL: PCT	FINISH: SOLDER CLIP	SHEET 1 OF 1	
		REV 2	