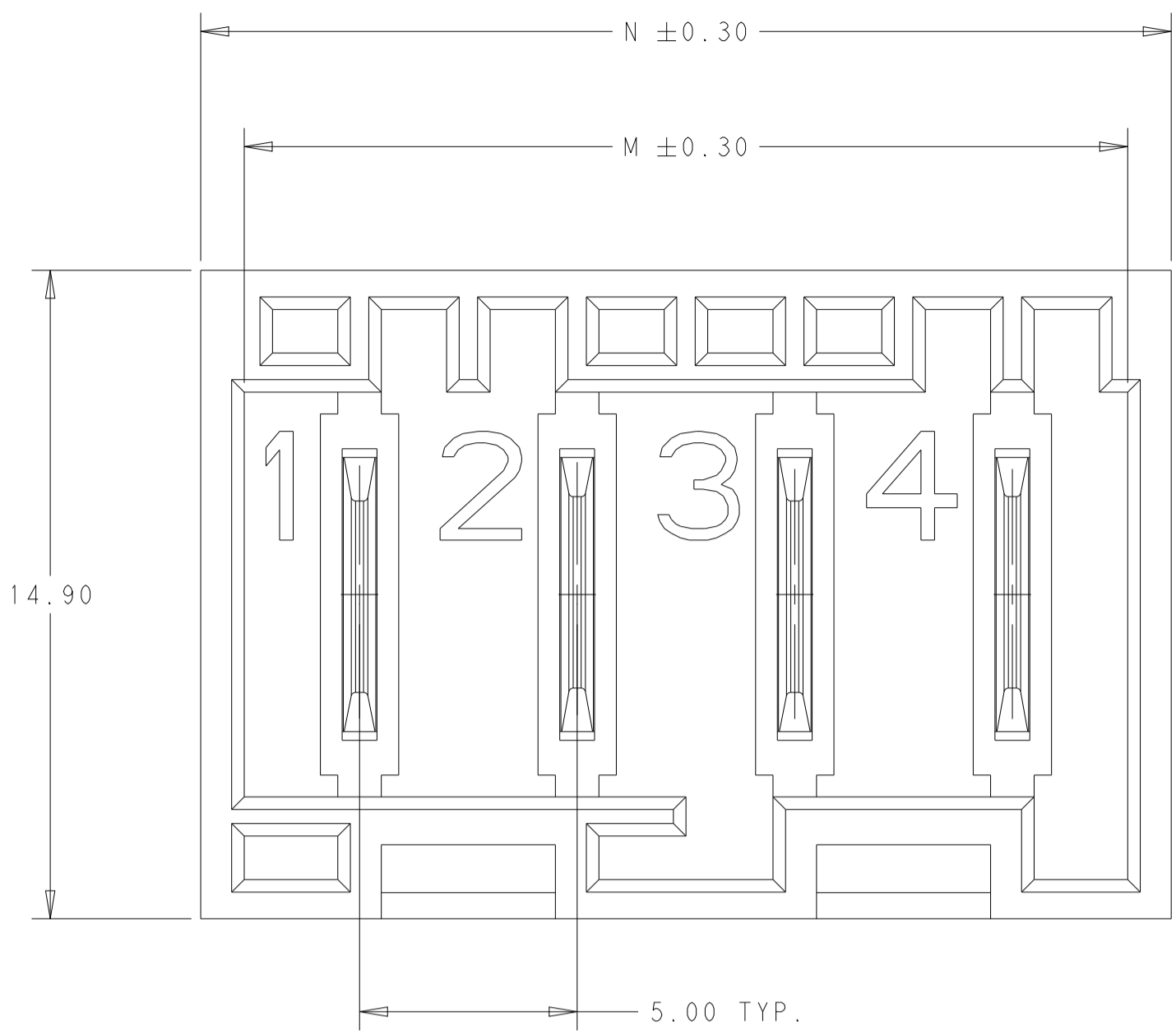
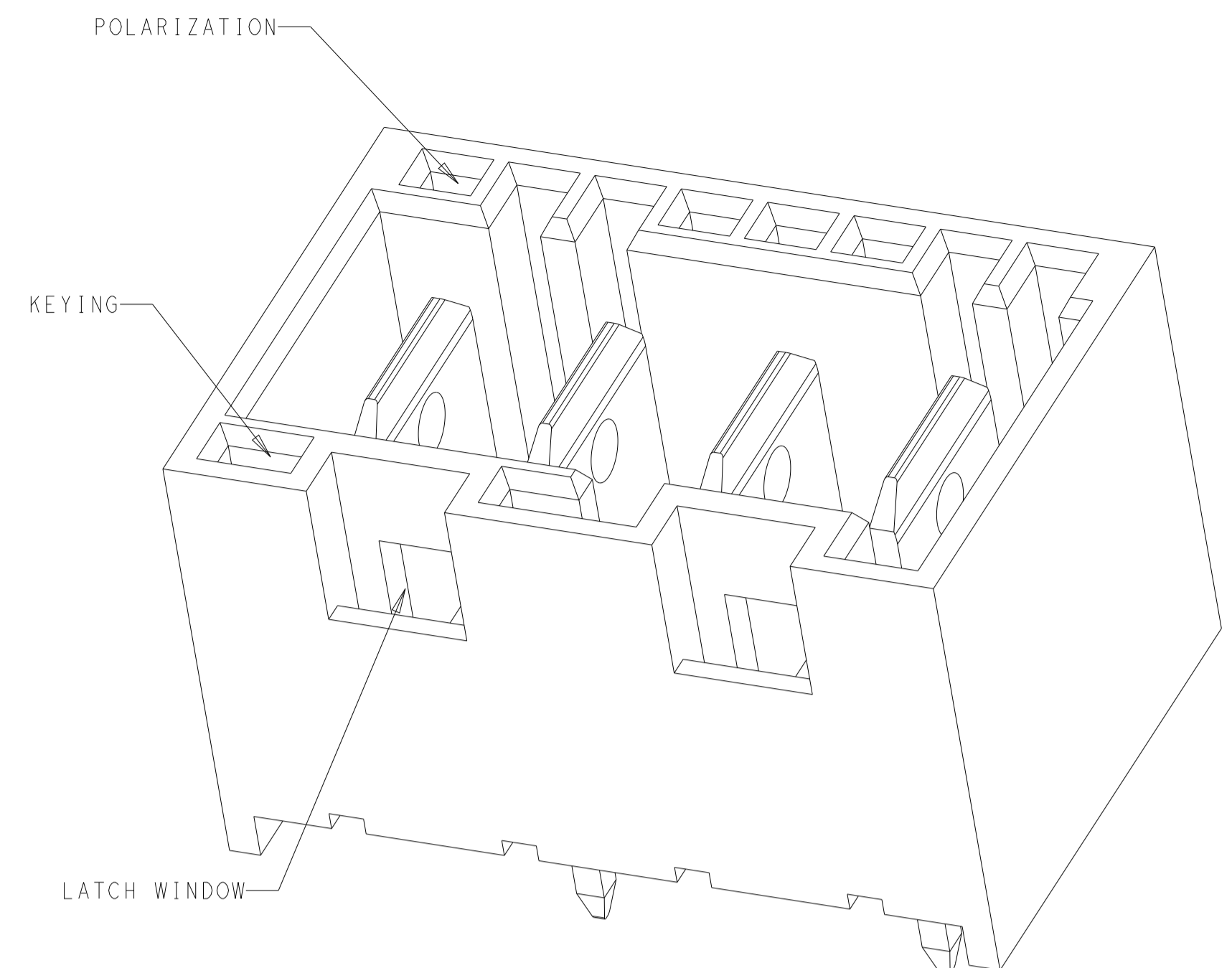
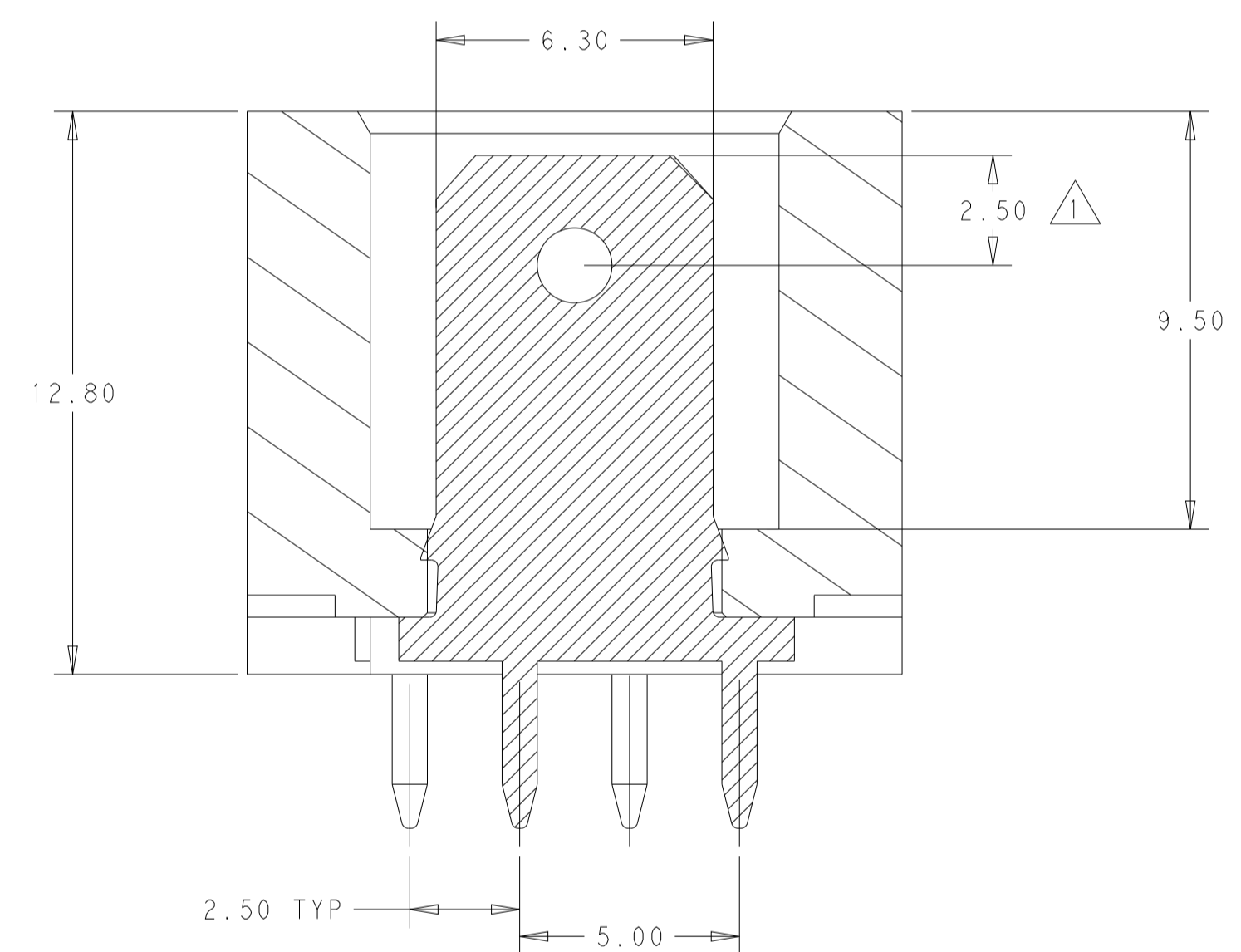
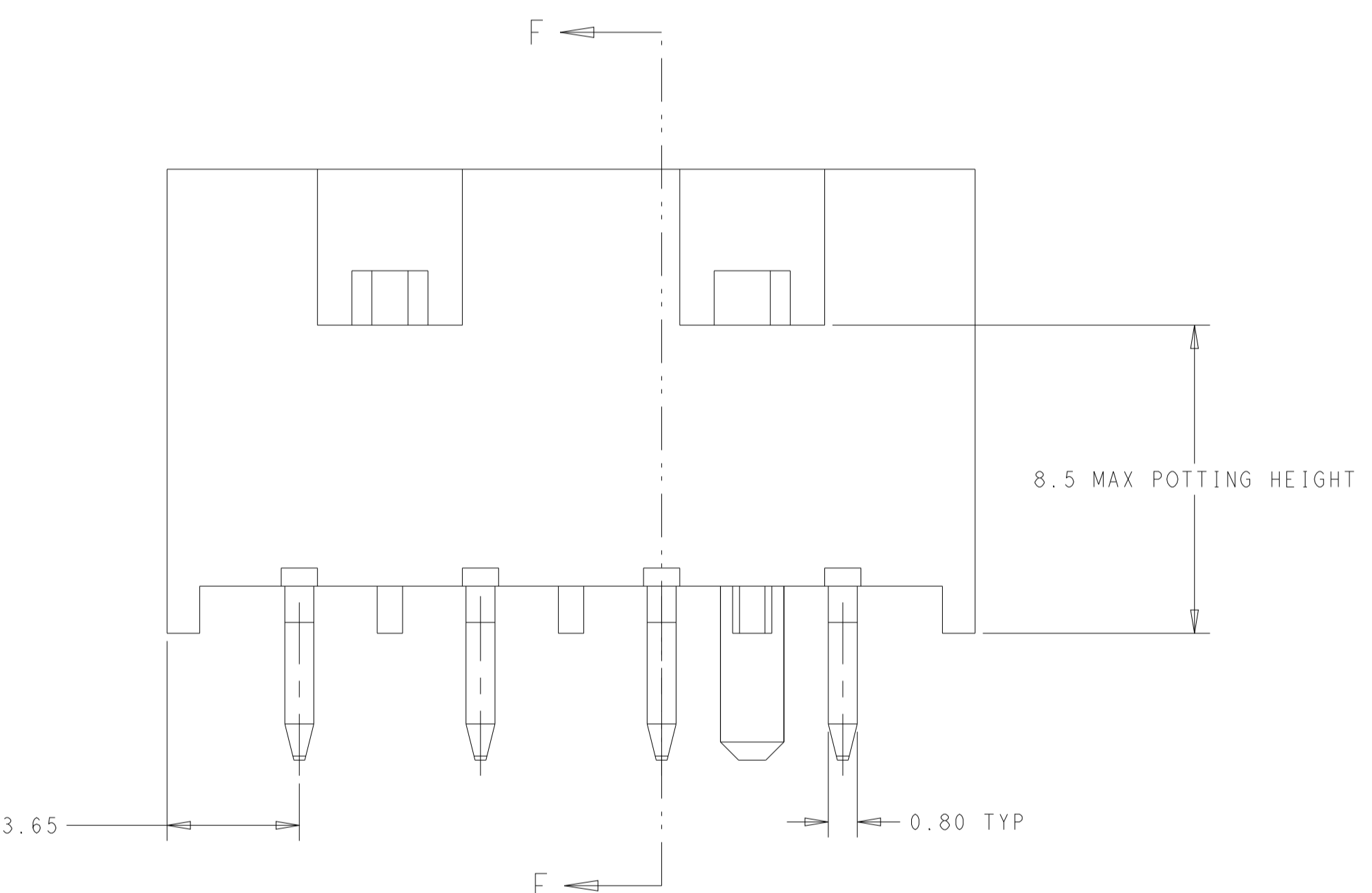
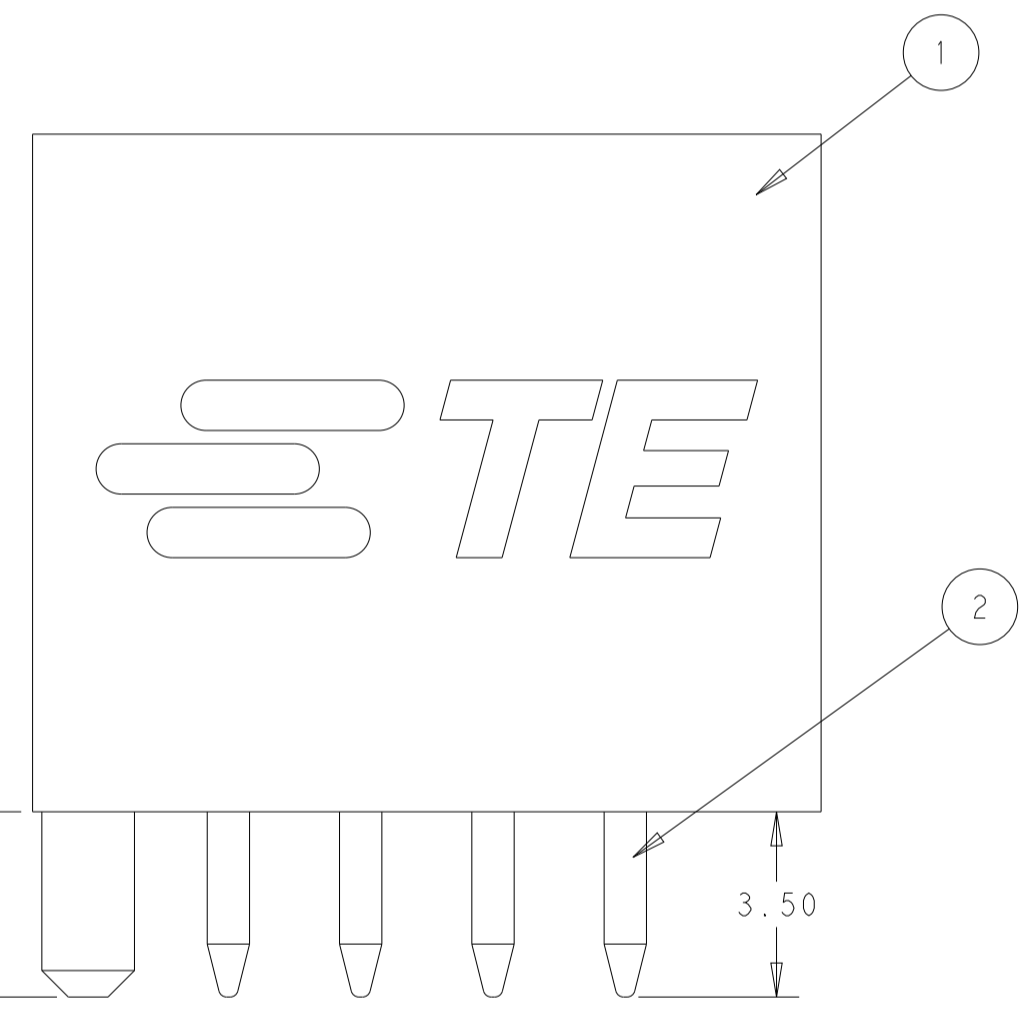


REVISIONS					
P	LTN	DESCRIPTION	DATE	DMN	APVD
B1	ECR-21-105673		06JUL2021	LZ	FL
B2	ECR-21-118862		10NOV2021	SM	FL
B4	ECR-24-207086		09MAY2024	SP	FL
B5	ECR-25-237661		19MAR2025	SP	FL

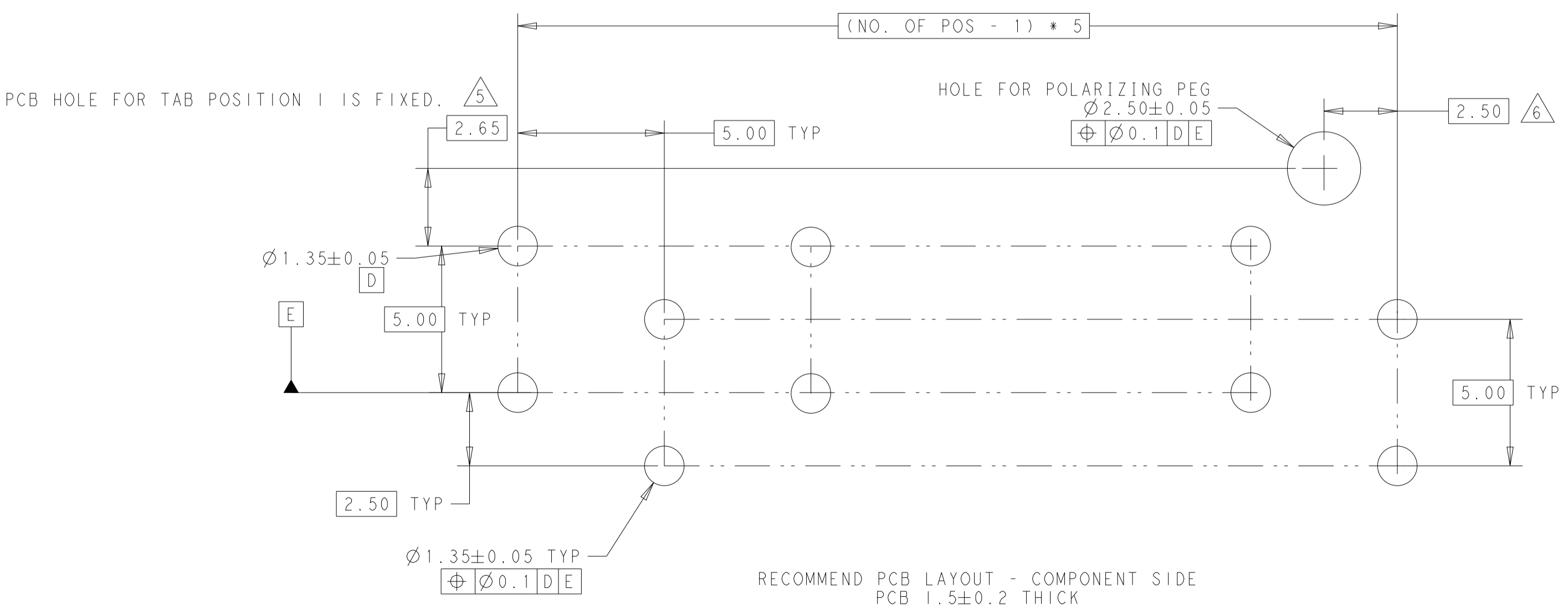


NOTES:

- △ HOUSING HAS RAST 5 COMPLIANT KEYING, LATCHING, AND POLARIZATION TAB IS 6.30 X 0.8, HOWEVER THE LOCATION OF THE TAB HOLE DOES NOT MEET DIN 46244
- 2 SEE SHEET 2 FOR AVAILABLE CONFIGURATIONS
- 3 MATERIAL: HOUSING, NYLON, UL94 V0, 750°C GWT NO FLAME
CONTACT: COPPER ALLOY, 0.8MM THICK
- 4 FINISH: CONTACTS, MATTE TIN PLATING OVERALL, NICKEL UNDER-PLATING
- △ INVOLVED PARTS NOT HAVE THE SAME PCB LAYOUT AS GENERAL VERSION. PCB TABS INSERTED IN A STAGGERED PATTERN BEGINNING WITH POSITION 1 AS SHOWN (PCB HOLE POSTION FOR TAB 1 IS FIXED).
- △ DIMENSION OFF OF LAST POSITION REGARDLESS OF EVEN OR ODD POSITION HEADER
- 7 PACKAGING: LOOSE PIECE
- △ PRELIMINARY PART - NOT RELEASED FOR PRODUCTION THIS PRODUCT HAS NOT COMPLETED QUALIFICATION TESTING
- 9 INVOLVED PARTS HAVE NOT THE SAME PCB LAYOUT



SECTION F-F



△ TOOL MARK ON TERMINAL SURFACE IS ACCEPTABLE WHICH DOES NOT IMPACT FUNCTION

30.30	32.30	6
25.30	27.30	5
20.30	22.30	4
15.30	17.30	3
10.30	12.30	2
M	N	NO. OF POS.

THIS DRAWING IS A CONTROLLED DOCUMENT.

DMN: J. POTERJOY 09APR2015
CHK: F. LUPO 09APR2015
APVD: R. ROBONE 09APR2015

DIMENSIONS: mm
TOLERANCES UNLESS OTHERWISE SPECIFIED:
0 PLC ±
1 PLC ±
2 PLC ±0.25
3 PLC ±
4 PLC ±
ANGLES ±3°
FINISH SEE NOTES

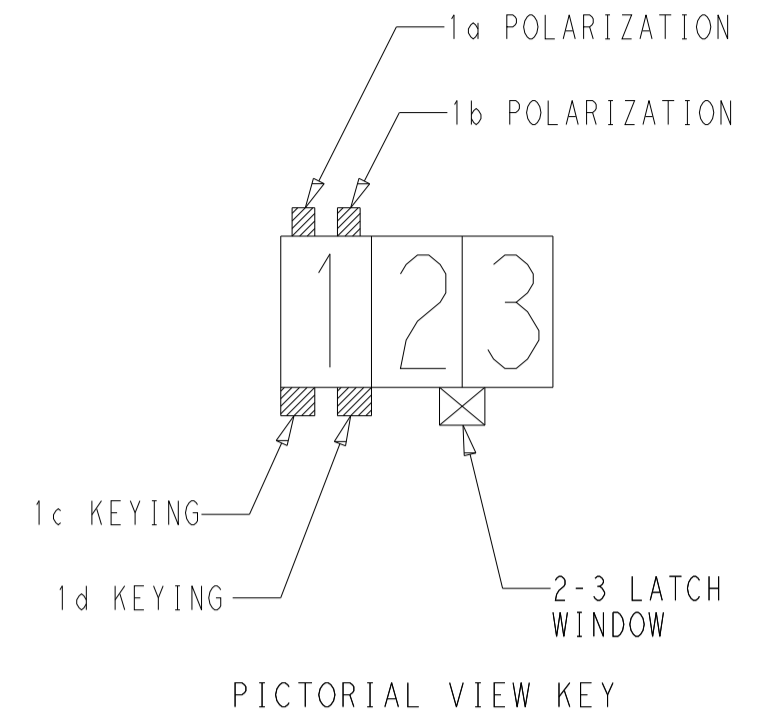
MATERIAL: SEE NOTES

NAME: RAST 5 HDR ASSY, POSITIVE-LOCK SHROUDED, VERTICAL
PRODUCT SPEC: 108-106080
APPLICATION SPEC: -

SIZE: A1
CAGE CODE: -
DRAWING NO: C=2292457
RESTRICTED TO: -

CUSTOMER DRAWING
SCALE: 7:1
SHEET: 1 OF 2
REV: B5

REVISIONS				
P	LTN	DESCRIPTION	DATE	APVD
-		SEE SHEET 1	-	-



	NATURAL	6	POSITIVE-LOCK TAB CONTACT WITH MATTE TIN PLATING	1	RAST 5 TAB HEADER HOUSING	6	/	2390868-6
	NATURAL	5				5	1-2292457-5	/
	NATURAL	5				5	2292457-5	/
	NATURAL	4				4	3-2292457-4	3-2390868-4
	NATURAL	4				4	1-2292457-4	/
	NATURAL	4				4	2292457-4	2390868-4
	NATURAL	3				3	1-2292457-3	/
	NATURAL	3				3	2292457-3	2390868-3
	BLACK	2				2	3-2292457-2	/
	NATURAL	2				2	1-2292457-2	1-2390868-2
	NATURAL	2				2	2292457-2	2390868-2
LAYOUT	COLOR	QTY				TAB CONTACT	QTY	HEADER HOUSING
							TE PART NO.	

THIS DRAWING IS A CONTROLLED DOCUMENT.

DIMENSIONS: mm
 TOLERANCES UNLESS OTHERWISE SPECIFIED:
 0 PLC ±
 1 PLC ±0.25
 2 PLC ±
 3 PLC ±
 4 PLC ±
 ANGLES ±3°
 FINISH SEE NOTES

DWG: J. POTERJOY 09APR2015
 CHK: F. LUPO 09APR2015
 APVD: R. ROBONE 09APR2015

TE Connectivity
 NAME: RAST 5 HDR ASSY, POSITIVE-LOCK SHROUDED, VERTICAL
 PRODUCT SPEC: 108-106080
 APPLICATION SPEC:

MATERIAL: SEE NOTES
 WEIGHT: -
 CUSTOMER DRAWING

SIZE: A1
 CAGE CODE: -
 DRAWING NO: C=2292457
 RESTRICTED TO: -

SCALE: 7:1
 SHEET: 2 OF 2
 REV: B5