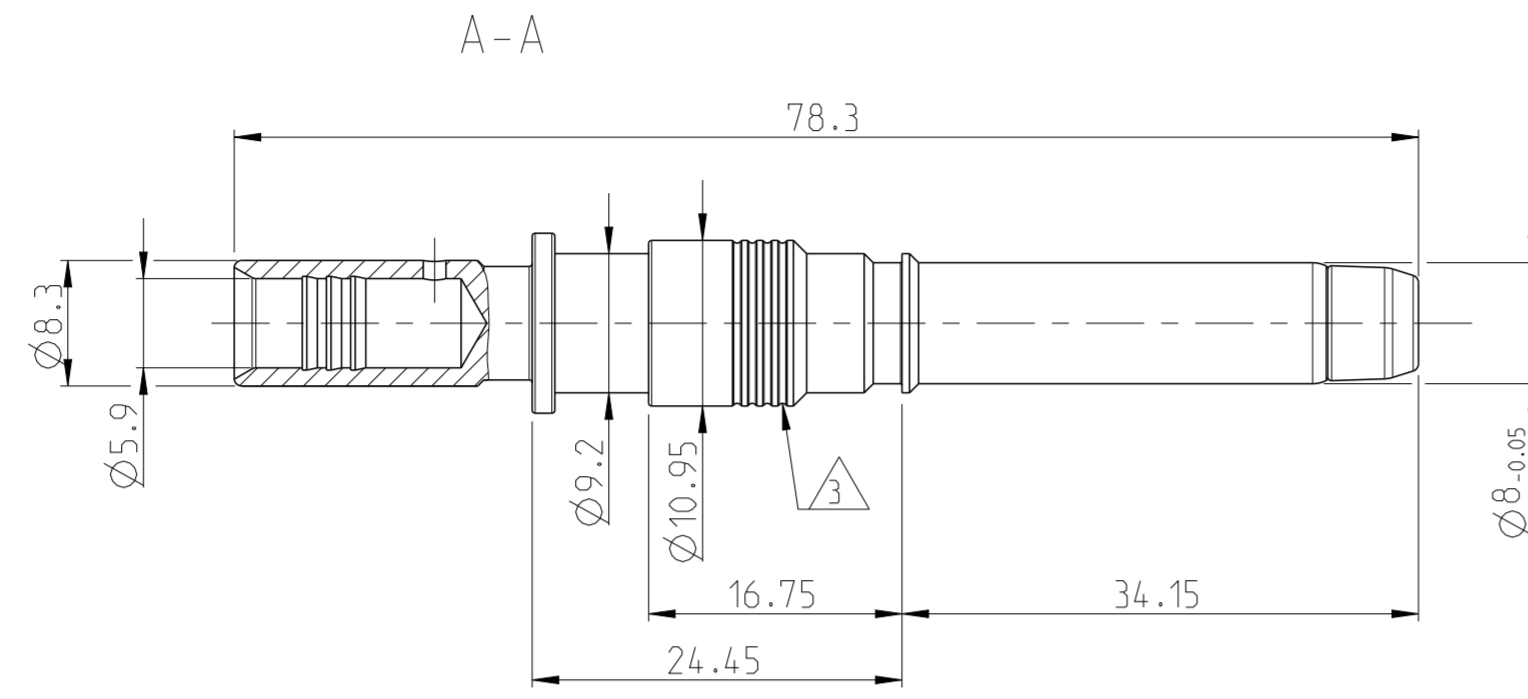


THIS DRAWING IS UNPUBLISHED. RELEASED FOR PUBLICATION
 © COPYRIGHT copyright_date BY - ALL RIGHTS RESERVED.

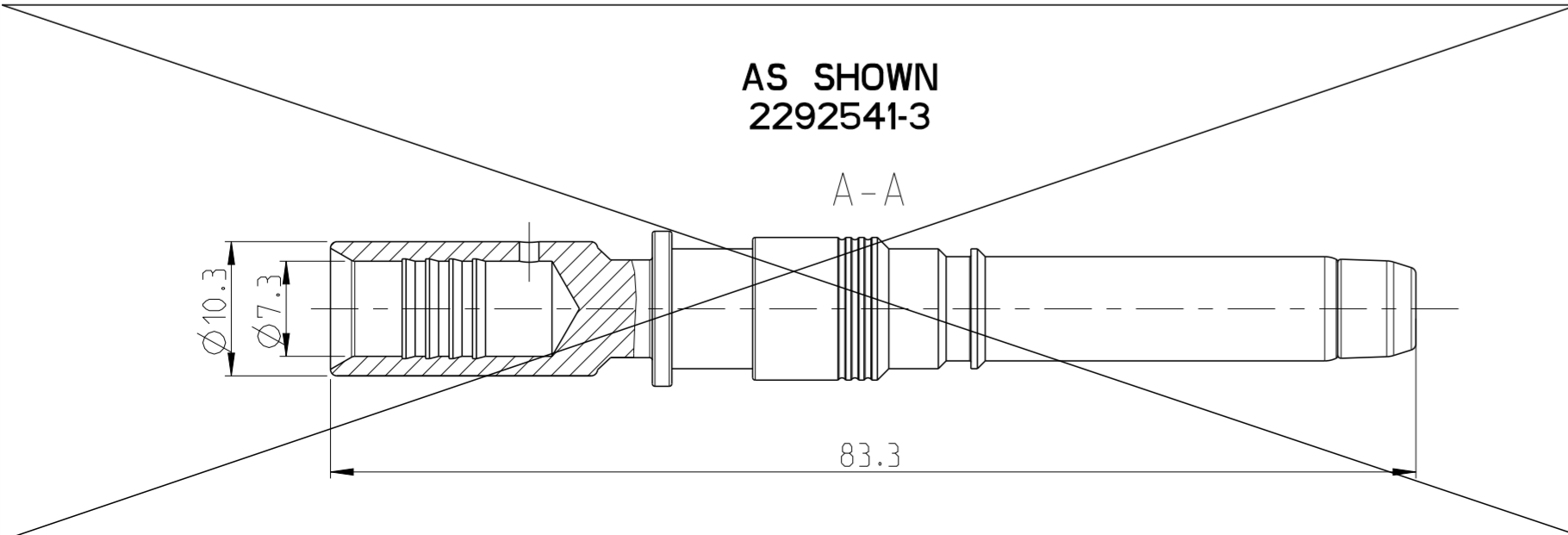
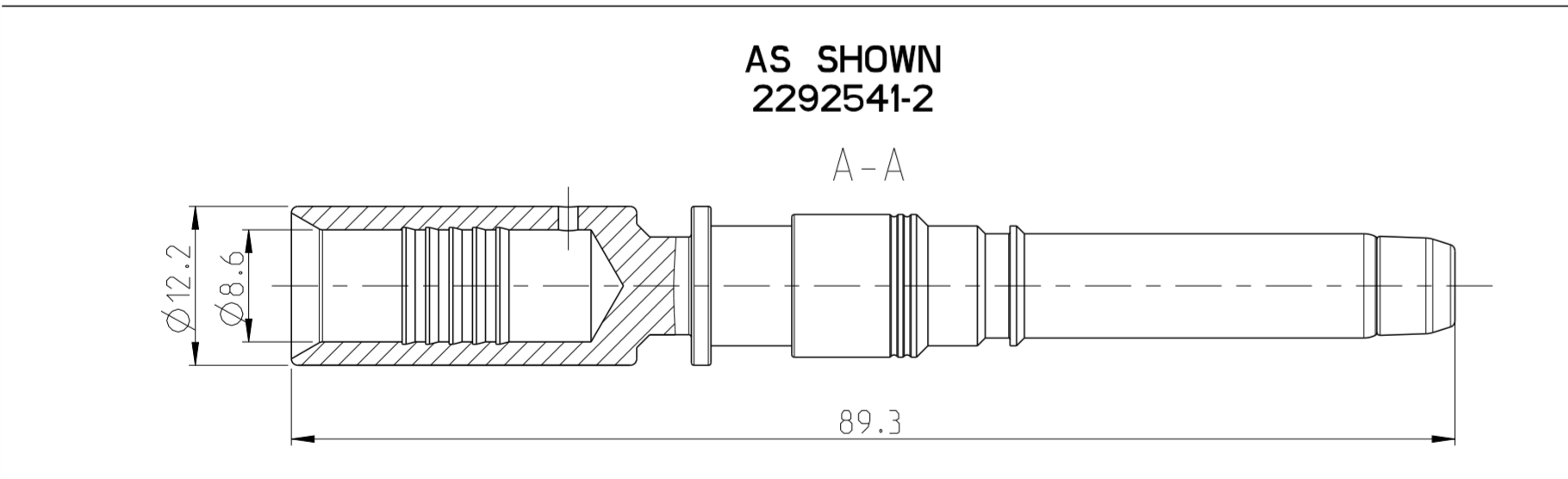
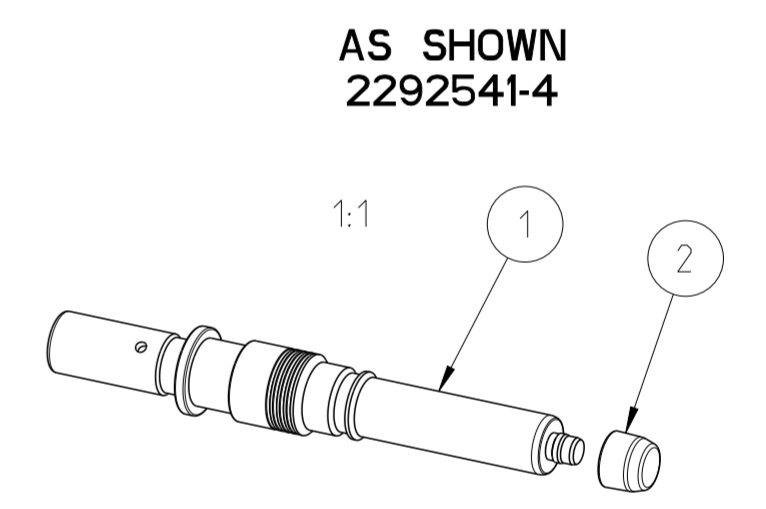
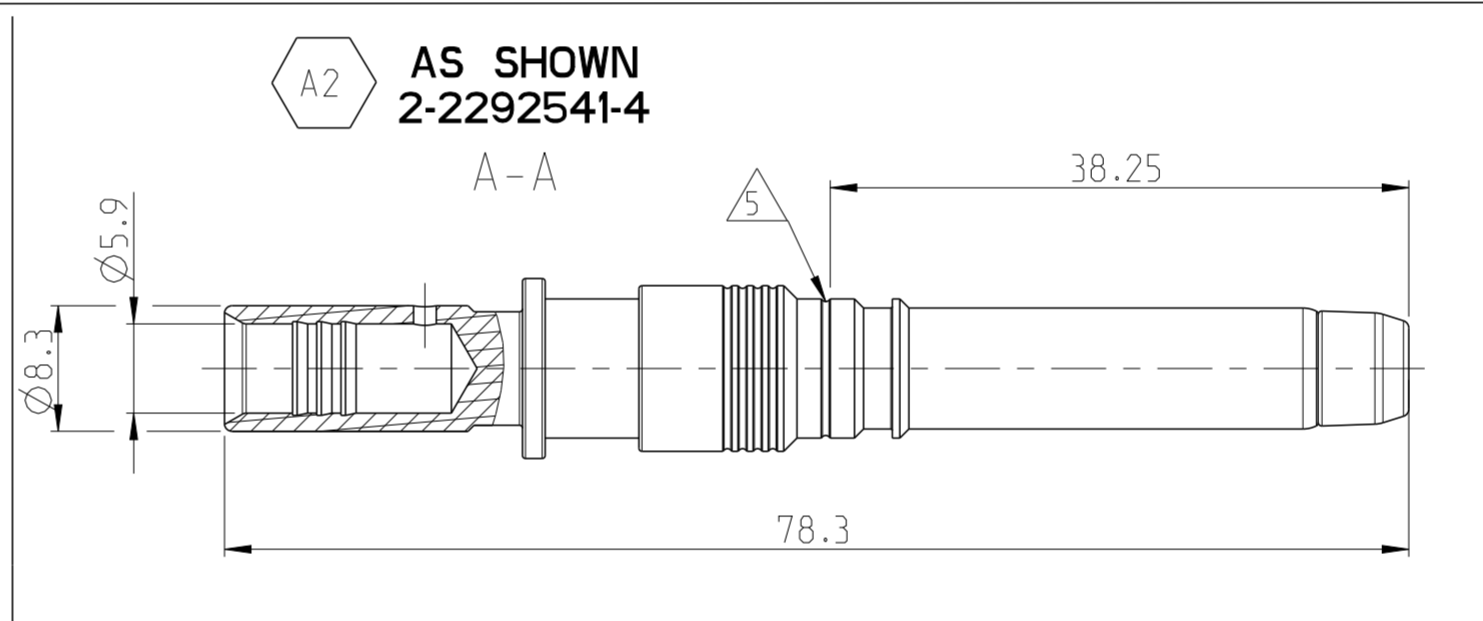
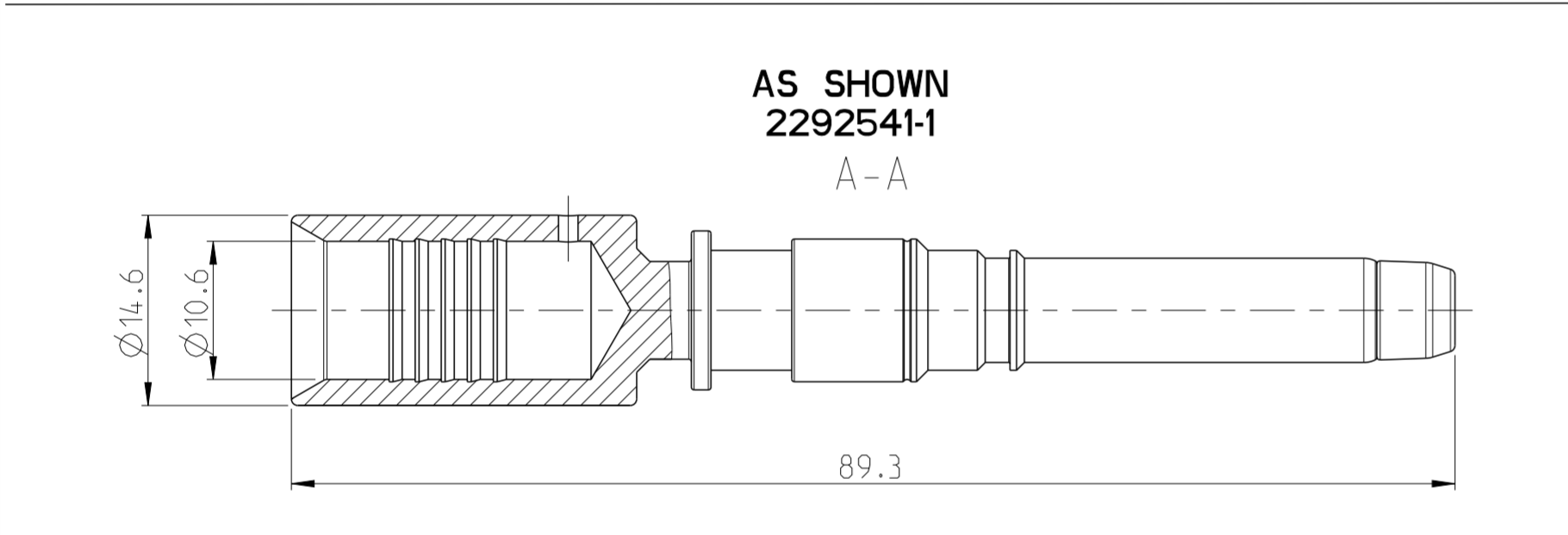
REVISIONS					
P	LTR	DESCRIPTION	DATE	DWN	APVD
1		NEW DRAWING	21JUN2016	AHM	FWI
A		PRODUCTION RELEASE. NOTES AND TABLE UPDATED	12MAY2017	AHM	FWI
A1		0- -1 VARINANT DIAMETER CORRECTED	23AUG2017	AHM	FWI
A2		New Note 5 and new PN 2-2292541-4	23MAR2020	FRAN	SCH.



NOTES

Bemerkungen

- IN CASE OF DISCREPANCIES BETWEEN GERMAN AND ENGLISH TEXT THE GERMAN TEXT IS BINDING
Im Falle von Unterschieden zwischen dem deutschen und dem englischen Text ist der deutsche Text verbindlich
- HANDLING OF PARTS ONLY WITH GLOVES
Teile duerfen nur mit Handschuhen angefasst werden
- CROSS SECTION MARKING:
NUMBER OF GROOVES ACC. NUMBER AFTER BASIS-PN
Kennzeichnung Leitungsquerschnitt:
Anzahl Einstiche gemaeess Nachstrichzahl
- TRAY PACKAGING IN CORRUGATED SHIPPING BOX
Tray-Verpackung im Versandkarton
- PLATING MARKING 6µm Ag
Kennzeichnung Beschichtung: 6µm Ag



QUANTITY PER ASSEMBLY					REVISION OF EACH ASSEMBLY COMPONENT					
2-2292541-4	2292541-4	2292541-3	2292541-2	2292541-1	DESCRIPTION	GROOVES	ITEM NO	WEIGHT (g)	MATERIAL	SURFACE/COLOR
1	1	1	1	1	FINGER PROTECTION CAP	-	2	0.23	PA66/6 FR	BLACK
1	-	-	-	-	PIN CONTACT DIA 8.0, 16mm ² , 6µm Ag	4	1	33.63	BRASS	SILVER
-	1	-	-	-	PIN CONTACT DIA 8.0, 16mm ²	3	1	40.23	COPPER	
-	-	1	-	-	PIN CONTACT DIA 8.0, 25mm ²	2	1	46.73		
-	-	-	1	-	PIN CONTACT DIA 8.0, 35mm ²	1	1	51.83		
-	-	-	-	1	PIN CONTACT DIA 8.0, 50mm ²	-	-	-	-	-

THIS DRAWING IS A CONTROLLED DOCUMENT. DIMENSIONING AND TOLERANCING PER GPS (ISO STANDARDS).

DIMENSIONS: mm

TOLERANCES UNLESS OTHERWISE SPECIFIED: DIN ISO 2768-mK

0 PLC ±
1 PLC ±
2 PLC ±
3 PLC ±
4 PLC ±
ANGLES ±
FINISH

DWN Aravind H.M. 21JUN2016
CHK Vishwa A 21JUN2016
APVD F. Wittrock 21JUN2016

PRODUCT SPEC
APPLICATION SPEC 114-94438
WEIGHT -

CUSTOMER DRAWING

SCALE 5:1 SHEET 1 OF 1 REV A2

NAME PIN, DIA8.0 CONTACT ASSY TYP1

SIZE A2 CAGE CODE - DRAWING NO. C-2292541 RESTRICTED TO -

STE TE Connectivity