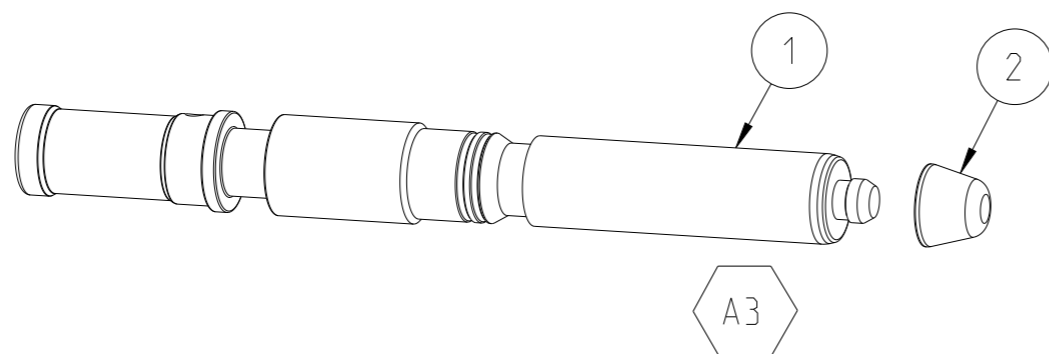
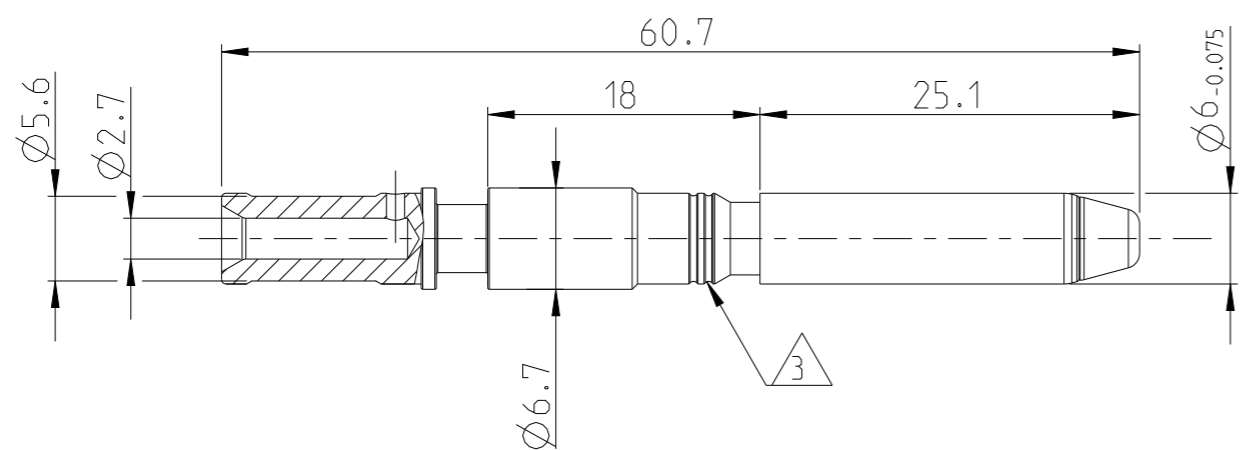


REVISIONS

P	LTR	DESCRIPTION	DATE	DWN	APVD
A1		NEW NOTE 5 AND NEW PN 2-2293269-3	23MAR2020	FRAN	SCH.
A2		NEW SHEET 2 AND NEW PN 2293269-6	07MAR2023	JCP	HMF
A3		ADD DIAMETER TO PN 2293269-6	15MAR2023	JCP	HMF
A4		CORRECTED PN 2293269-3	14SEP2023	GL	HMF

AS SHOWN
2293269-2

A-A



NOTES
Bemerkungen

- 1 IN CASE OF DISCREPANCIES BETWEEN GERMAN AND ENGLISH TEXT THE GERMAN TEXT IS BINDING
Im Falle von Unterschieden zwischen dem deutschen und dem englischen Text ist der deutsche Text verbindlich
- 2 HANDLING OF PARTS ONLY WITH GLOVES
Teile dürfen nur mit Handschuhen angefasst werden
- 3 CROSS SECTION MARKING:
NUMBER OF GROOVES ACC. NUMBER AFTER BASIS-PN
Kennzeichnung Leitungsquerschnitt:
Anzahl Einstiche gemäss Nachstrichzahl
- 4 BULK PACKAGING IN PLASTIC BAG IN FOLDING CARTON AND CORRUGATED SHIPPING BOX
Schüttgut in Beutel in Faltschachtel und Versandkarton
- 5 PLATING MARKING: 6µm Ag
Kennzeichnung Beschichtung: 6µm Ag

2293269-6	2-2293269-3	2293269-3	2293269-2	DESCRIPTION	GROOVES	ITEM NO	WEIGHT (g)	MATERIAL	SURFACE/COLOR
1	1	1	1	FINGER PROTECTION CAP	-	2	0.06	PA66/6 FR	BLACK
1	-	-	-	PIN CONTACT DIA 6.0, 6mm ² , 6µm Ag over Cu	-	1	12.23	COPPER	SILVER
-	1	-	-	PIN CONTACT DIA 6.0, 6mm ² , 6µm Ag	1+3		12.38	BRASS	
-	-	1	-	PIN CONTACT DIA 6.0, 6mm ²	0+3		12.75		
-	-	-	1	PIN CONTACT DIA 6.0, 4mm ²	0+2				
A	A	A	A	REVISION OF EACH ASSEMBLY					
QUANTITY PER ASSEMBLY				COMPONENT					

THIS DRAWING IS A CONTROLLED DOCUMENT.
DIMENSIONING AND TOLERANCING PER GPS (ISO STANDARDS).

DIMENSIONS: mm	TOLERANCES UNLESS OTHERWISE SPECIFIED: DIN ISO 2768-mK
	0 PLC ± 1 PLC ± 2 PLC ± 3 PLC ± 4 PLC ± ANGLES ±
MATERIAL	FINISH
-	-

DWN	30JUN2016
CHK	Vishwa A
APVD	30JUN2016
PRODUCT SPEC	F. Wittrock
APPLICATION SPEC	F. Wittrock
WEIGHT	114-94403
CUSTOMER DRAWING	

TE TE Connectivity

NAME: PIN, DIA 6.0, L/N, ASSY
Rundkontakt 6mm, L/N, ZSB

SIZE	CAGE CODE	DRAWING NO	RESTRICTED TO
A3	-	©-2293269	-

SCALE: 2:1 SHEET: 1 OF 2 REV: A4

THIS DRAWING IS UNPUBLISHED.

RELEASED FOR PUBLICATION

20

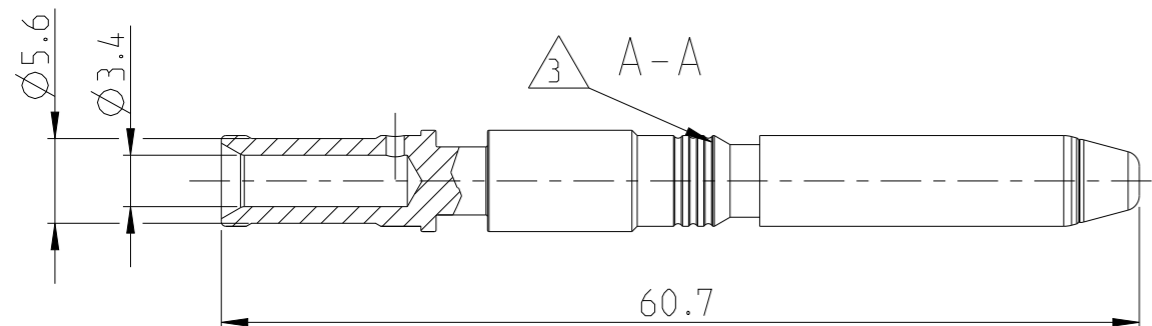
© COPYRIGHT 20 BY -

ALL RIGHTS RESERVED.

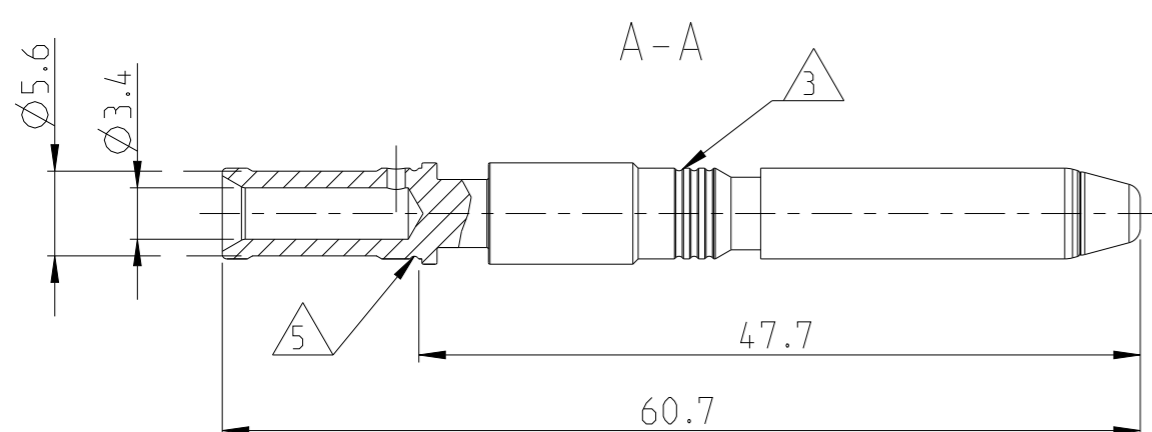
REVISIONS

P	LTR	DESCRIPTION	DATE	DWN	APVD
-	-	SEE SHEET 1	-	-	-

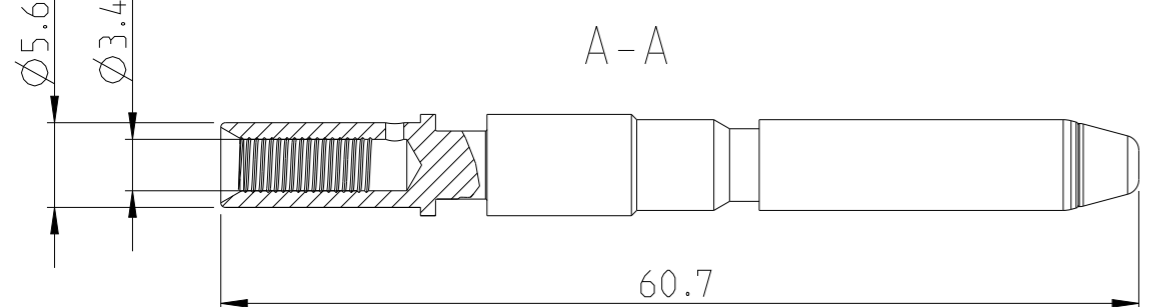
AS SHOWN
2293269-3



AS SHOWN
2-2293269-3



AS SHOWN
2293269-6

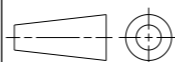


THIS DRAWING IS A CONTROLLED DOCUMENT.

DIMENSIONING AND TOLERANCING PER GPS (ISO STANDARDS)

DIMENSIONS:

mm



TOLERANCES UNLESS OTHERWISE SPECIFIED:

DIN ISO 2768-mK

0 PLC	±
1 PLC	±
2 PLC	±
3 PLC	±
4 PLC	±
ANGLES	±
FINISH	-

MATERIAL

-

-

DWN 30JUN2016

Vishwa A

CHK 30JUN2016

F. Wittrock

APVD 30JUN2016

F. Wittrock

PRODUCT SPEC

-

APPLICATION SPEC

114-94403

WEIGHT

-

CUSTOMER DRAWING



TE Connectivity

NAME
PIN, DIA 6.0, L/N, ASSY
Rundkontakt 6mm, L/N, ZSB

SIZE	CAGE CODE	DRAWING NO	RESTRICTED TO
A3	-	©=2293269	-

SCALE	SHEET	OF	REV
2:1	2	2	A4