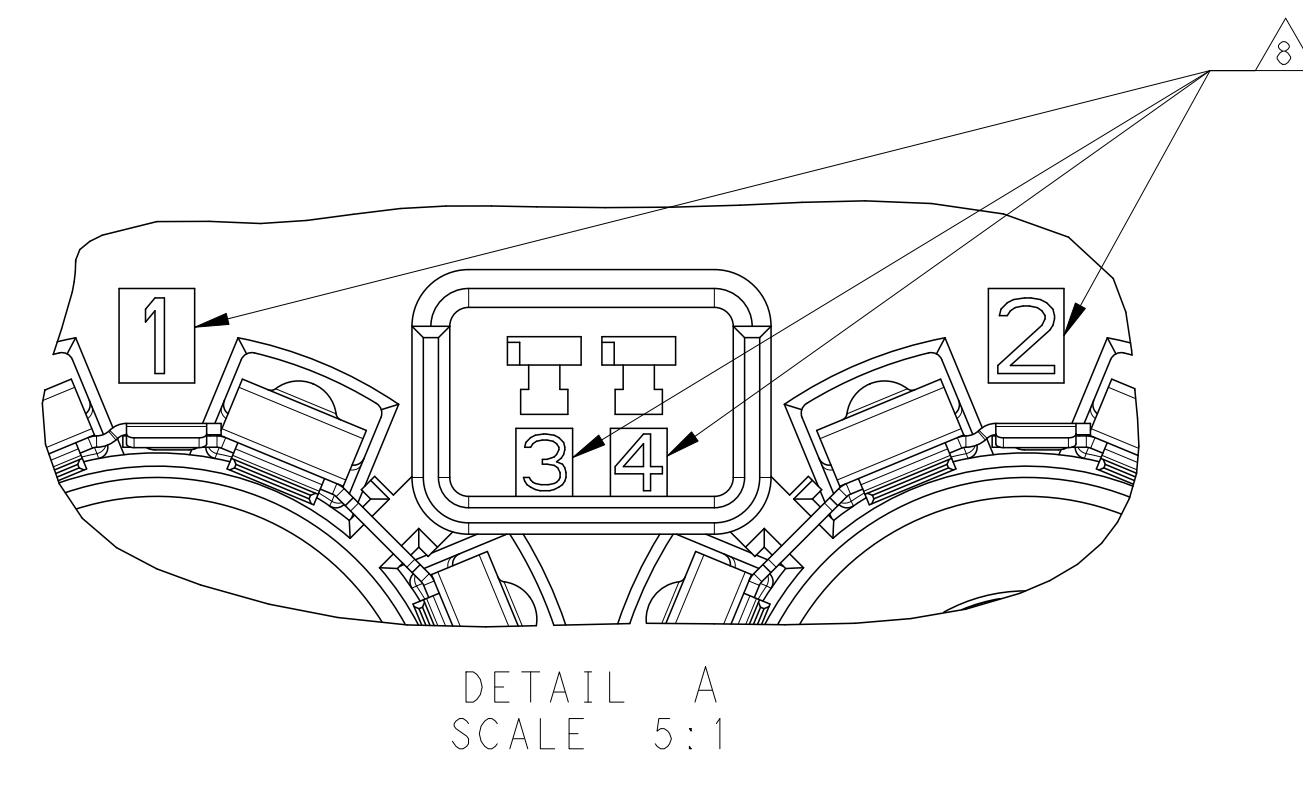
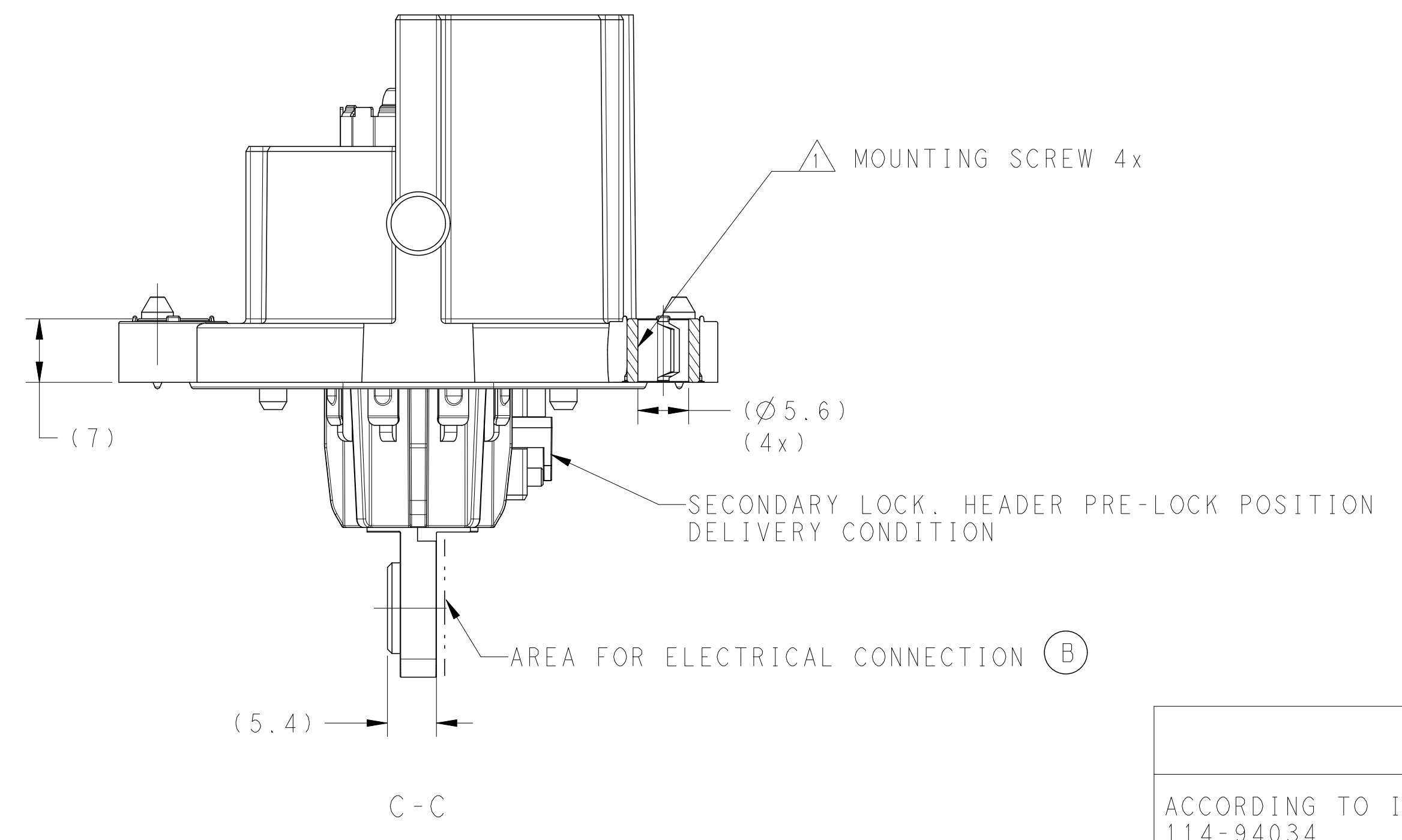
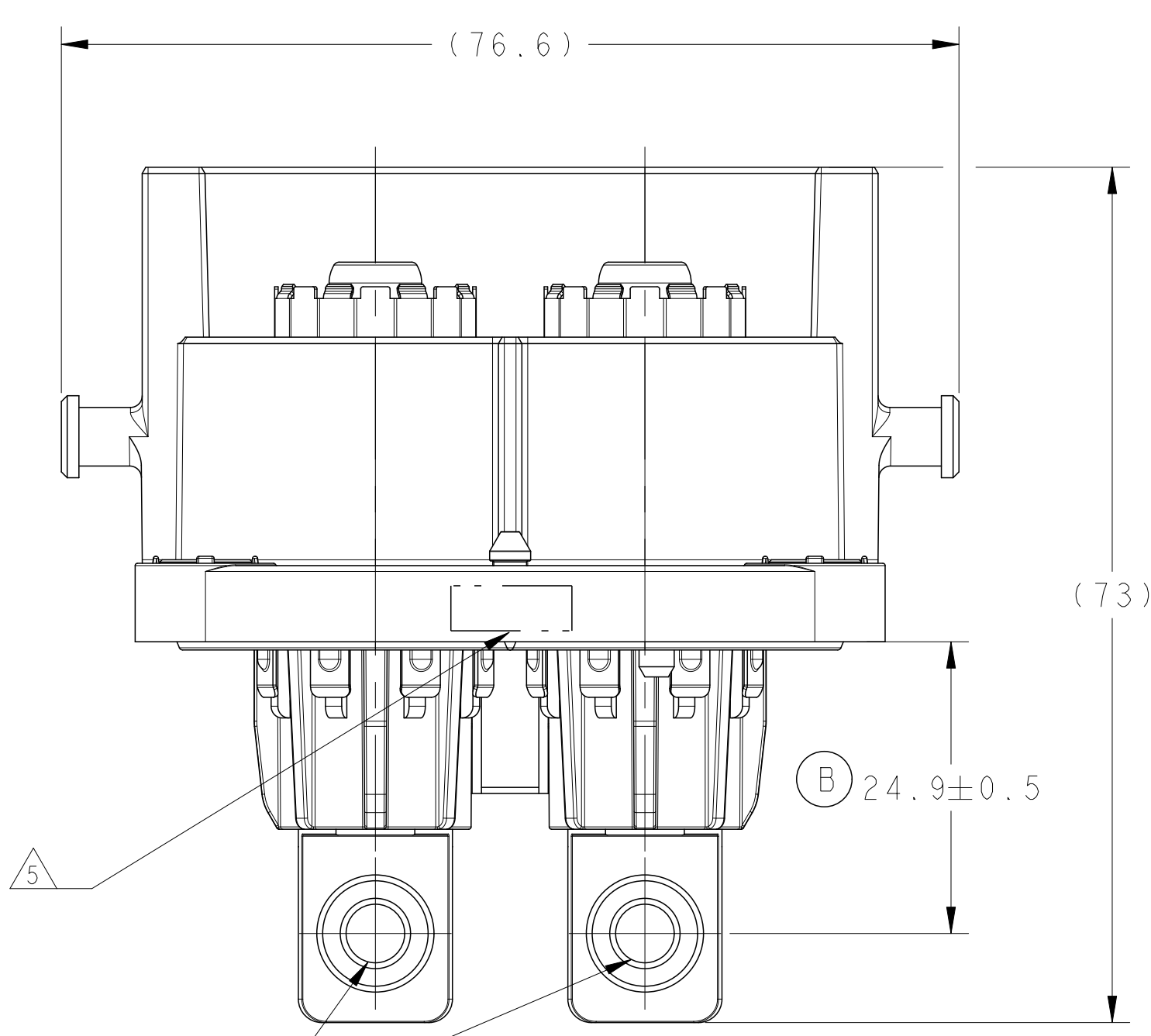
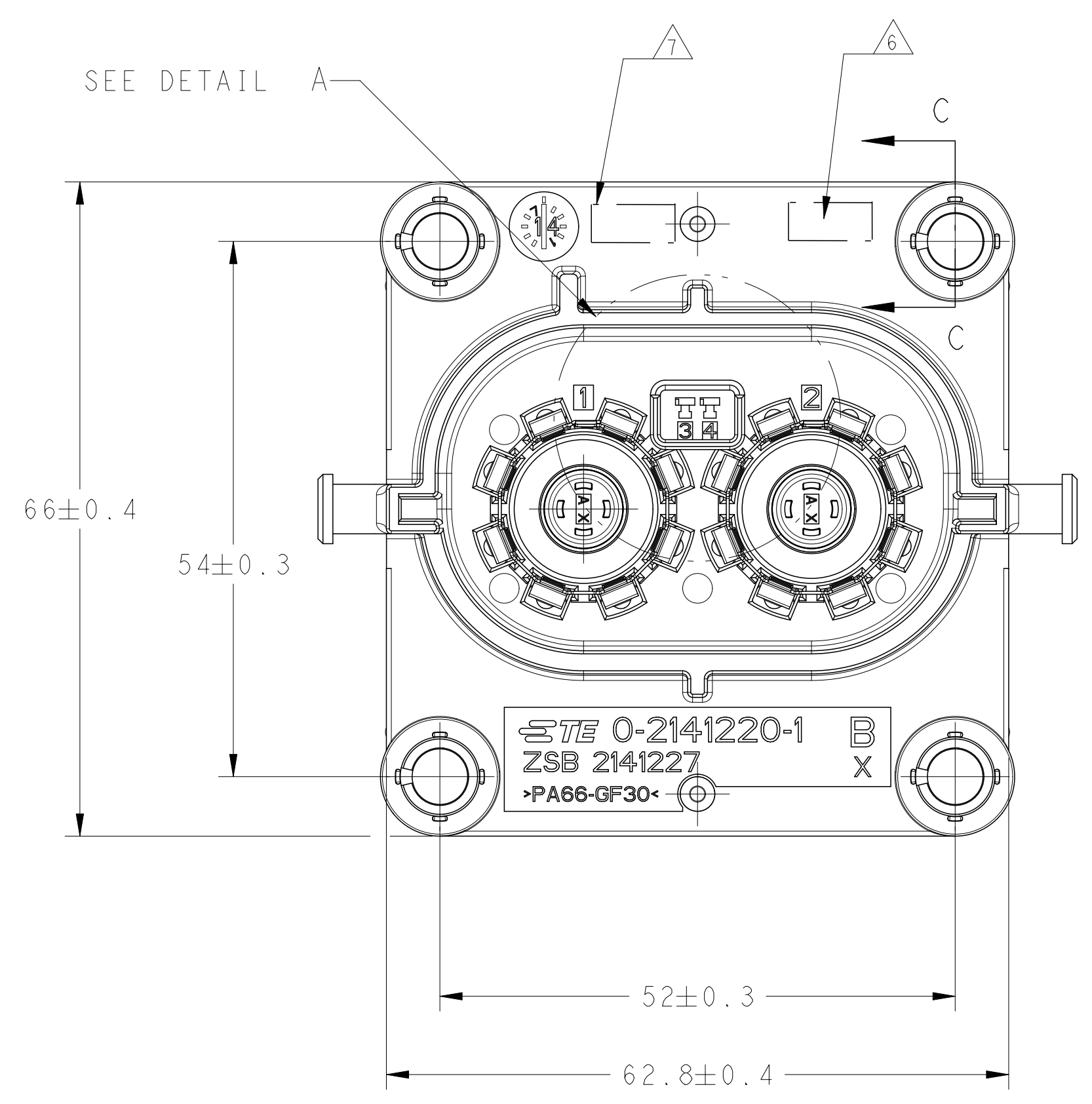
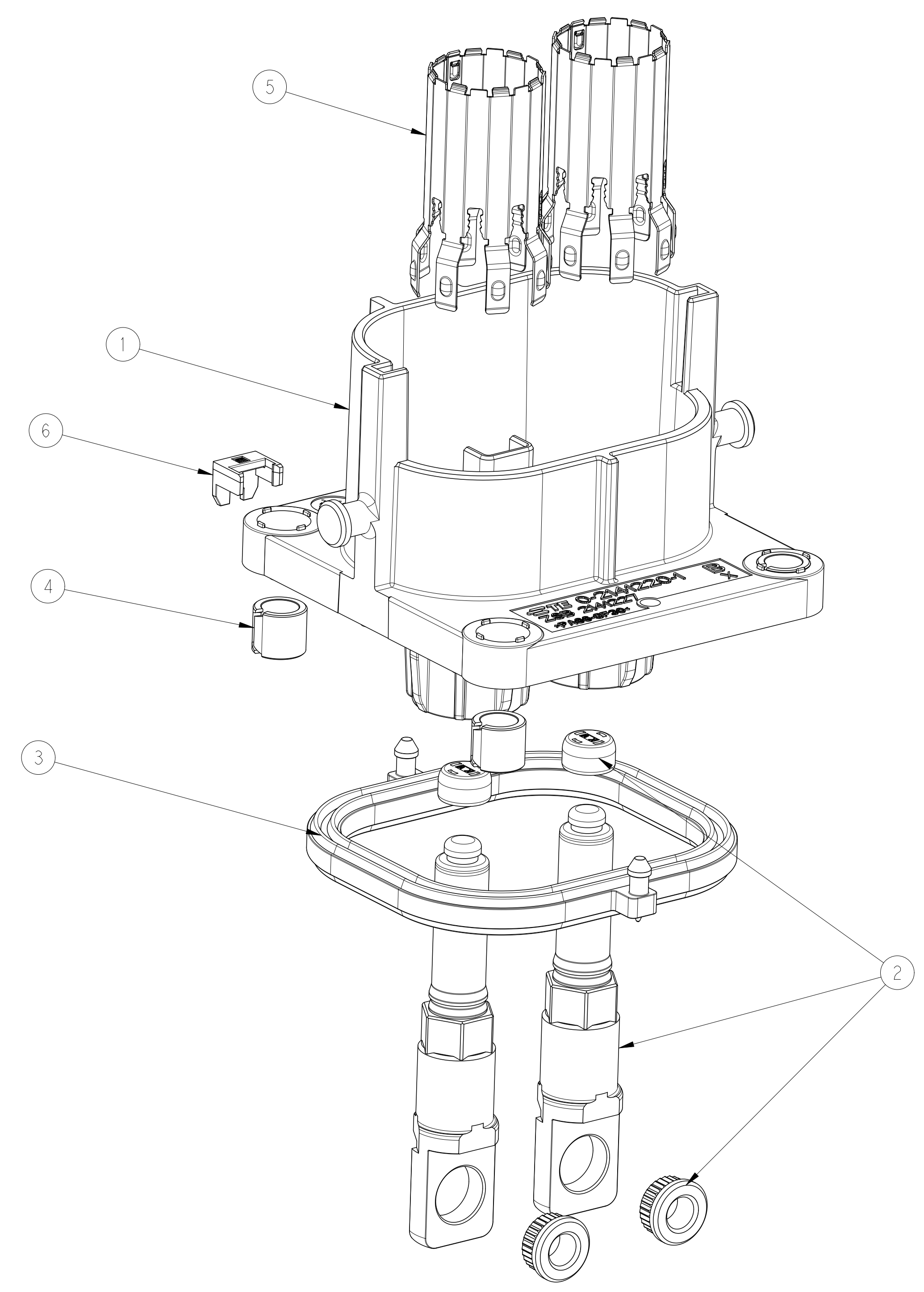


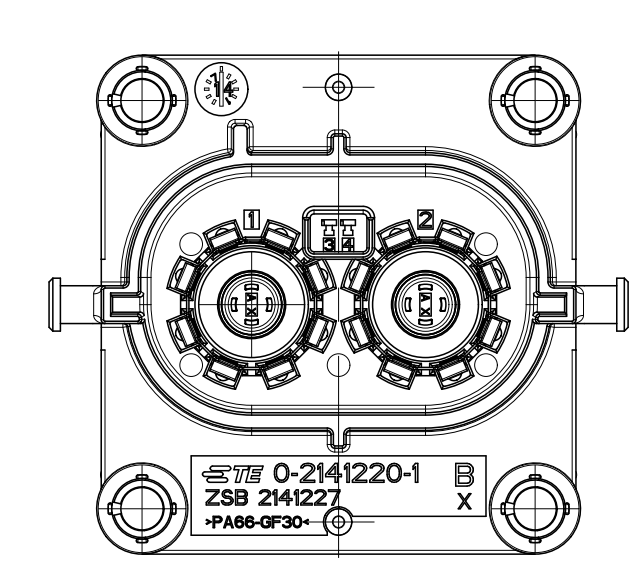
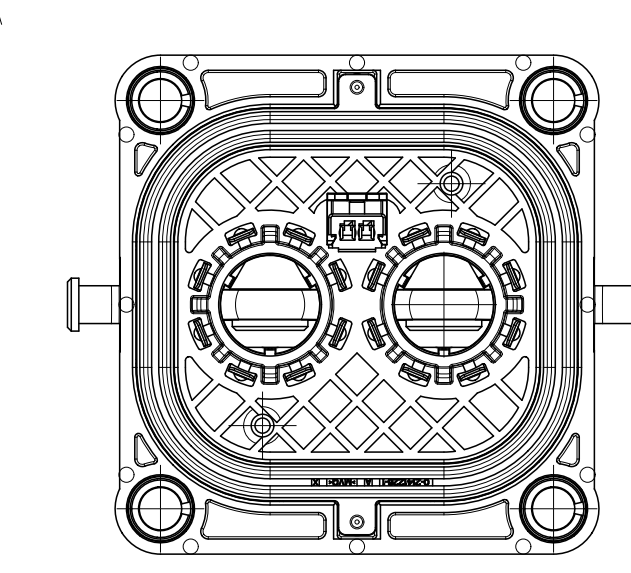
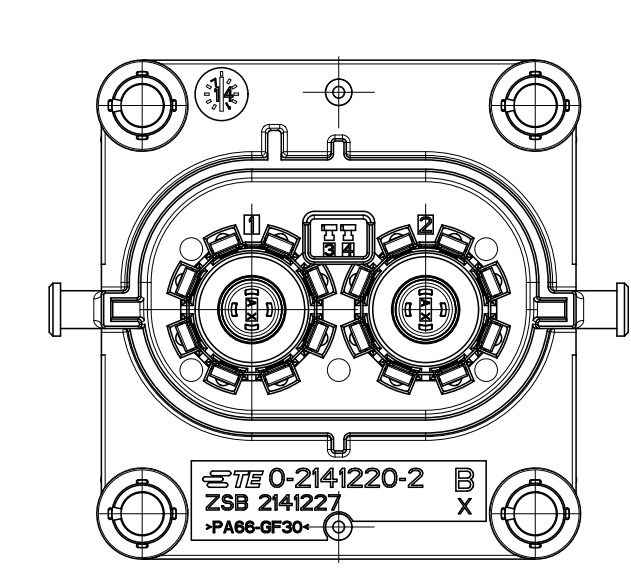
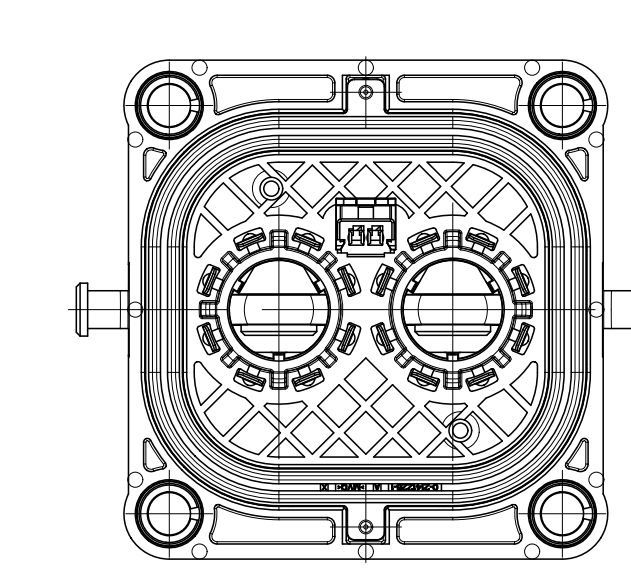
REVISIONS				
P	LV	DESCRIPTION	DATE	APPD
A	RELEASED		29APR14	RZ LY
B	REVISED ECO-16-010968		22SEP14	RZ LY



- NOTES:
- ⚠ MOUNTING SCREW Ø5MM WITH MINIMUM SCREWHEAD Ø10MM. MAXIMUM SCREWHEAD Ø12MM. RECOMMENDED TIGHTENING TORQUE OF THE SCREW 6±0.5NM. THREAD ENGAGEMENT ACCORDING TO TE-DRAWING NO: 114-94032
  - ⚠ RECOMMENDED TIGHTENING TORQUE OF THE SCREW M6: 8±1NM. A SCREW RETENTION WILL BE RECOMMENDED
  - 3. SUITABLE SECONDARY LOCK FOR HVIL-CONTACTS: TE-ORDER-NO 2177966
  - 4. ELECTRICAL TEST ACC. TO LV123 "ELECTRICAL CHARACTERISTICS AND ELECTRICAL SAFETY FOR HIGH VOLTAGE COMPONENTS"
  - ⚠ AREA FOR MARKING "OK PARTS"
  - ⚠ ASSEMBLY P/N MARKING
  - ⚠ PRODUCTION CODE (D/WW/YY/REV.)
  - ⚠ CAVITY IDENTIFICATION

NOTE	FEATURE	TE P/N 90 DEG	TE P/N 180 DEG
9	MATING CONNECTOR: 2POS. 8MM HV. REC HSG, ASSY, SEALED	2141160 2282334	114-94130 2177052
10	INTERFACE DRAWING 2P/3P HV. CAT.2	114-94034	
11	INTERFACE DRAWING ADAPTER PLATE 2P/3P HV 90DEG/180DEG CATEGORY 2	114-94032	
⚠	PRODUCT SPEC.	108-94268	108-94297
⚠	APPLICATION SPEC.	114-94153	
14	SUITABLE HVIL-CONTACTS	1418760-3	

-1 AS SHOWN

CODING (1:1)	
ACCORDING TO INTERFACE DRAWING: 114-94034 A 	ACCORDING TO INTERFACE DRAWING: 114-94032 A 
B 	B 

TE P/N	CODING	DESCRIPTION	DESCRIPTION	MATERIAL	SURFACE COLOR	QTY	ITEM
2293575-2	B	HVP800 2P HEADER ASSY BUSBAR VERSION	SECONDARY LOCK, HVIL, HEADER	PA6-(GF10+GB20)	DUSTY GRAY	1	6
			SHIELD SLEEVE	Cu - ALLOY	SILVER PLATED	2	5
			COMPRESSION DELIMITER, HV HEADER	DC01	ZnNi-PLATING	4	4
			AXIAL SEAL	MVQ	NATURE	1	3
			PIN DIA 8.0 CONTACT	Cu - ALLOY	SILVER PLATED	2	
			PROTECTION COVER	PA6-(GF10+GB20)	NATURE (B)	2	2
			NUT	Cu - ALLOY	BLANK	2	
2293575-1	A	HVP800 2P HEADER ASSY BUSBAR VERSION	SECONDARY LOCK, HVIL, HEADER	PA6-(GF10+GB20)	DUSTY GRAY	1	6
			SHIELD SLEEVE	Cu - ALLOY	SILVER PLATED	2	5
			COMPRESSION DELIMITER, HV HEADER	DC01	ZnNi-PLATING	4	4
			AXIAL SEAL	MVQ	NATURE	1	3
			PIN DIA 8.0 CONTACT	Cu - ALLOY	SILVER PLATED	2	
			PROTECTION COVER	PA6-(GF10+GB20)	BLACK	2	2
			NUT	Cu - ALLOY	BLANK	2	
2293575-1		HVP800 2P HEADER, COD. A	PA66-GF30	ORANGE		1	1

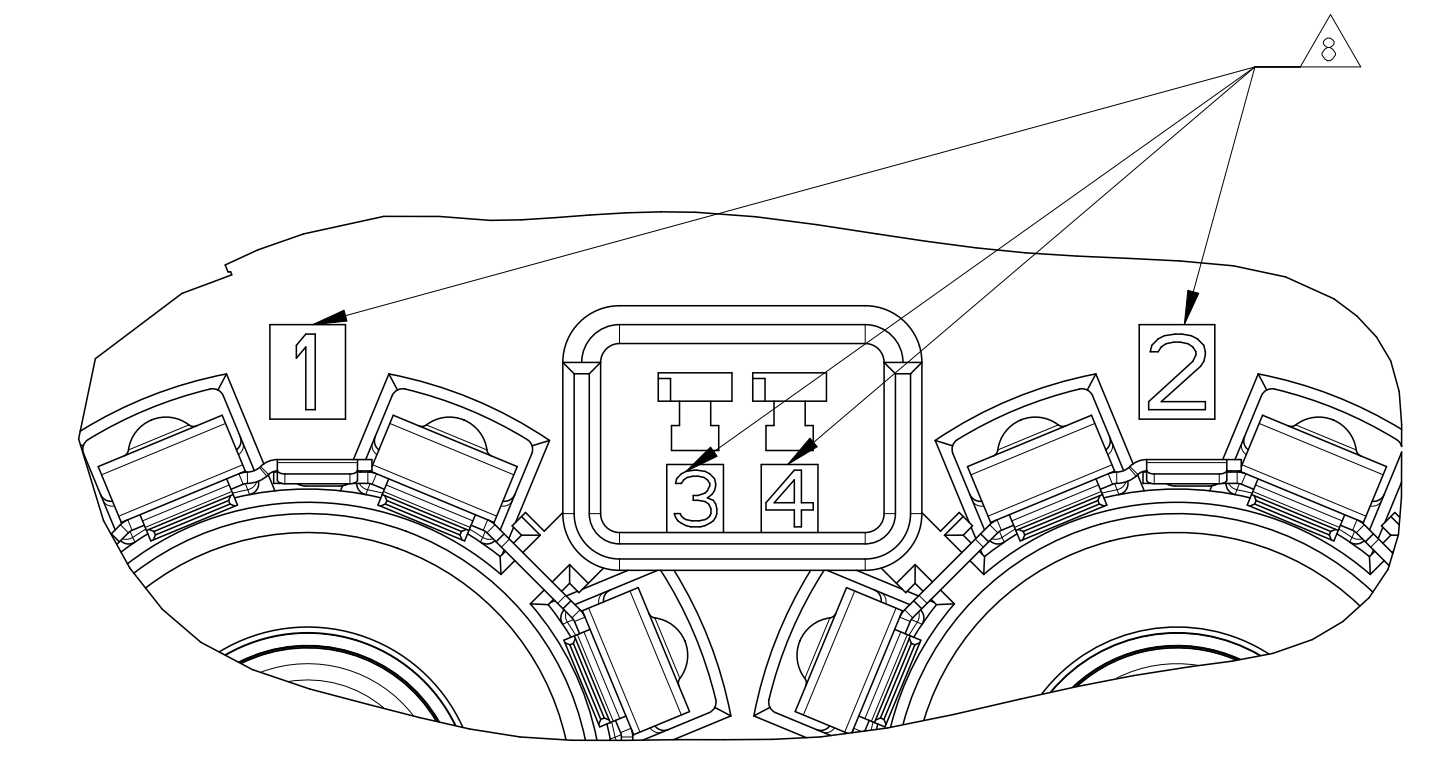
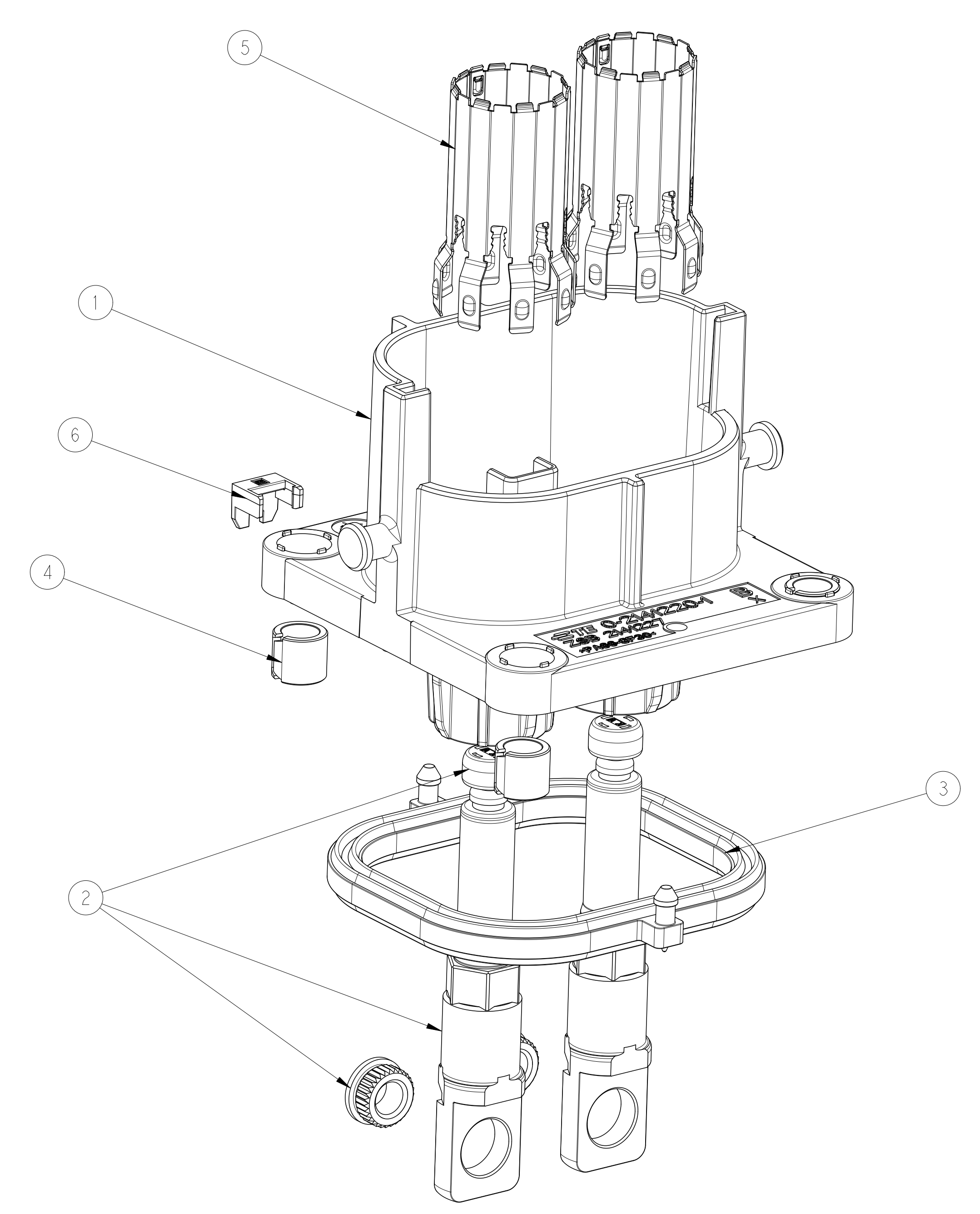
THIS DRAWING IS A CONTROLLED DOCUMENT. DATE: 27APR2016. DRAWN BY: T. ZHANG. CHECKED BY: X. L. LI. APPROVED BY: Y. JIN. SCALE: 2:1. SHEET 1 OF 2. REV B.

STC TE Connectivity

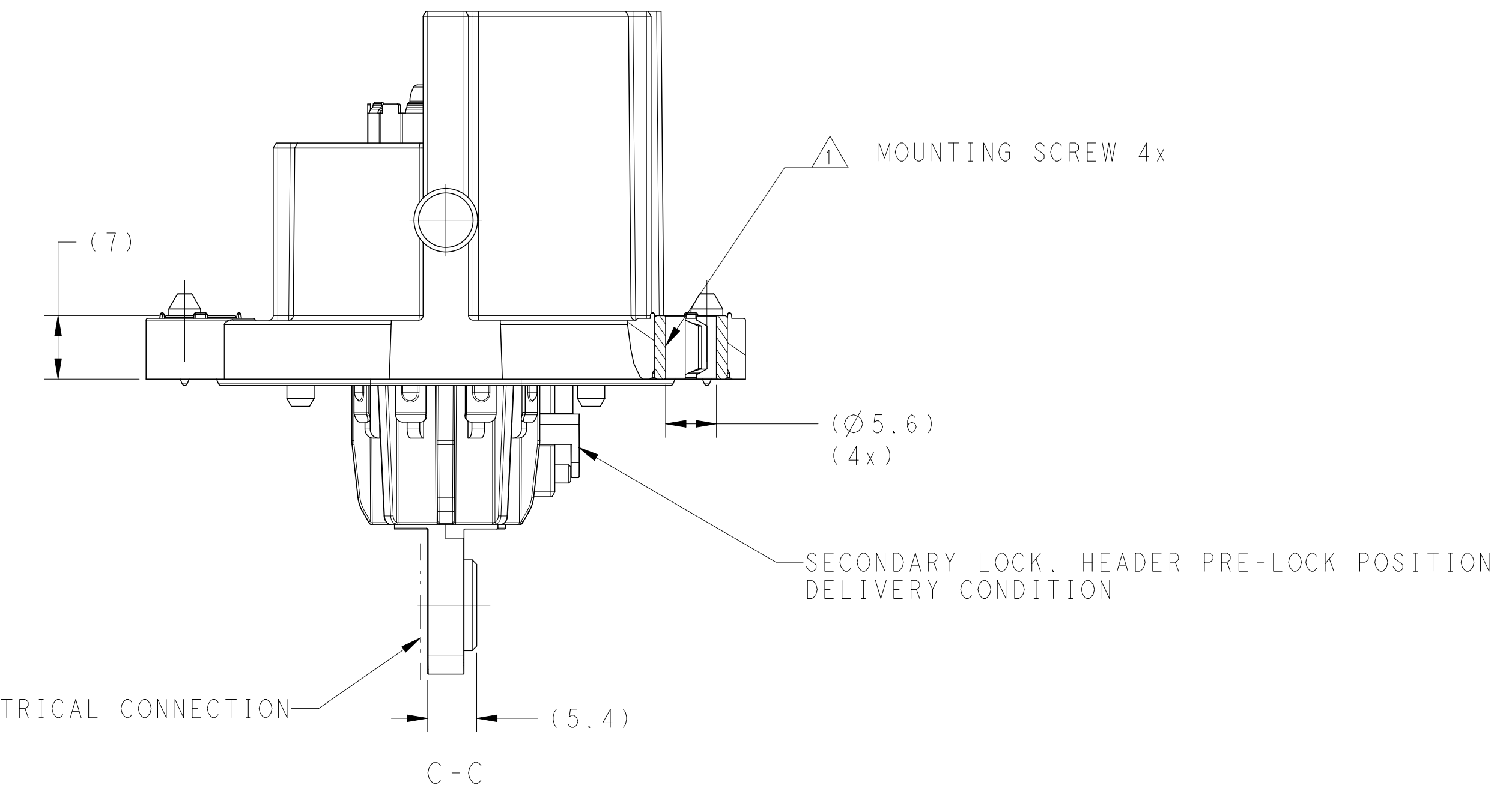
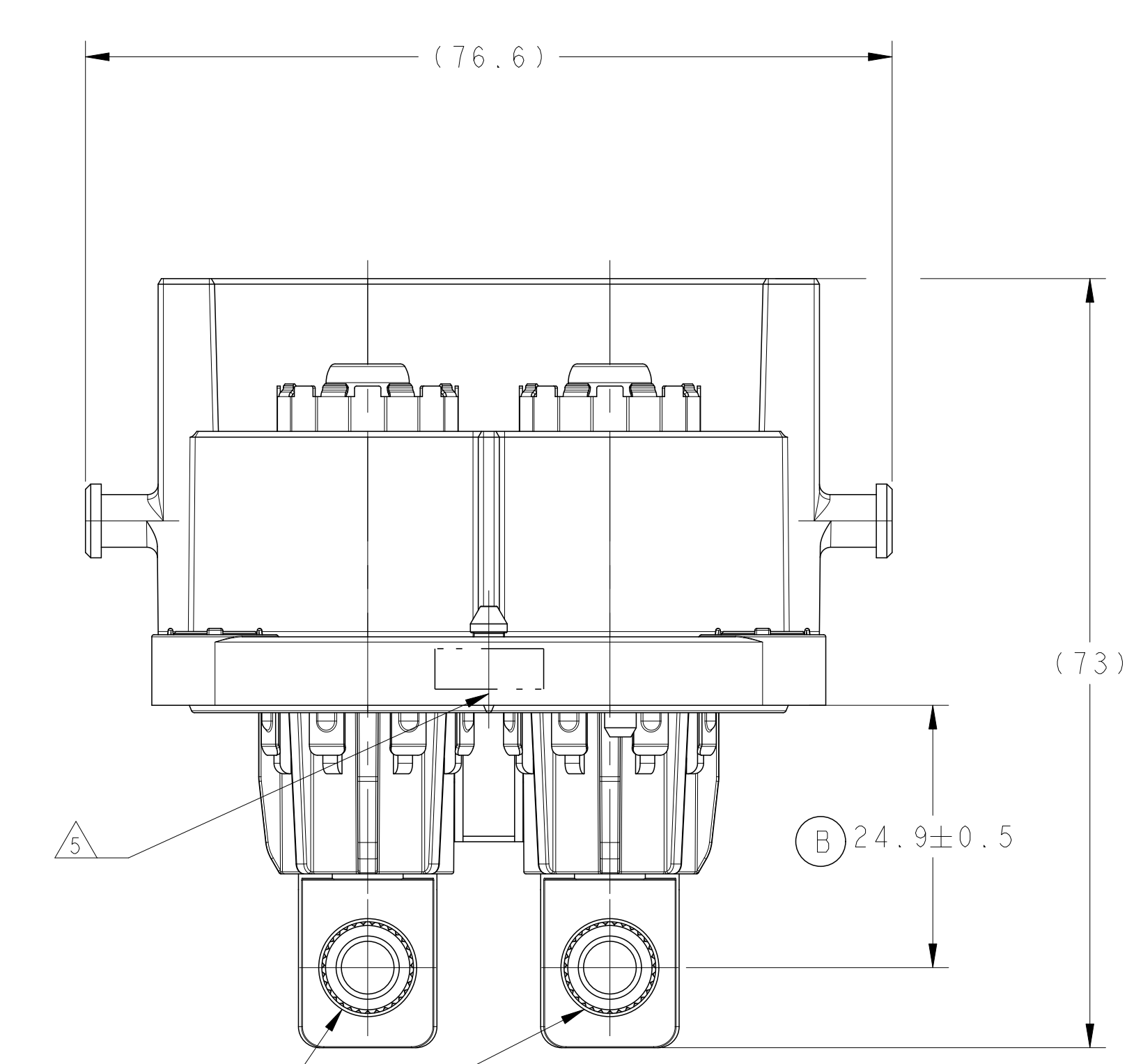
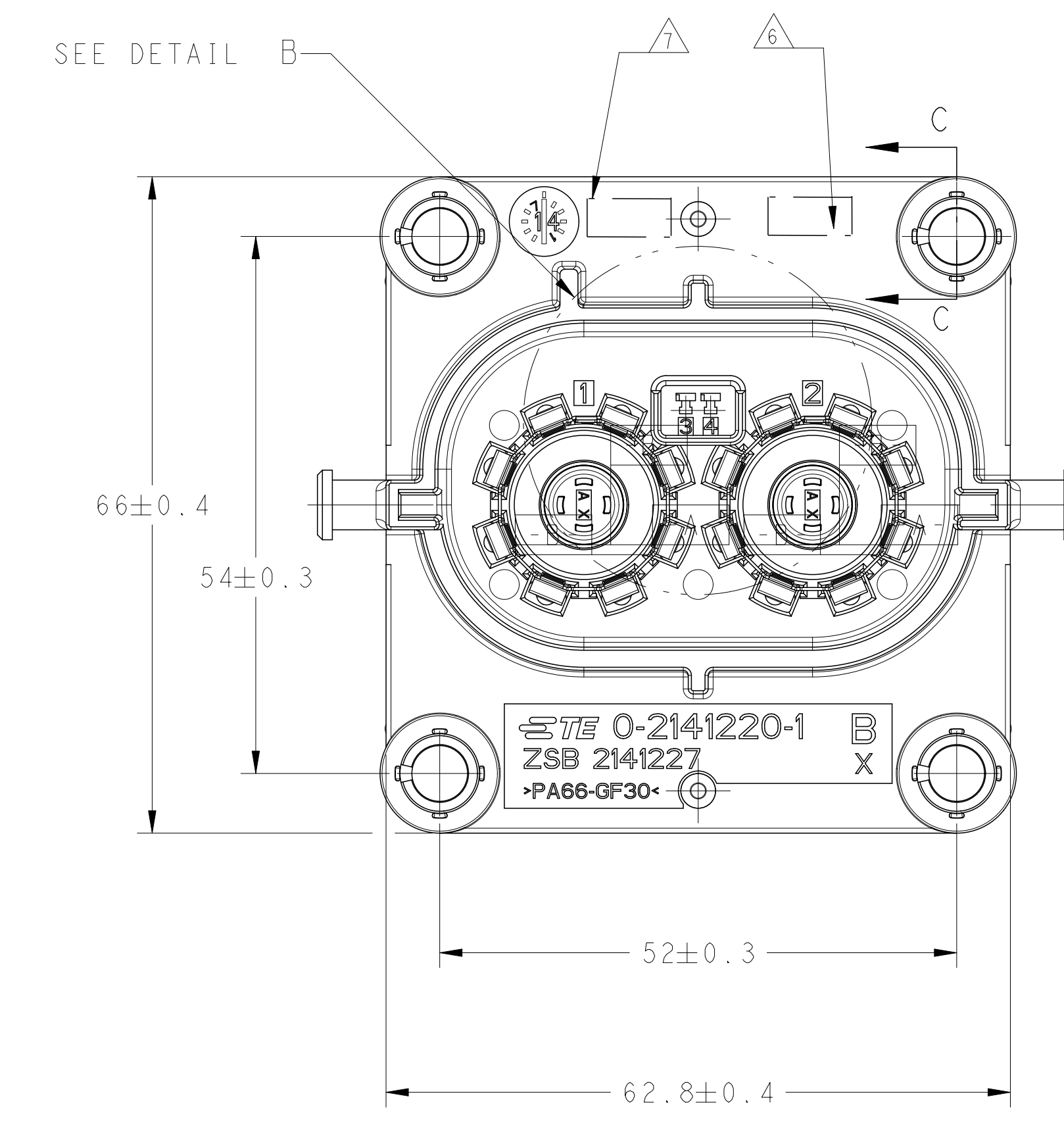
HVP800 2P HEADER ASSY BUSBAR VERSION

SCALE: 2:1

REVISIONS			
P	LV	DESCRIPTION	DATE
-	-	SEE SHEET 1	-



DETAIL B  
SCALE: 5:1



△ PIN-THREAD: M6 (2x)

1- -1 AS SHOWN

TE P/N	CODING	DESCRIPTION	DESCRIPTION	MATERIAL	SURFACE COLOR	QTY	ITEM
1-2293575-2	B	HVP800 2P HEADER ASSY BUSBAR VERSION	SECONDARY LOCK, HVIL, HEADER	PA6-(GF10+GB20)	DUSTY GRAY	1	6
			SHIELD SLEEVE	Cu - ALLOY	SILVER PLATED	2	5
			COMPRESSION DELIMITER, HV HEADER	DC01	ZnNi-PLATING	4	4
			AXIAL SEAL	MVQ	NATURE	1	3
			PIN DIA 8.0 CONTACT	Cu - ALLOY	SILVER PLATED	2	2
			PROTECTION COVER	PA6-(GF10+GB20)	NATURE (B)	2	2
			NUT	Cu - ALLOY	BLANK	2	2
1-2293575-1	A	HVP800 2P HEADER ASSY BUSBAR VERSION	SECONDARY LOCK, HVIL, HEADER	PA6-(GF10+GB20)	DUSTY GRAY	1	6
			SHIELD SLEEVE	Cu - ALLOY	SILVER PLATED	2	5
			COMPRESSION DELIMITER, HV HEADER	DC01	ZnNi-PLATING	4	4
			AXIAL SEAL	MVQ	NATURE	1	3
			PIN DIA 8.0 CONTACT	Cu - ALLOY	SILVER PLATED	2	2
			PROTECTION COVER	PA6-(GF10+GB20)	BLACK	2	2
			NUT	Cu - ALLOY	BLANK	2	2
			HVP800 2P HEADER, COD. A	PA66-GF30	ORANGE	1	1
				PA66-GF30	ORANGE	1	1

CODING (1:1)	
<p>ACCORDING TO INTERFACE DRAWING: 114-94034</p> <p>A</p>	<p>ACCORDING TO INTERFACE DRAWING: 114-94032</p> <p>A</p>
<p>B</p>	<p>B</p>

THIS DRAWING IS A CONTROLLED DOCUMENT. DATE: 27 APR 2016. DRAWN BY: T. ZHANG. CHECKED BY: X. L. LI. APPROVED BY: Y. JIN. PRODUCT SPEC: HVP800 2P HEADER ASSY BUSBAR VERSION. APPLICATION SPEC: HVP800 2P HEADER ASSY BUSBAR VERSION. MATERIAL: PA66-GF30. SCALE: 2:1. SHEET 2 OF 2. REV B.