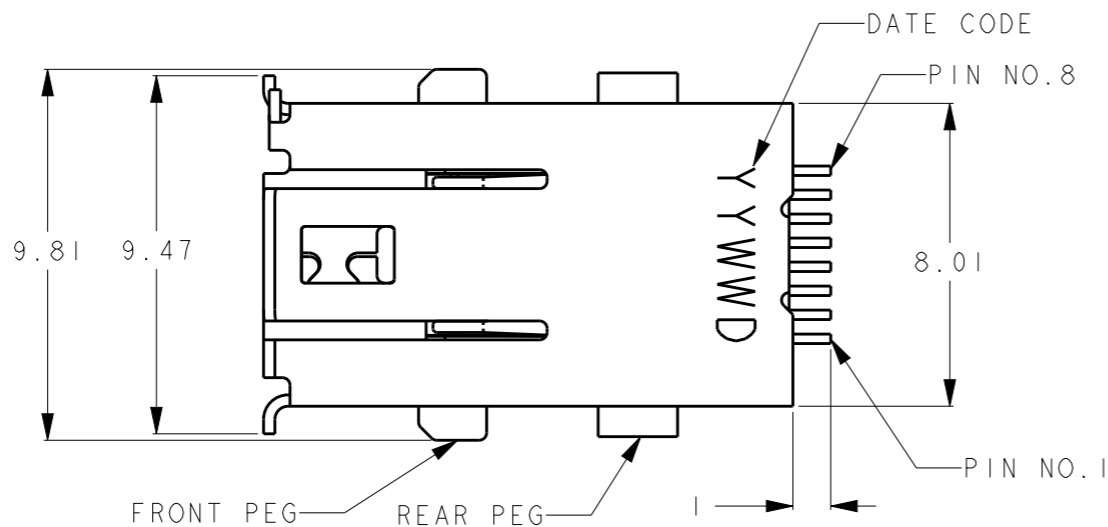


THIS DRAWING IS UNPUBLISHED. RELEASED FOR PUBLICATION 2016
 © COPYRIGHT 2016 BY Tyco Electronics Japan G.K. ALL RIGHTS RESERVED.

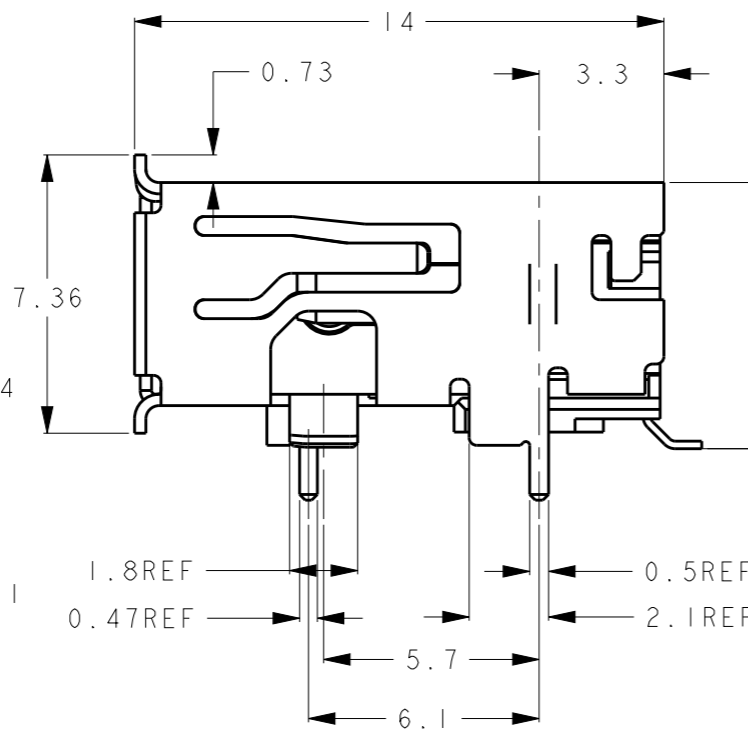
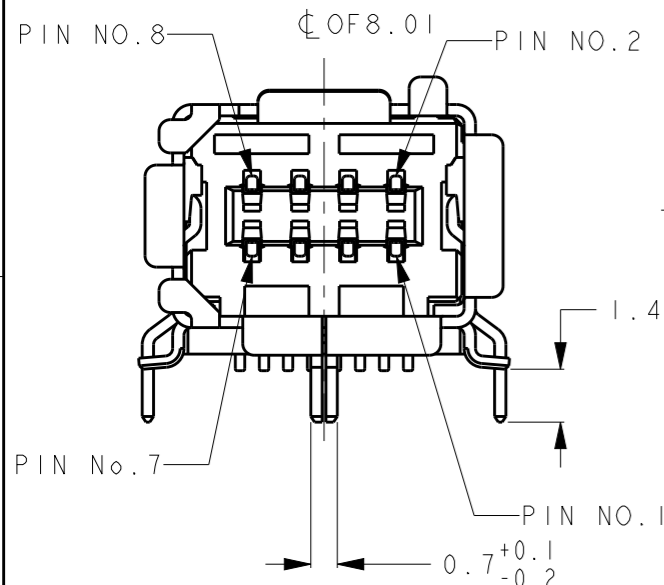
- 1 : AS SHOWN

REVISIONS

P	LTR	DESCRIPTION	DATE	DWN	APVD
A		RELEASED	28JUN2016	T.S	N.Y
B		REVISED	11JUL2016	T.S	N.Y
B1		RELEASED PER ECR-18-009389	18JUN2018	PP	YO
B2		ADDED NEW PART VARIANT 3--1 AND 3--2	19OCT2020	SS	JDB



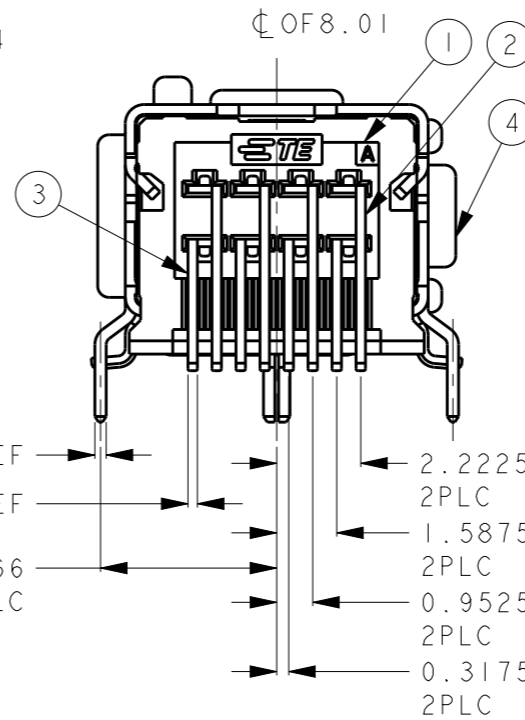
P/N	D-SHAPE	HOUSING COLOR
3-2294417-2	TYPE II	BLACK
3-2294417-1	TYPE I	BLACK
2294417-4	TYPE II	NATURAL
2294417-2	TYPE II	BLACK
2294417-1	TYPE I	BLACK



1 COPLANARITY: 0.08MAX (FRONT PEG, CONTACT)

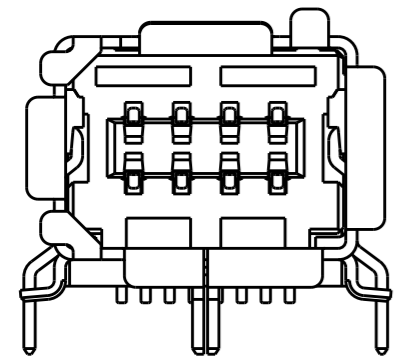
2 DIMENSION DECIDED BY CUSTOMER

3. PRODUCT QUANTITY : 300/REEL

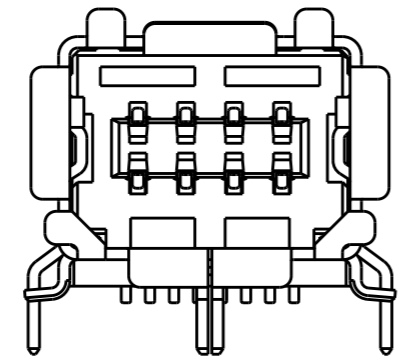


PRELIMINARY
PRELIMINARY

DESCRIPTION	ITEM
HDR SHELL TYPE II MATERIAL: SUS UNDER ALL SURFACE Ni 0.00127MIN ALL SURFACE Sn 0.002MIN	4
HDR SHELL TYPE I MATERIAL: SUS UNDER ALL SURFACE Ni 0.00127MIN ALL SURFACE Sn 0.002MIN	4
HDR LOWER CONTACT MATERIAL: COPPER ALLOY UNDER ALL SURFACE Ni 0.00127MIN CONTACT AREA Au 0.76µm MIN SOLDERING AREA Sn 0.002MIN	3
HDR LOWER CONTACT MATERIAL: COPPER ALLOY UNDER ALL SURFACE Ni 0.00127MIN CONTACT AREA Au 0.5µm MIN SOLDERING AREA Sn 0.002MIN	2
HDR UPPER CONTACT MATERIAL: COPPER ALLOY UNDER ALL SURFACE Ni 0.00127MIN CONTACT AREA Au 0.76µm MIN SOLDERING AREA Sn 0.002MIN	2
HDR UPPER CONTACT MATERIAL: COPPER ALLOY UNDER ALL SURFACE Ni 0.00127MIN CONTACT AREA Au 0.5µm MIN SOLDERING AREA Sn 0.002MIN	1
HDR HOUSING MATERIAL: THERMO PLASTIC(UL94 V-0) COLOR: NATURAL	1
HDR HOUSING MATERIAL: THERMO PLASTIC(UL94 V-0) COLOR: BLACK	1
DESCRIPTION	ITEM



TYPE I



TYPE II

THIS DRAWING IS A CONTROLLED DOCUMENT.

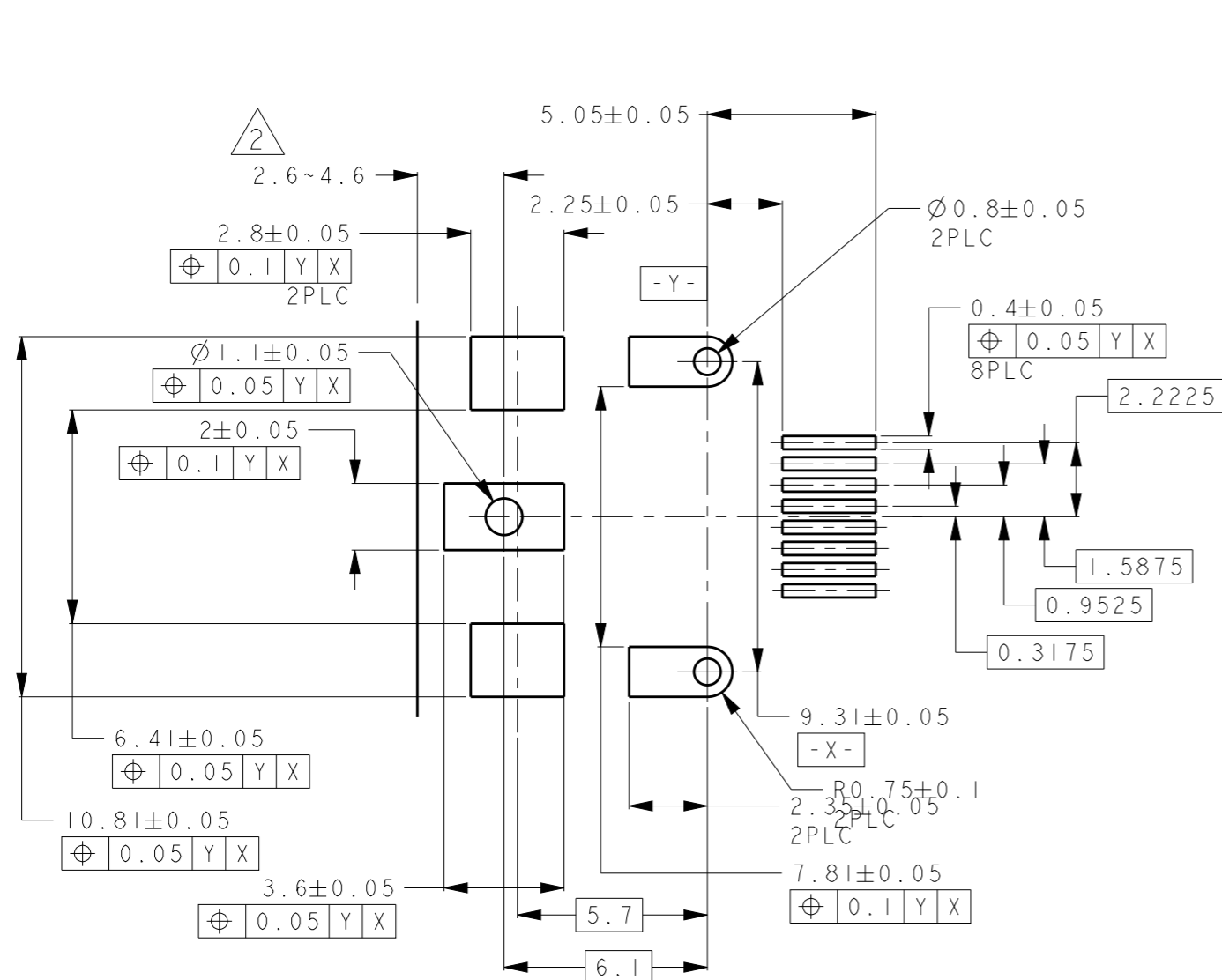
DIMENSIONS: 単位: 毫 mm	TOLERANCES UNLESS OTHERWISE SPECIFIED: 一般公差 ±0.3
0 PLC ±	1 PLC ±
2 PLC ±	3 PLC ±
4 PLC ±	ANGLES ±5°
MATERIAL 材料	FINISH 仕上

DWN T. SHIMOYASU 28JUN2016	CHK E. TAKEMASA 28JUN2016	APVD N. YAMASAKI 28JUN2016
PRODUCT SPEC 108-78405		
APPLICATION SPEC 114-32132		
WEIGHT 1.08g		
CUSTOMER DRAWING		

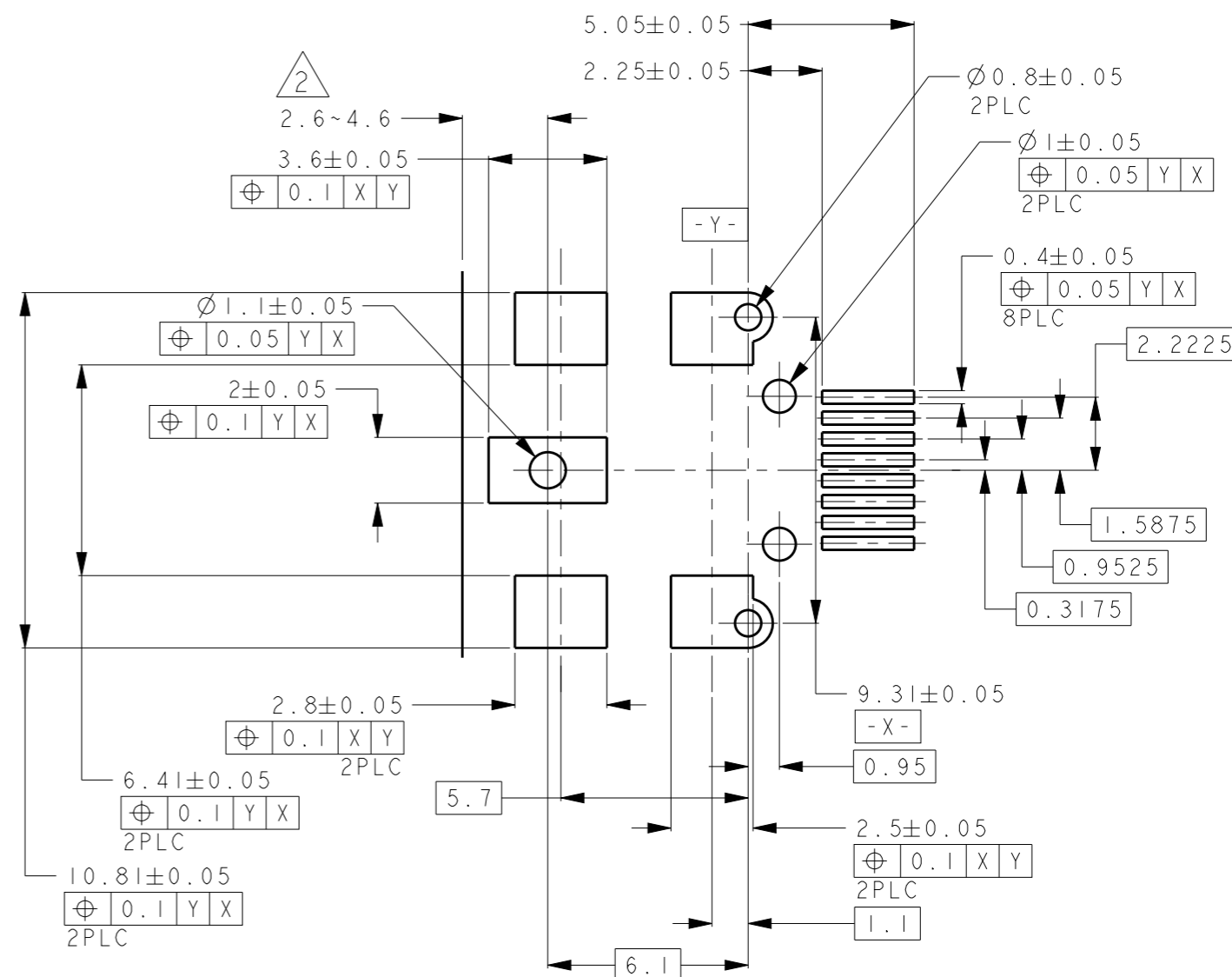
TE Connectivity		NAME 名称 INDUSTRIAL MINI I/O CONN. 1.27MM PITCH 8P HDR ASSY SMT EMBOSS	
		SIZE A3	CAGE CODE -
SCALE 尺度 5:1		SHEET 1 OF 3	REV B2

REVISIONS


P	LTR	DESCRIPTION	DATE	DWN	APVD
		SEE SHEET 1			



REFERENCE PCB DIMENSIONS (STANDARD) t=1.6±0.1



REFERENCE PCB DIMENSIONS (SAME AS 1981080-1/1981386-1) t=1.6±0.1

THIS DRAWING IS A CONTROLLED DOCUMENT.		DWN	 TE Connectivity	
DIMENSIONS: 単位: mm		CHK		
TOLERANCES UNLESS OTHERWISE SPECIFIED: 一般公差 ±0.3		APVD	NAME 名称 INDUSTRIAL MINI I/O CONN. 1.27MM PITCH 8P HDR ASSY SMT EMBOSS	
0 PLC ±		PRODUCT SPEC 製品規格	SIZE A3	CAGE CODE -
1 PLC ±		APPLICATION SPEC 取付適用規格	DRAWING NO 番号 C-2294417	RESTRICTED TO -
2 PLC ±		WEIGHT	SCALE 尺度 4:1	
3 PLC ±		CUSTOMER DRAWING	SHEET 2 OF 3	REV B2
4 PLC ±				
ANGLES ±5°				
FINISH 仕上				
MATERIAL 材料				

THIS DRAWING IS UNPUBLISHED.

RELEASED FOR PUBLICATION

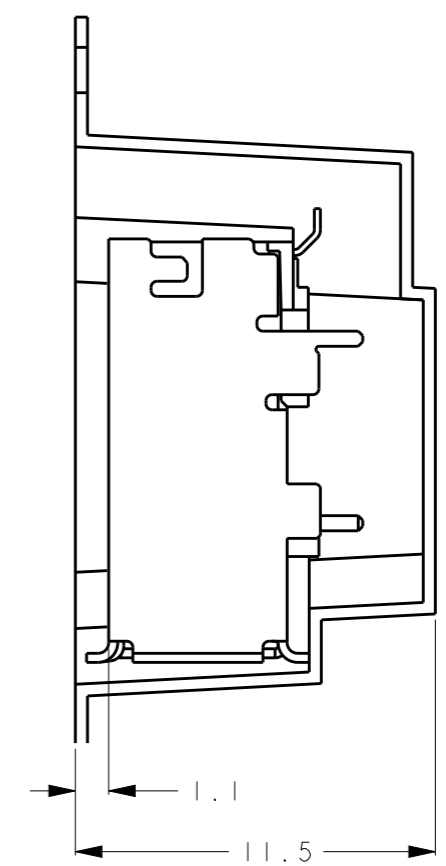
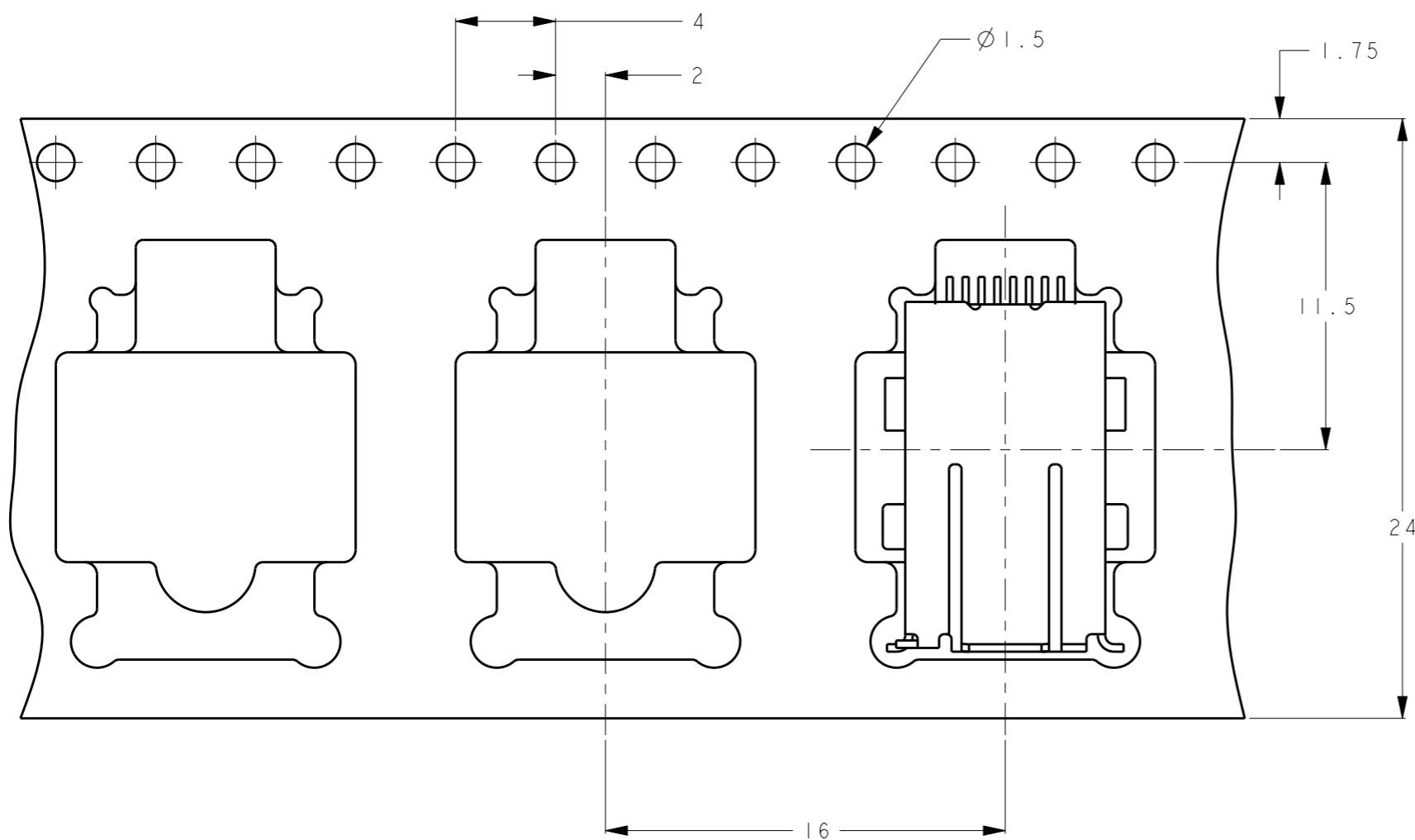
2016

© COPYRIGHT 2016 BY Tyco Electronics Japan G.K. ALL RIGHTS RESERVED.

REVISIONS

変更

P	LTR	DESCRIPTION	DATE	DWN	APVD
		SEE SHEET 1			



EMBOSS TAPE

THIS DRAWING IS A CONTROLLED DOCUMENT.

DIMENSIONS: 単位: 耗 mm		TOLERANCES UNLESS OTHERWISE SPECIFIED:	
		一般公差	± 0.5
		0-PLC	\pm
		1-PLC	\pm
		2-PLC	\pm
		3-PLC	\pm
MATERIAL 材料		FINISH 仕上	
		ANGLES $\pm 5^\circ$	

DWN
CHK
APVD
PRODUCT SPEC 製品規格
APPLICATION SPEC 取付適用規格
WEIGHT
CUSTOMER DRAWING

STE TE Connectivity

NAME
名称 INDUSTRIAL MINI I/O CONN.
1.27MM PITCH 8P HDR ASSY SMT EMBOSS

SIZE A3	CAGE CODE -	DRAWING NO 番号 C-2294417	RESTRICTED TO -
SCALE 尺度 4:1		SHEET 3 OF 3	REV B2