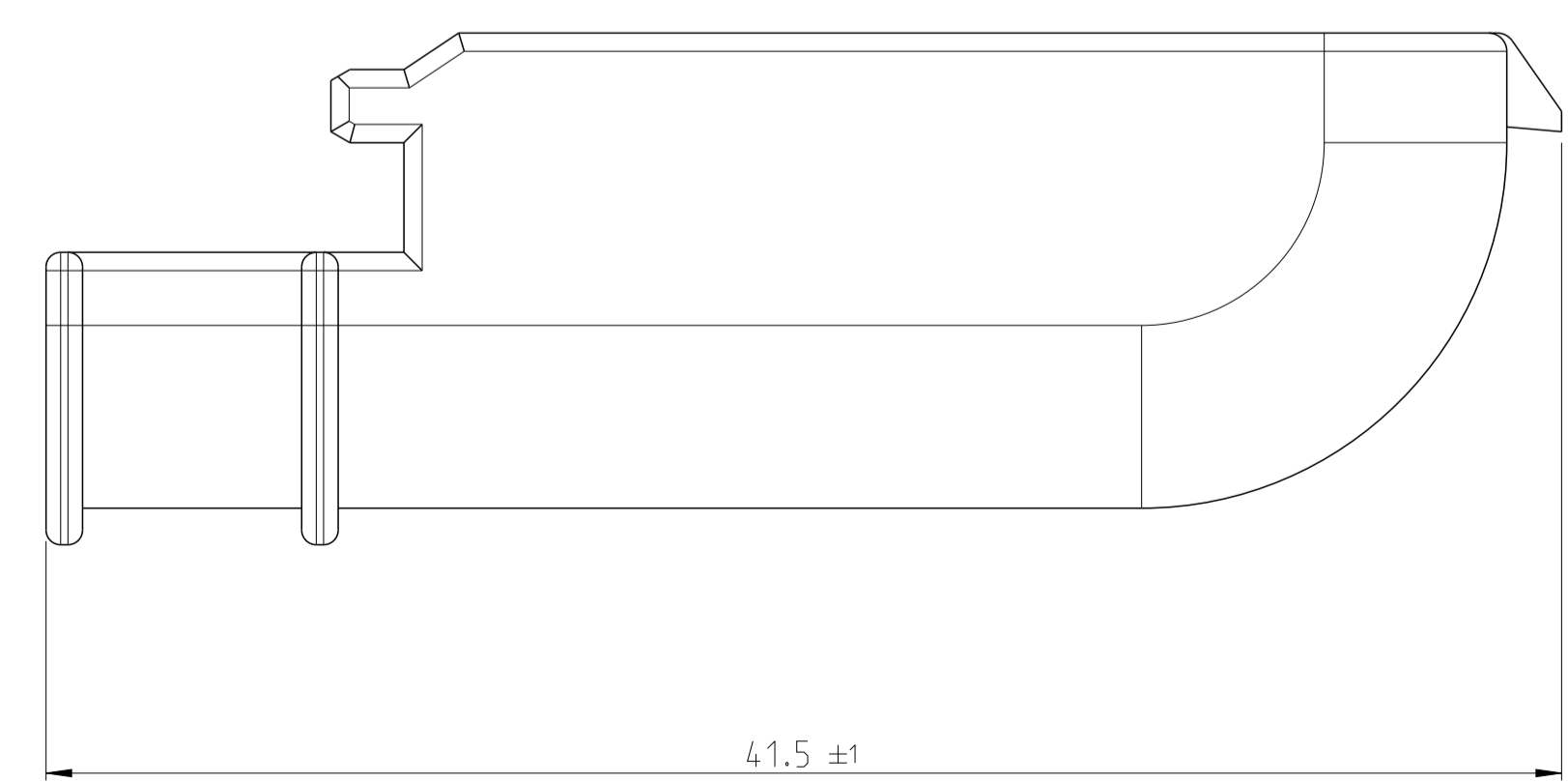
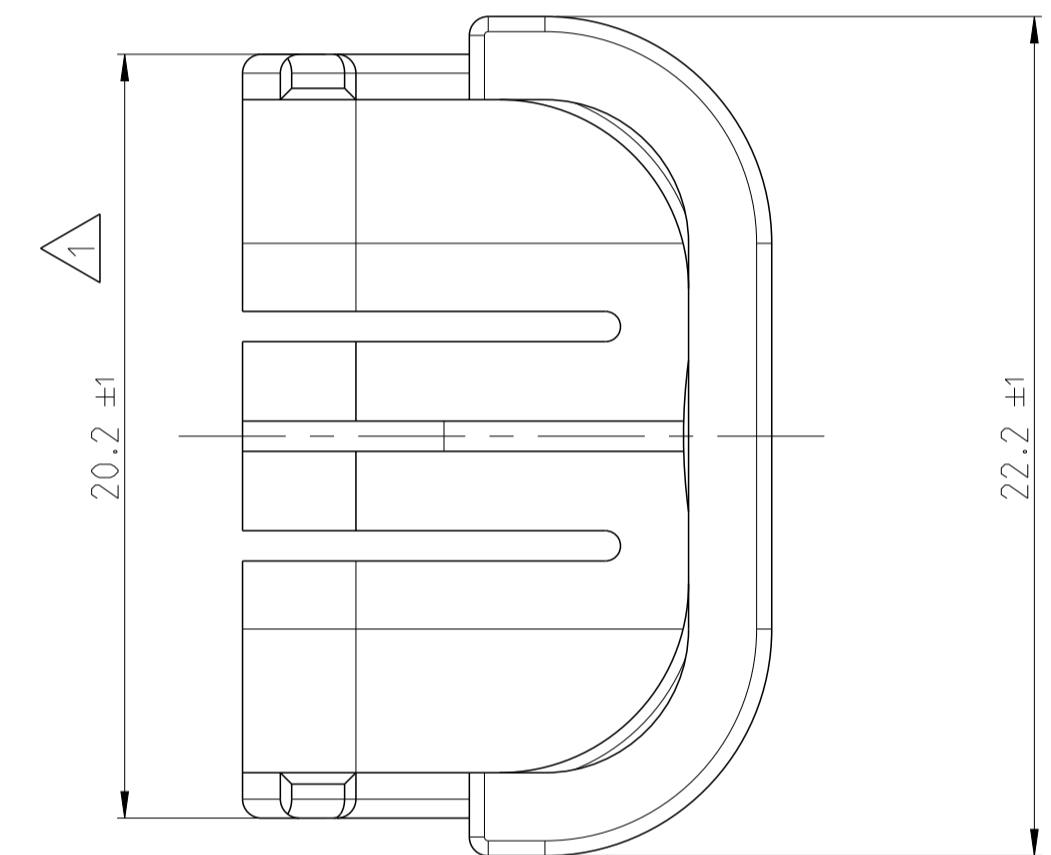
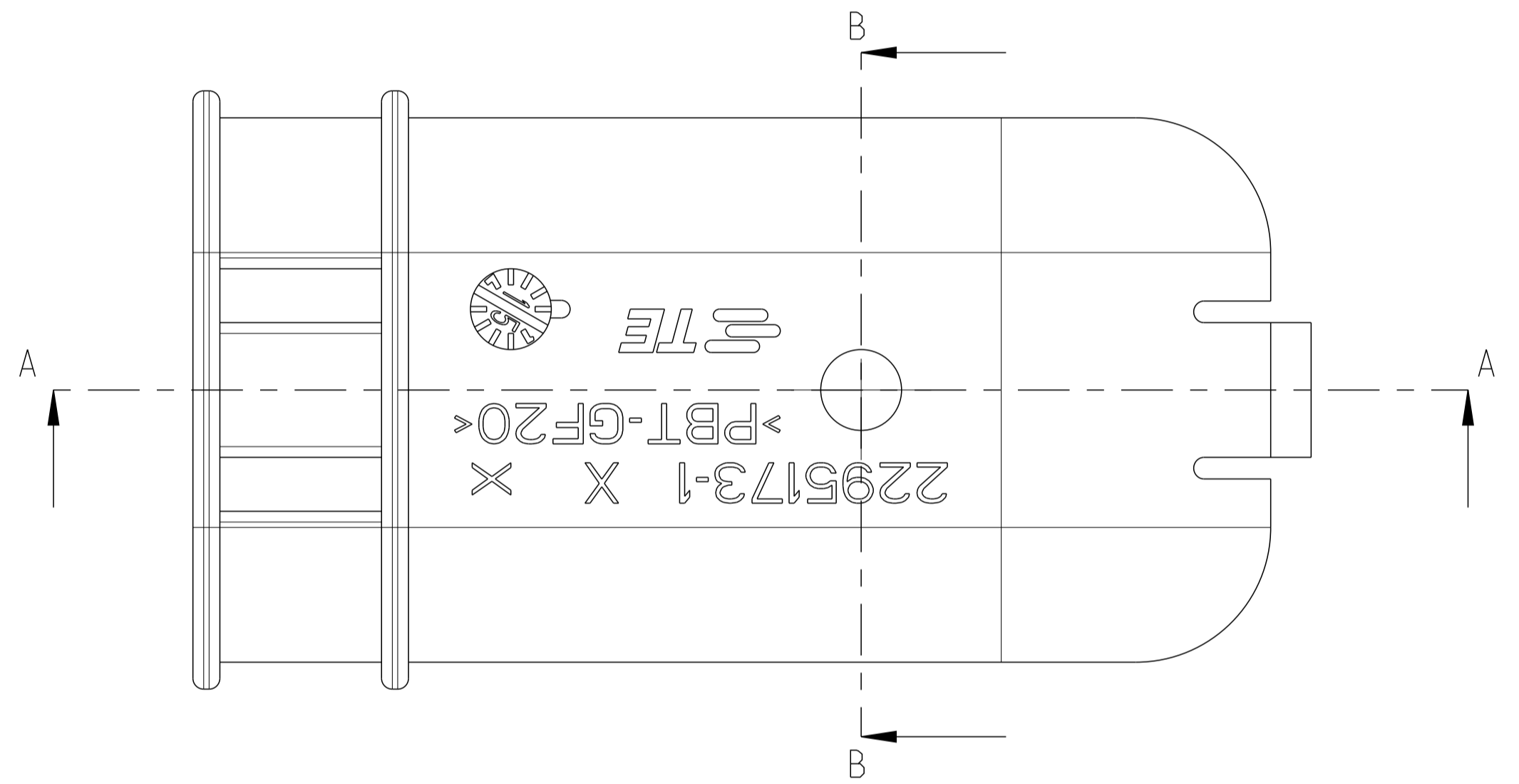
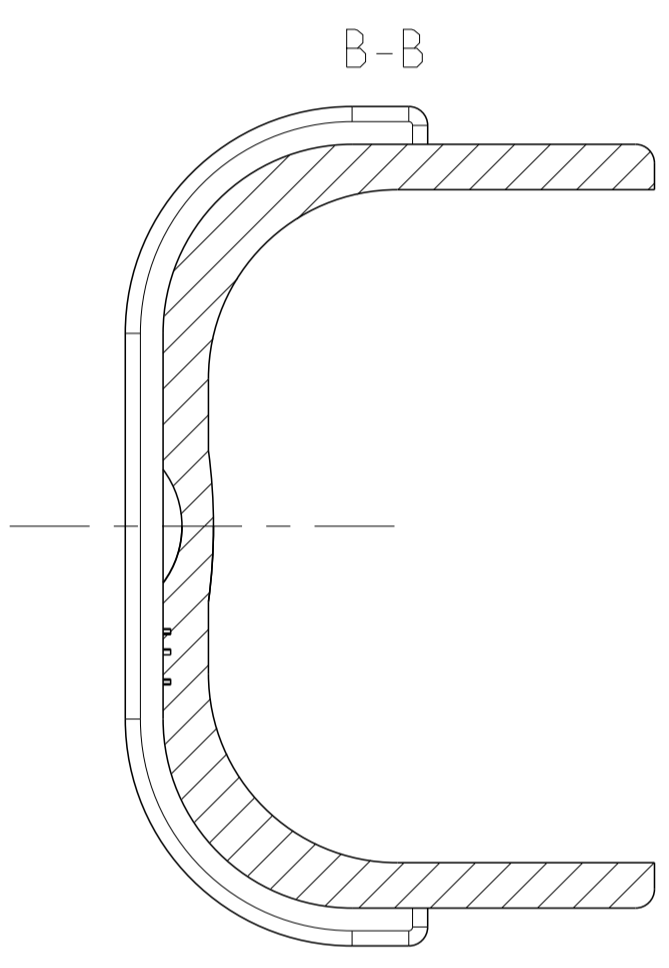
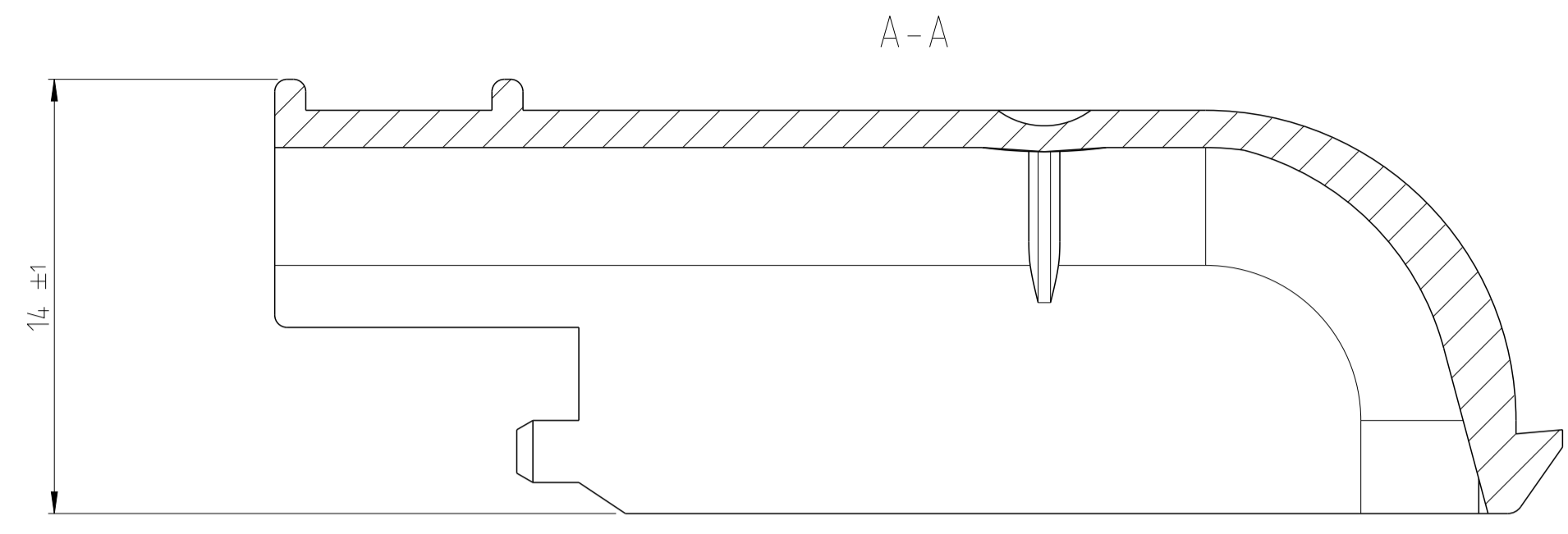
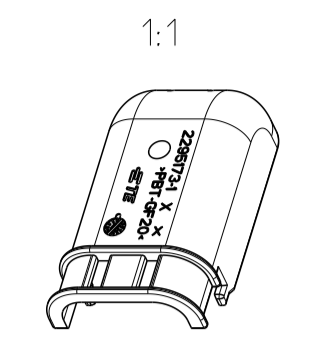
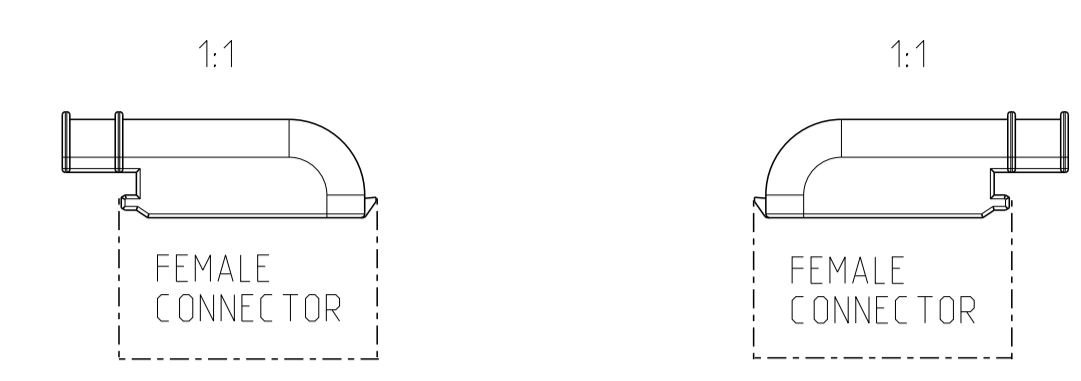


REVISIONS				
P	LTN	DESCRIPTION	DATE	DWN APVD
A		INITIAL DRAWING	02SEP2015	MT HR

WIRE COVER IS USEABLE FOR TWO WIRE EXIT DIRECTIONS,



NOTES

1 WARPAGE MAX. -1 mm ALLOWED

0-2295173-1	A	-	COVER	BLACK	1
TE-ORDER-NO.	REV.	WEIGHT (g)	DESCRIPTION	COLOUR	ITEM NO.

THIS DRAWING IS A CONTROLLED DOCUMENT.		DWN M. TRAJKOV 23JUL2015	TE Connectivity		
DIMENSIONS:		CHK H. HOTEFA 23JUL2015	NAME COVER 22 WAY CONNECTOR		
mm	TOLERANCES UNLESS OTHERWISE SPECIFIED:	APVD	PRODUCT SPEC		
0 PLC	±		APPLICATION SPEC		
1 PLC	±		SIZE		
2 PLC	±		CAGE CODE		
3 PLC	±		DRAWING NO		
4 PLC	±		RESTRICTED TO		
ANGLES	±		A 1 00779 ©=2295173		
MATERIAL	FINISH	WEIGHT	Customer Drawing		
-	-	-	SCALE	SHEET	REV
-	-	-	5:1	1 OF 1	A