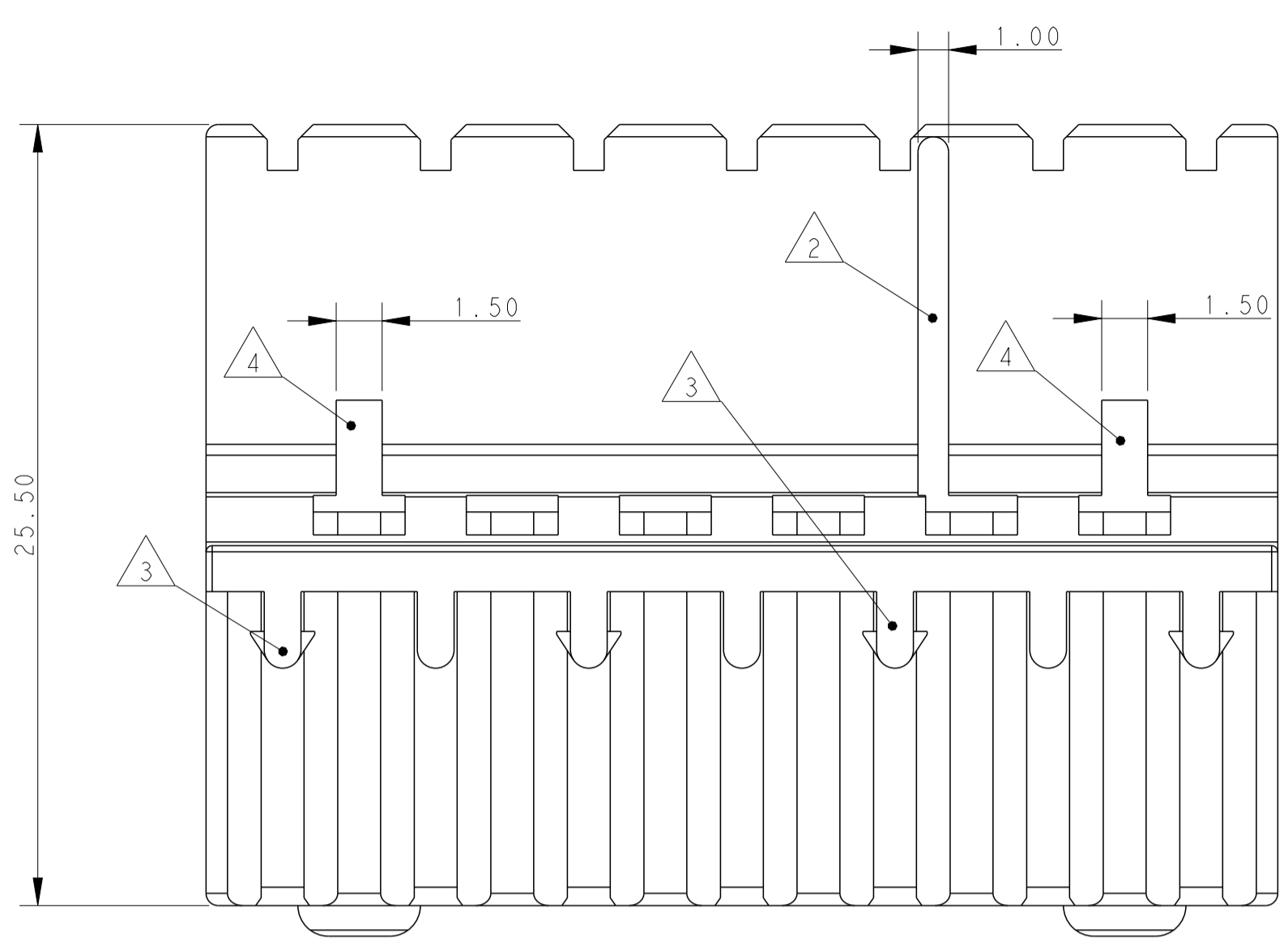
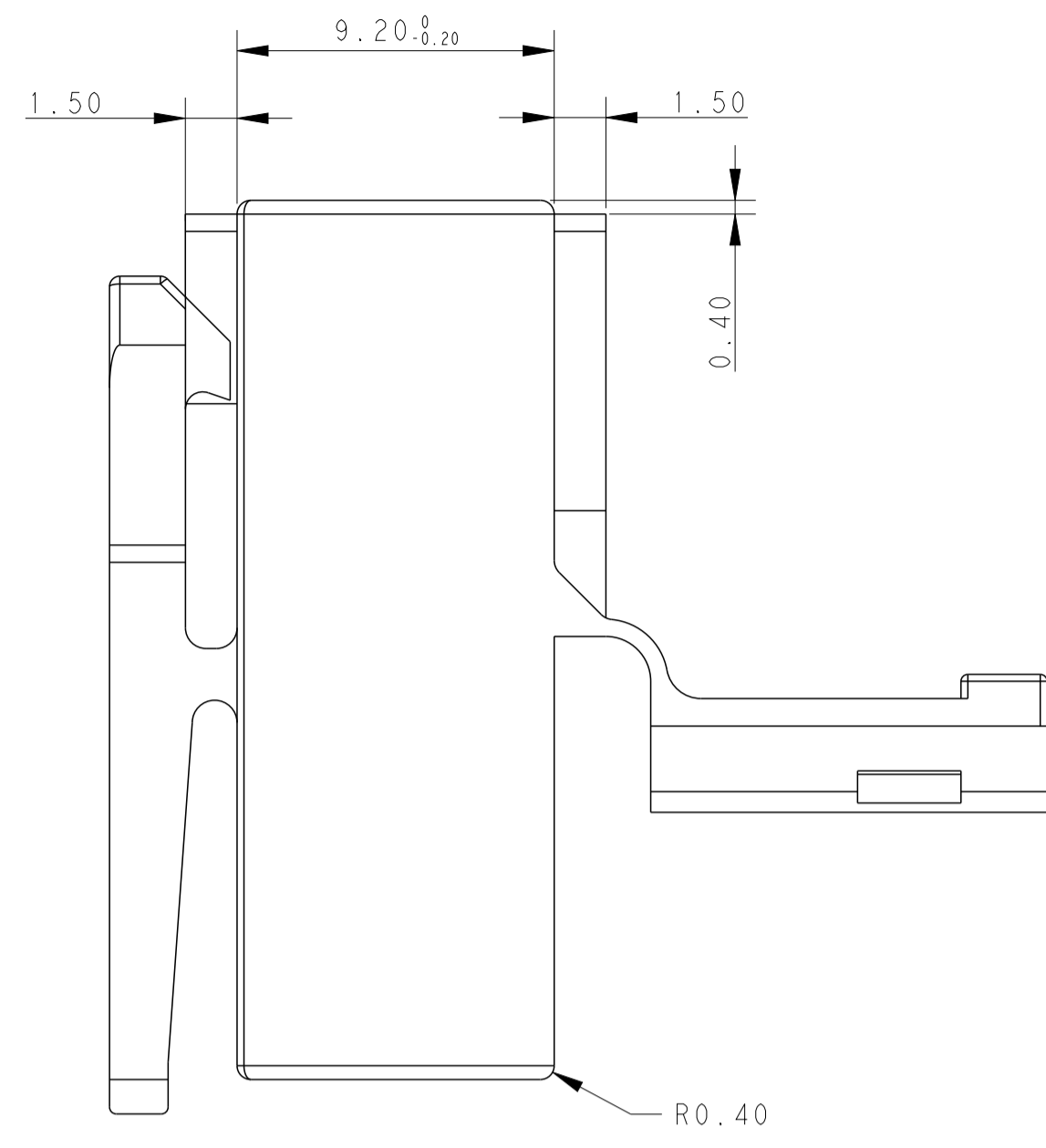
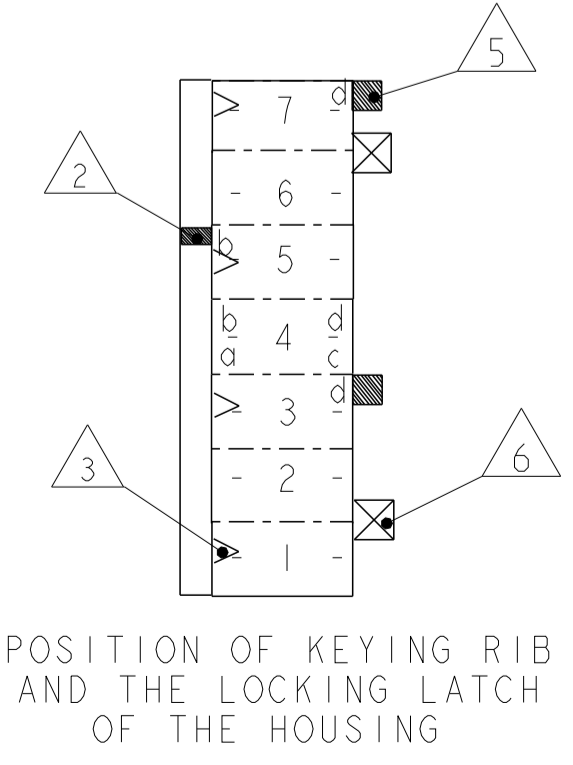
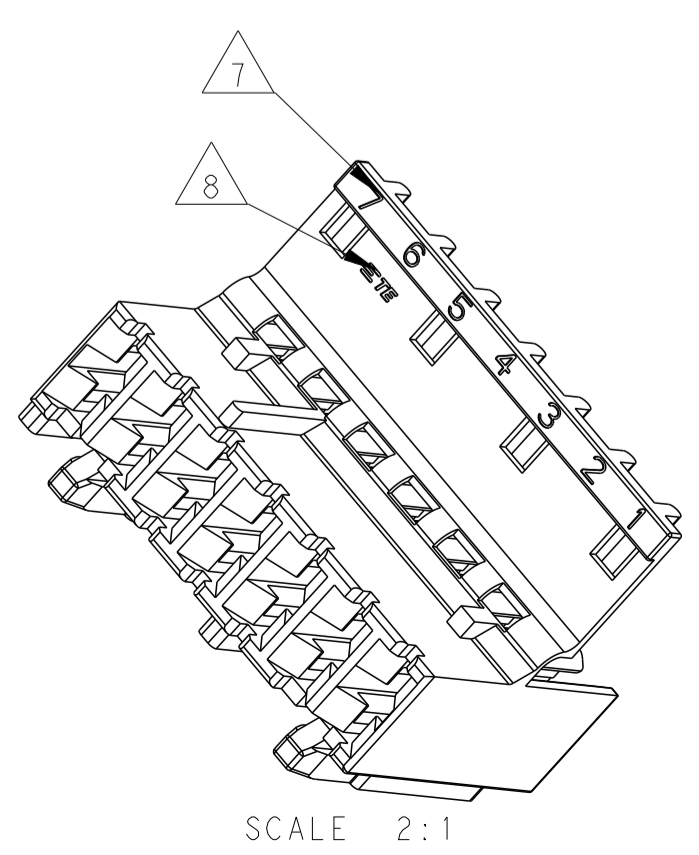
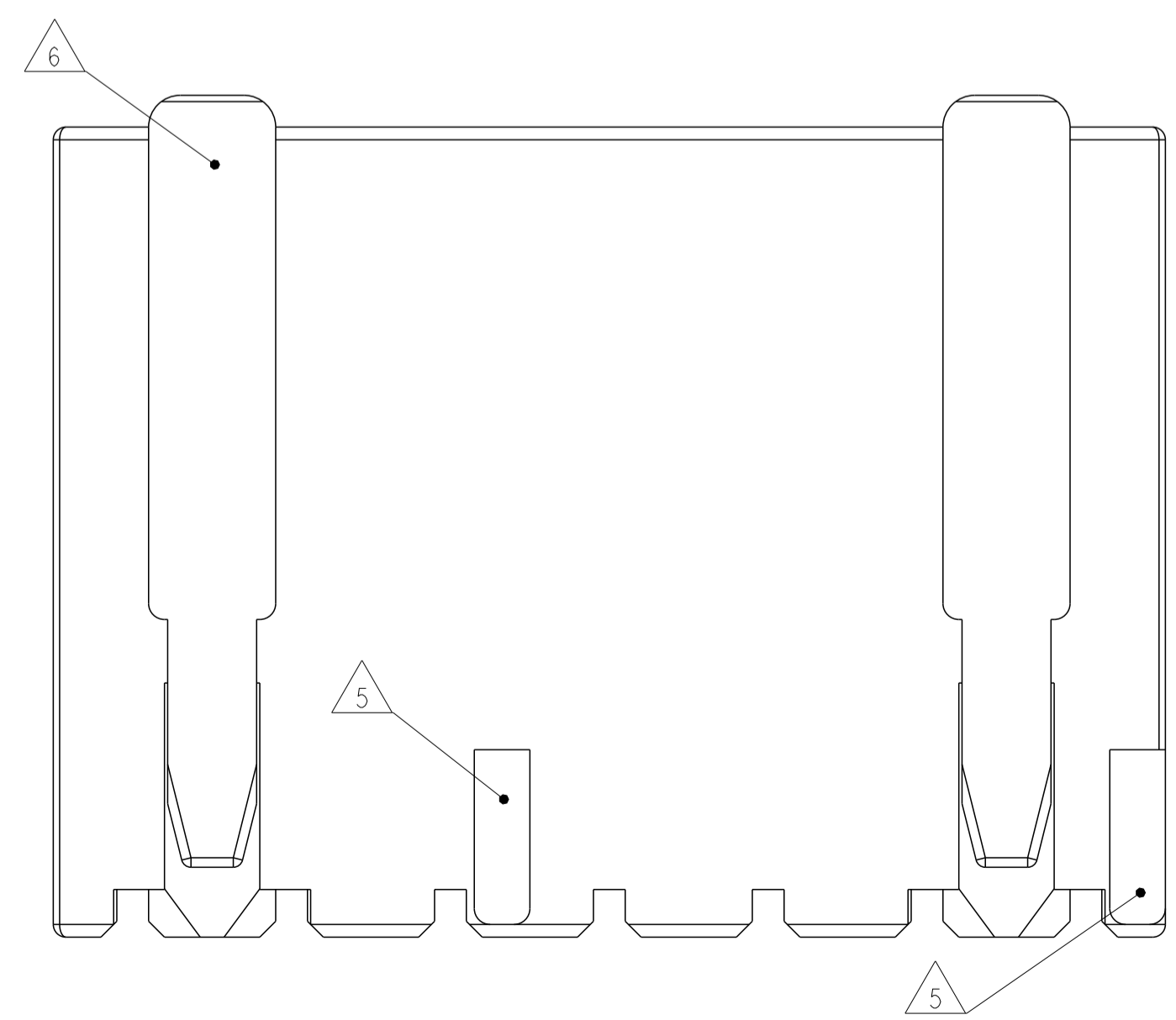
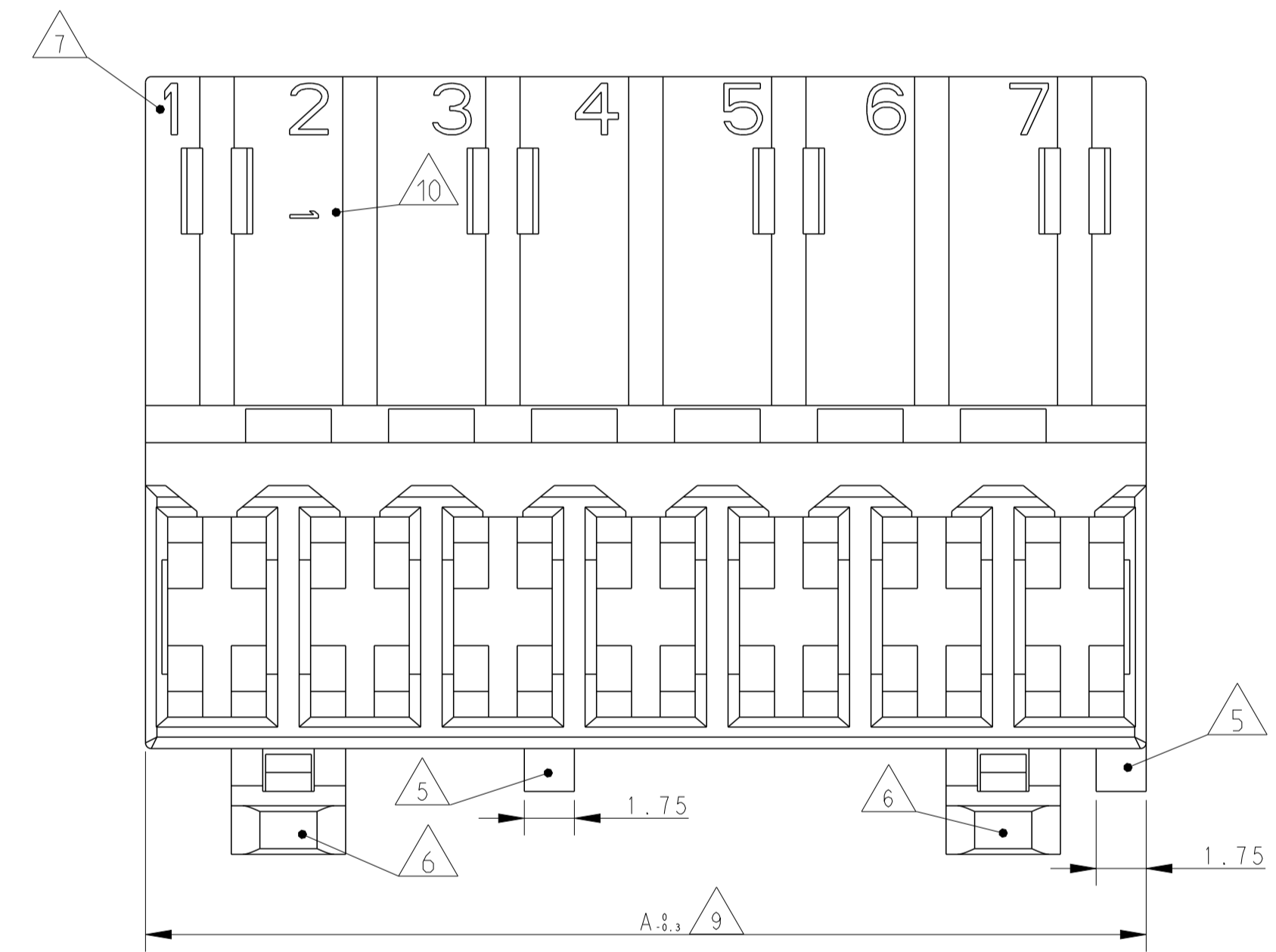
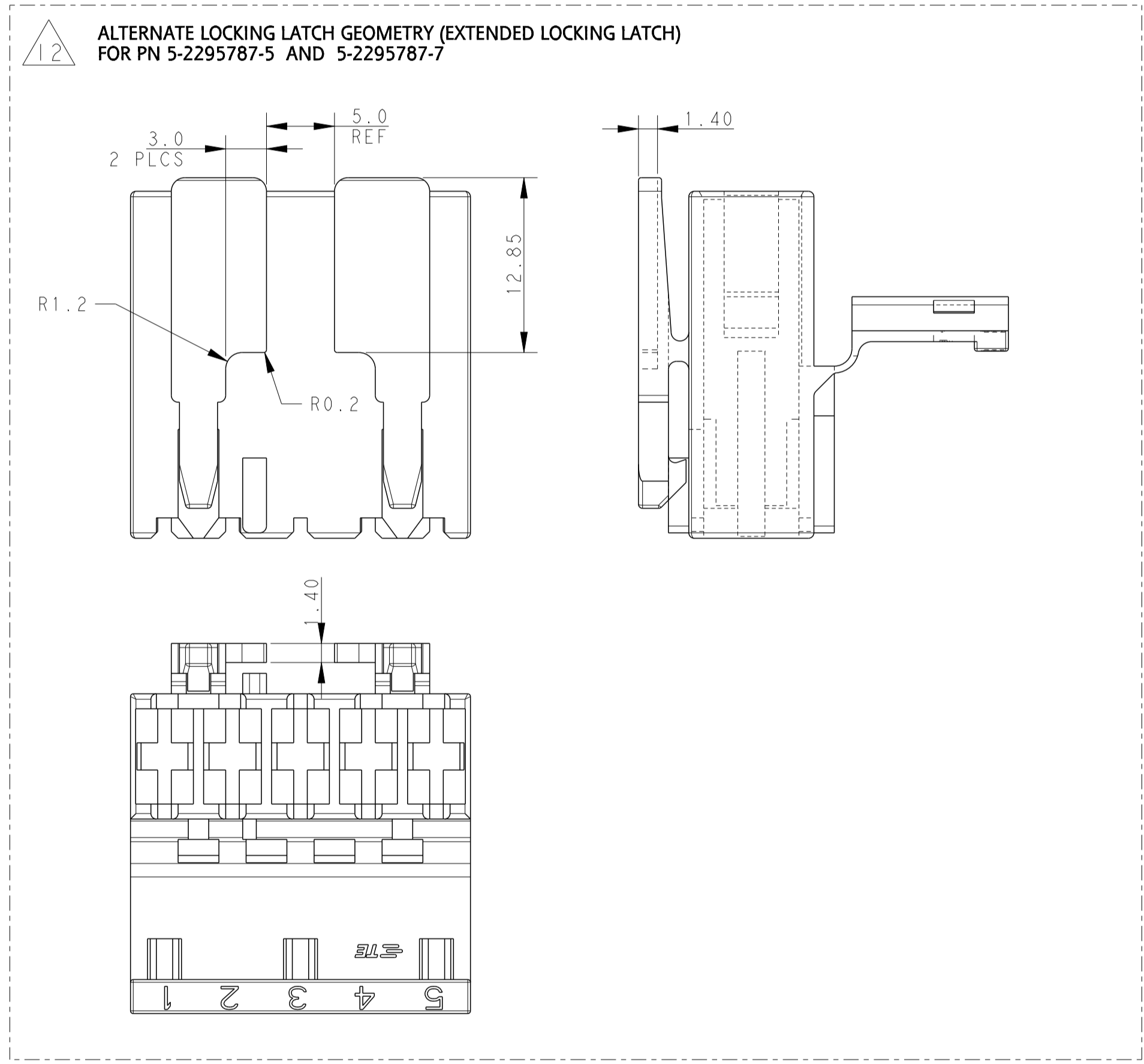


REVISIONS				
P.	LTN	DESCRIPTION	DATE	APVD
B1	ECR-21-112328		14SEP2021	SM FL
B2	ECR-22-129489		18FEB2022	PJ FL
B3	ECR-24-203749		28MAR2024	AK FL
B5	ECR-24-230894		24JAN2025	TL FL



NOTES

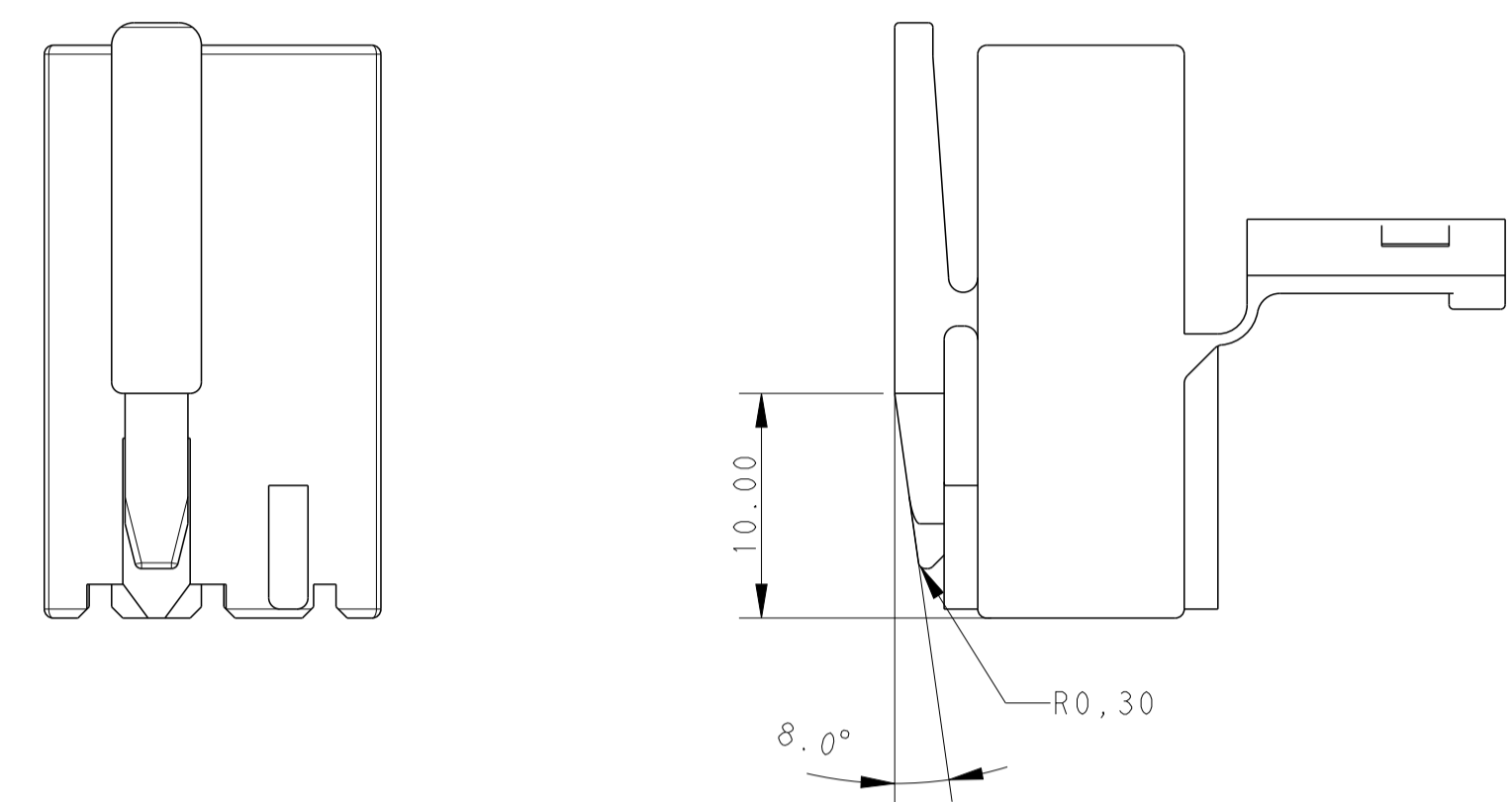
- 1 MATERIAL: PA66 UL94-V0 GWT750°C NF CT1 350V
- 2 POLARIZATION RIB GO THROUGH TO HINGE. POSITION "a" OR "b". AT CAVITY NO...
- 3 LOCKING DEVICE FOR COVER AT CAVITY NO
- 4 MATING STOP BETWEEN CAVITY NO 1 AND 2 ALSO BETWEEN THE LAST ONE AND LAST BUT ONE CAVITY
- 5 KEYING RIB POSITION "c" OR POSITION "d" AT CAVITY NO
- 6 LOCKING LATCH BETWEEN CAVITY NO
- 7 CONTACT CAVITY NO
- 8 AREA FOR TE LOGO
- 9 DIMENSION A AND DIMENSION B SEE TABLE
- 10 CAVITY MARKING
- 11 PRELIMINARY PART NUMBER
- 12 ALTERNATE LOCKING LATCH GEOMETRY
- 13 PRODUCT WITH HIGH RETENTION FORCE EXCLUDING NOTE 15/LOCKING LATCH STANDARD VERSION: MORE SPACE FOR LATCH ENGAGEMENT ARE NEEDED IN COUNT PART SIDE. RECOMMEND SPACE: 4.0mm Min.
- 14 MATERIAL: PA66 UL-94 V0 & GWPT 750°C NO FLAME ACCORDING TO IEC 60335-1
- 15 LOCKING LATCH STANDARD VERSION, SEE SHEET 2.
- 16 PART WITH LOW CLOSING FORCE OF TPA: MAX. 75N
- 17 SPECIAL VERSION WITH INTERNAL LOCKING LATCH



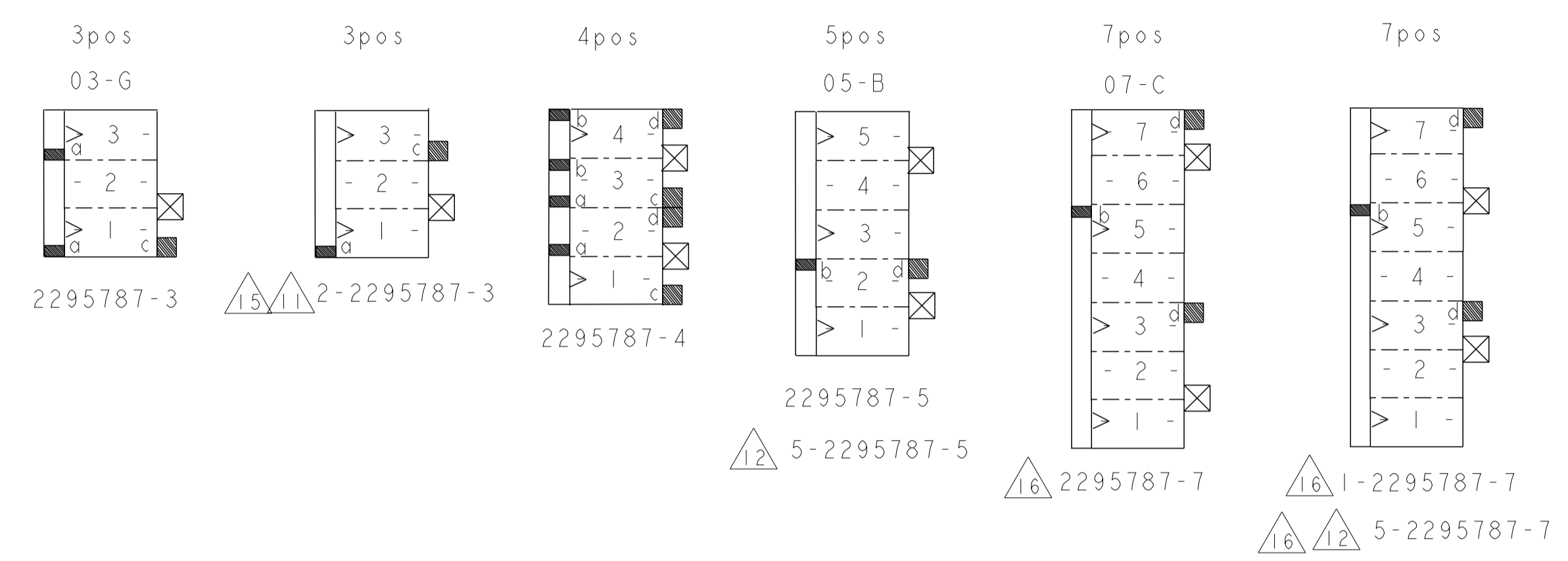
THIS DRAWING IS A CONTROLLED DOCUMENT.		OWN: Shown Li 12Mar2016	TE Connectivity
DIMENSIONS: mm		CHK: Federico Lupo 20May2016	
TOLERANCES UNLESS OTHERWISE SPECIFIED:		APVD: Riccardo Bokone 20May2016	NAME: STANDARD-TIMER HOUSING
0 PLC	±0.2	PRODUCT SPEC	SIZE: CAGE CODE: DRAWING NO: RESTRICTED TO:
1 PLC	±0.2	APPLICATION SPEC	A100779C=2295787
2 PLC	±0.2	WEIGHT	SCALE 3:1 SHEET 1 OF 2 REV B5
3 PLC	±0.2	CUSTOMER DRAWING	
4 PLC	±0.2		
5 PLC	±0.2		
ANGLES	±1°		
FINISH			

REVISIONS				
P.	LTN.	DESCRIPTION	DATE	DMN. / APVD.
-	-	SEE SHEET 1	-	-

15 SPECIAL LOCKING LATCH GEOMETRY (STANDARD VERSION) FOR PN 2-2295787-3

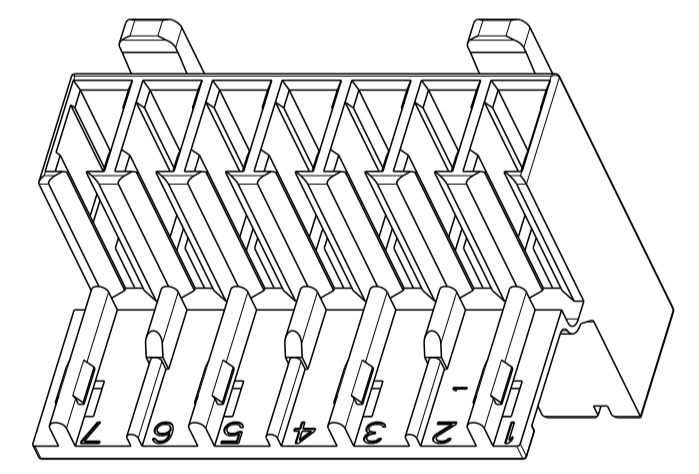
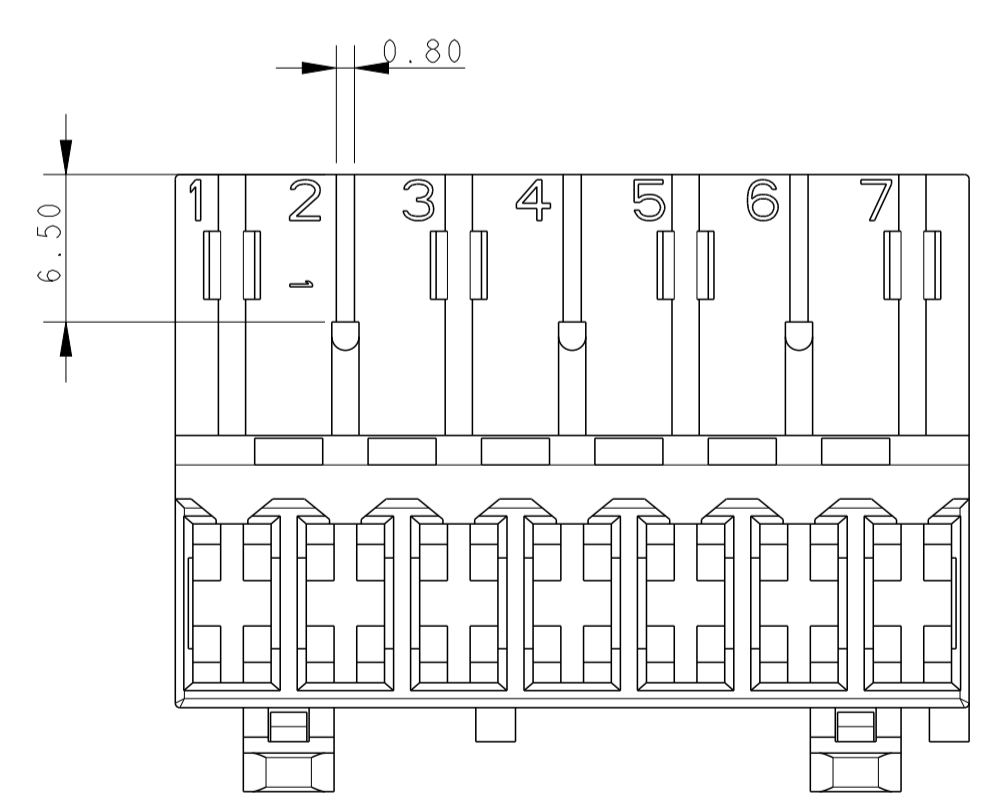


Other dimensions please refer to sheet 1



12 5-2295787-5	5	05-B	25	1	NATURE
2295787-5	5	05-B	25		
2295787-4	4	-	20		
12 2-2295787-3	3	-	15	14	
2295787-3	3	03-G	15	1	
PART NO.	POS.	RAST 5	DIM A	MATERIAL	COLOUR

16 ONLY FOR 7 POSITION PART

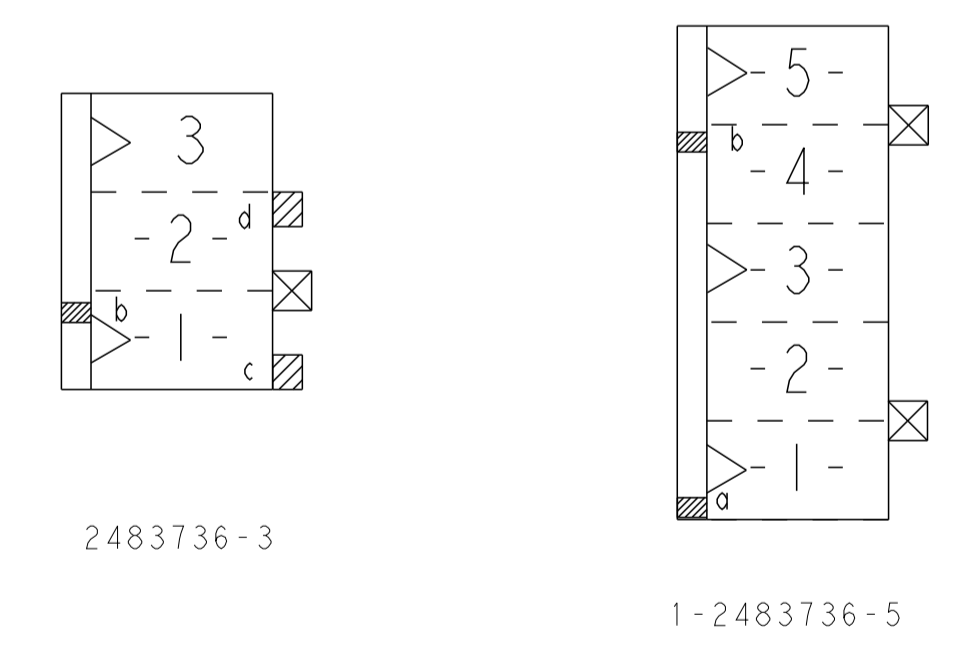
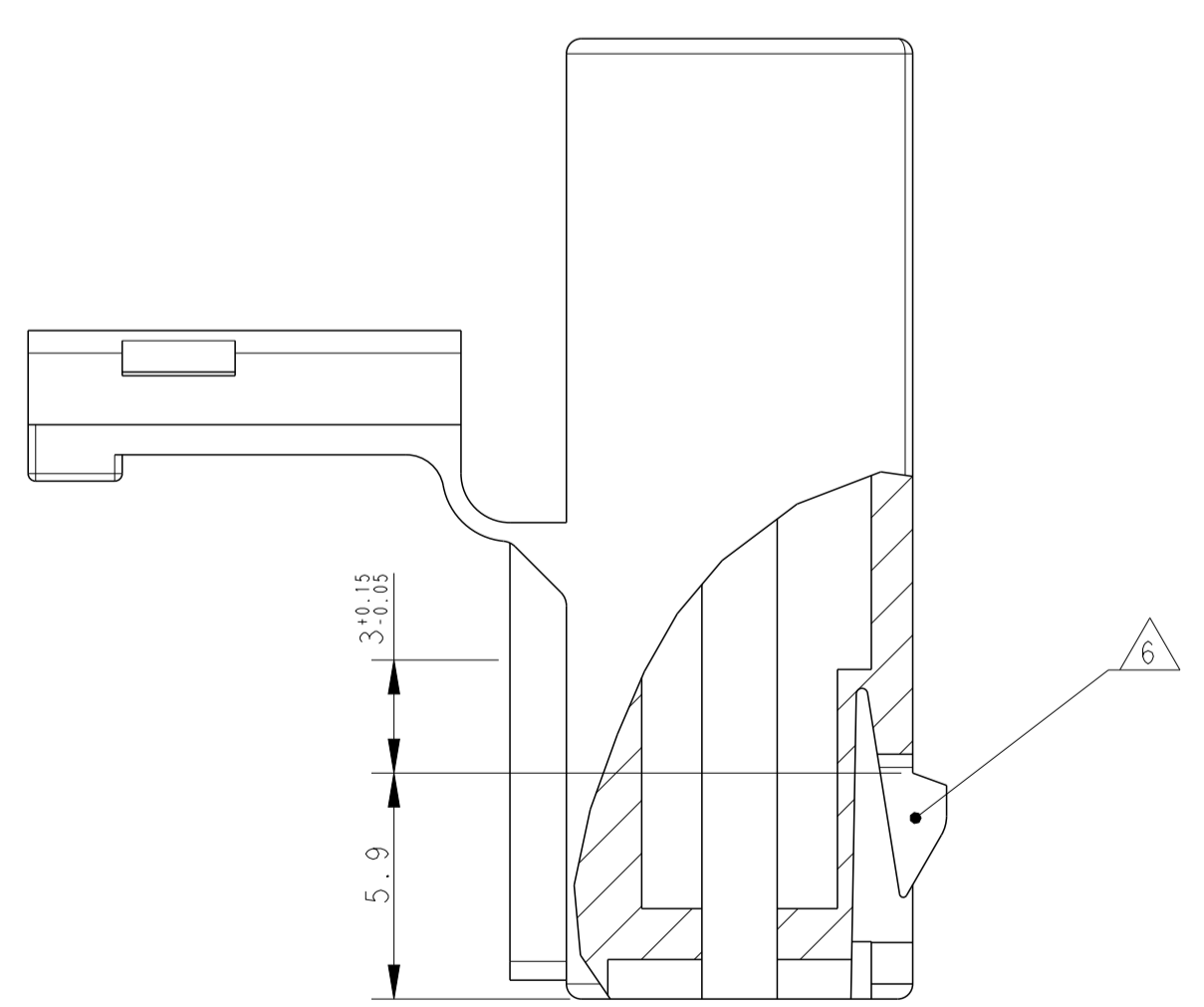


SCALE 2:1

Other dimensions please refer to sheet 1

12 5-2295787-7	7	-	35	1	NATURE
1-2295787-7	7	-	35		
2295787-7	7	07-C	35		
PART NO.	POS.	RAST 5	DIM A	MATERIAL	COLOUR

17 SPECIAL VERSION WITH INTERNAL LOCKING LATCH



1-2483736-5	5	-	25	1	NATURE
2483736-3	3	03-A	15		
PART NO.	POS.	RAST 5	DIM A	MATERIAL	COLOUR

THIS DRAWING IS A CONTROLLED DOCUMENT.

DMN: Shown Li 12Mar2016
CHK: Federico Lupo 20May2016
APVD: Riccardo Bobone 20May2016

STE TE Connectivity

NAME: STANDARD-TIMER HOUSING

PRODUCT SPEC: -

APPLICATION SPEC: -

SIZE: CAGE CODE: DRAWING NO: A100779C=2295787

RESTRICTED TO: -

MATERIAL: -

FINISH: -

WEIGHT: -

CUSTOMER DRAWING

SCALE: 3:1 SHEET 2 OF 2 REV: B5