

REVISIONS				
P	LTN	DESCRIPTION	DATE	OWN APVD
		ADDED		
G2		COLOUR UPDATED FOR 2-2296040-6	19OCT2021	HKS AHM
G3		2-2296040-2 ACTIVATED	04APR2022	MST FWI
G4		1-2296040-2 ACTIVATED	19MAY2022	MST FWI
G5		PNs OBSOLETE	29SEP2022	PK MST
G6		MATERIAL COLOUR IS CHANGED TO NATURAL FOR PN 2-2296040-7	11OCT2022	PK MST

- NOTES:
- 1 TE PART NUMBER
  - 2 CAVITY MARKING
  - 3 PART REVISION
  - 4 TE-TRADEMARK
  - 5 MATERIAL MARKING
  - 6 BULK PACKAGING IN PLASTIC BAG AND CORRUGATED SHIPPING BOX

TE-PART-NO.	REV	DESCRIPTION	PE CABLE		AC CABLE		LV CABLE		SIGNAL CABLE		MATERIAL	WEIGHT [g]	COLOUR
			DIM A	Ø	DIM B	Ø	DIM C	Ø	DIM D	Ø			
9-2296040-6	A	FAMILY SEAL AC 3PH	6.7	7.9-8.7	25	12.8	14.5-15.1	4x6	-	-	2x 0.95 7x 1.2-1.6	6.78	BROWN SIM. RAL 8011
2-2296040-7	A	FAMILY SEAL AC 3PH	3.9	4.6-5.0	6	12.1	14.5-15.1	4x6	-	-	3x 0.8 9x 1.2-1.6	7.21	NATURAL
2-2296040-6	A	FAMILY SEAL AC PE 16	6.7	7.4-8.3	16	-	-	-	-	-	2x 0.8 7x 1.2-1.6	7.67	YELLOW SIM. RAL 1016
2-2296040-5	A	FAMILY SEAL AC 5X6	-	-	-	13.2	15.7-16.3	5x6	-	-	3x 0.8 8x 1.2-1.6	7.16	WHITE SIM. RAL 9010
2-2296040-4	C	FAMILY SEAL AC 3X6	6.7	7.4-8.3	16	10.9	13.5-14.1	3x6	-	-	3x 0.8 11x 1.2-1.6	6.27	RED SIM. RAL 3027
2-2296040-3	A	FAMILY SEAL AC 3X6	-	-	-	10.9	13.5-14.1	3x6	-	-	3x 0.8 8x 1.2-1.6	7.61	NATURAL
2-2296040-2	A	FAMILY SEAL AC 2X6	3.9	4.6-5.0	6	10.1	12.2-12.8	2x6	-	-	3x 0.8 8x 1.2-1.6	7.53	ORANGE SIM. RAL 2004
1-2296040-9	C	FAMILY SEAL AC 1PH	3.9	4.6-5.0	6	10.1	12.2-12.8	2x6	-	-	3x 0.8 4x 1.2-1.6	7.56	BLACK SIM. RAL 9005
1-2296040-2	B	FAMILY SEAL 4x6. PE16	6.3	7.4-8.3	16	12.1	15.4-15.1	4x6	-	-	3x 0.8 11x 1.2-1.6	6.99	BLACK SIM. RAL 9005
2296040-8	A	FAMILY SEAL AC 5X6	6.7	7.4-8.3	16	14.2	15.7-16.3	5x6	-	-	2x 0.95 11x 1.2-1.6	6.43	RED BROWN SIM. RAL 3011
2296040-7	B	FAMILY SEAL COMBO AC	5.9	6.5-7.0	16	14.2	15.7-16.3	5x6	6.0	6.7-7.1	-	7.61	GREY SIM. RAL 7000
2296040-6	D	FAMILY SEAL COMBO AC	6.7	7.9-8.7	25	9.7	10.7-11.3	2x4	-	-	2x 0.95 7x 1.2-1.6	7.27	FLAME RED SIM. RAL 3000
2296040-5	D	FAMILY SEAL COMBO AC	6.7	7.4-8.3	16	-	-	-	-	-	3x 0.8 11x 1.2-1.6	7.65	BROWN SIM. RAL 8011
2296040-3	C	FAMILY SEAL AC 1PH	2.6	3.4-3.7	4	9.7	10.7-11.3	2x4	-	-	2x 0.95 4x 1.2-1.6	7.61	GREEN SIM. RAL 6010
2296040-2	C	FAMILY SEAL AC 4X6	-	-	-	13.2	14.5-15.1	4x6	-	-	2x 0.95 11x 1.2-1.6	7.17	YELLOW SIM. RAL 1016

**OBSOLETE**

G6

G6

THIS DRAWING IS A CONTROLLED DOCUMENT. DIMENSIONING AND TOLERANCING PER ISO STANDARDS.

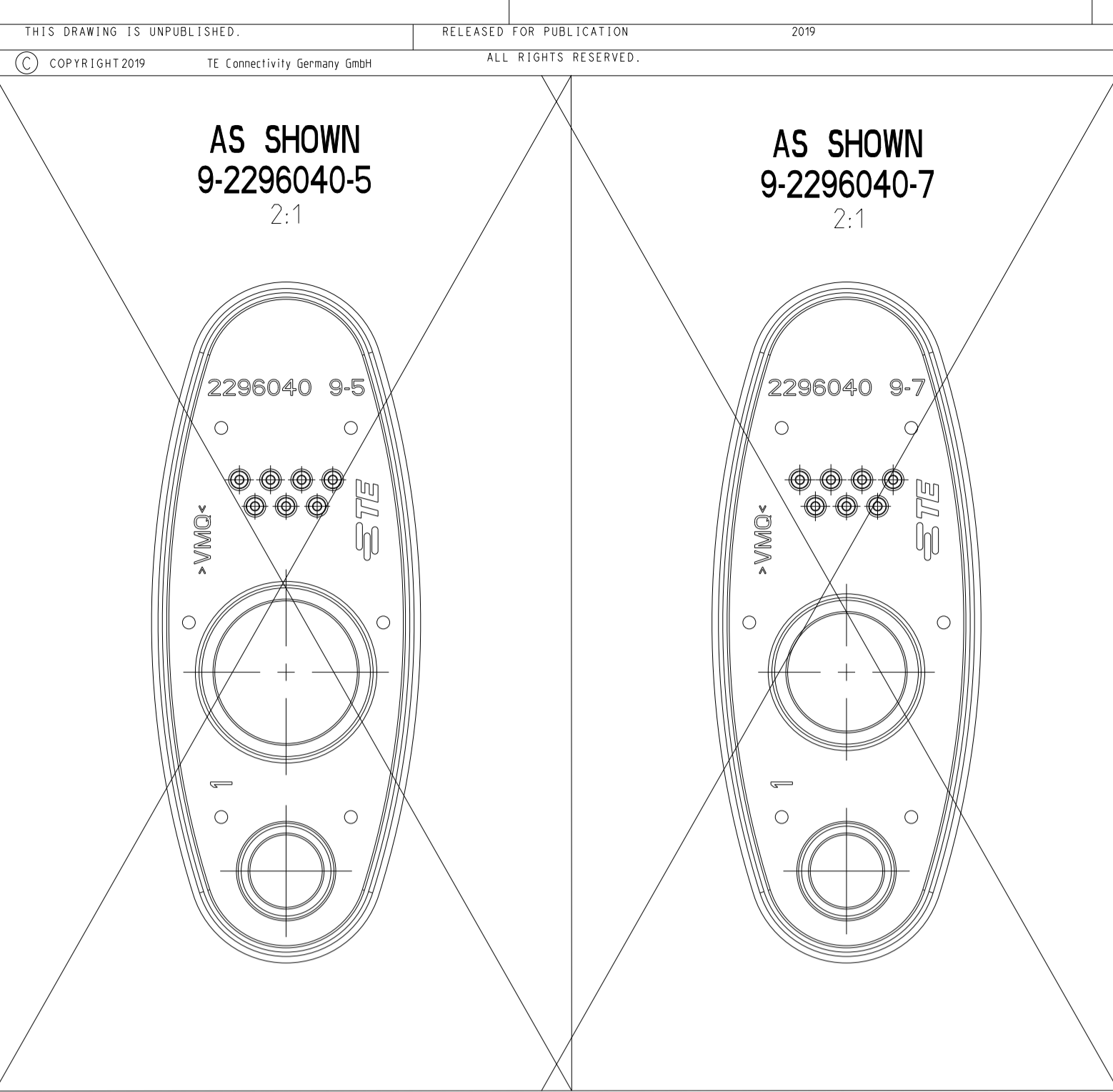
OWNER: Shrikant S. 28 JAN 2019  
 CHK: F. Wittrock 29 JAN 2019  
 APVD: F. Wittrock 29 JAN 2019

NAME: FAMILY SEAL, AC  
 PRODUCT SPEC: -  
 APPLICATION SPEC: -  
 WEIGHT: -

MATERIAL: SEE TABLE

CUSTOMER DRAWING

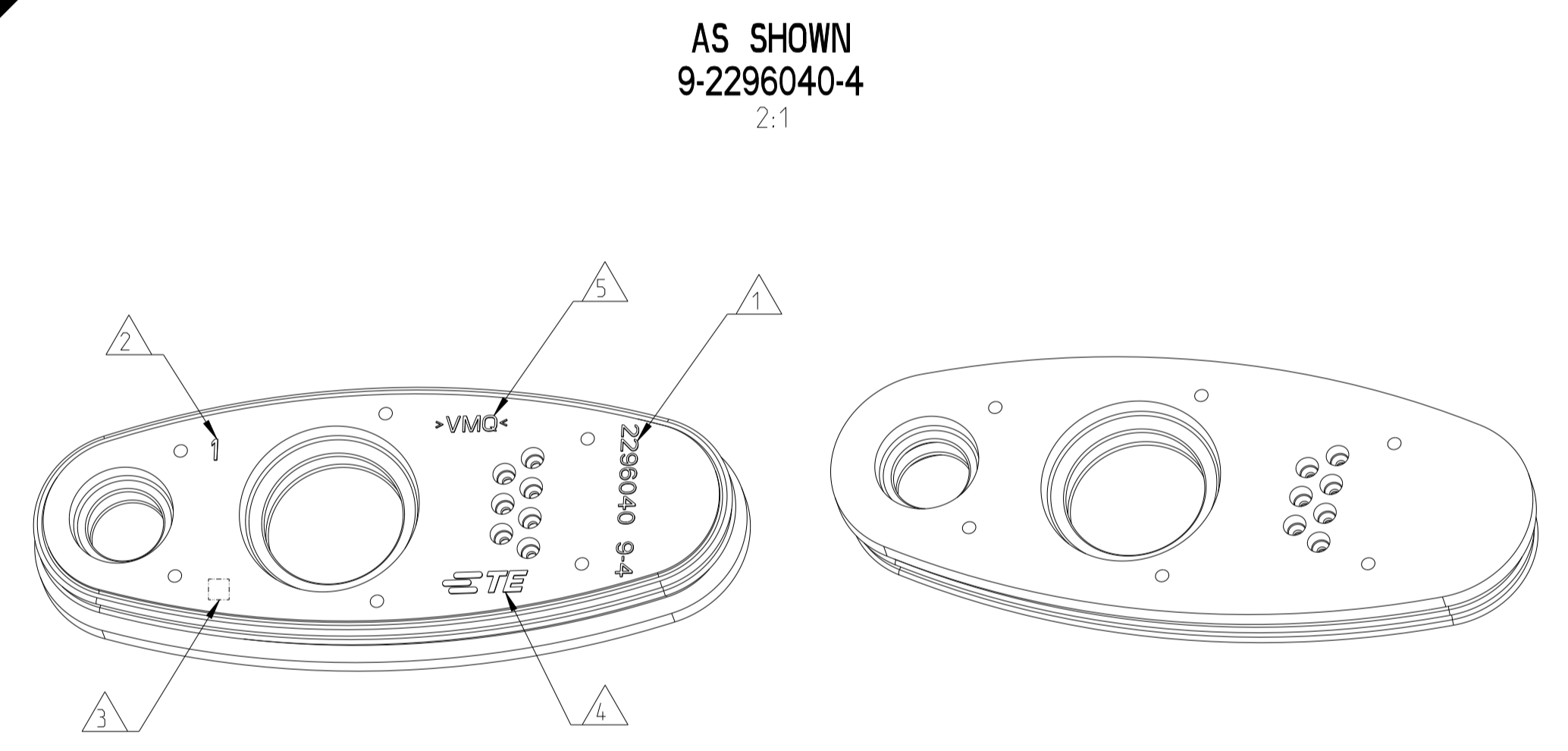
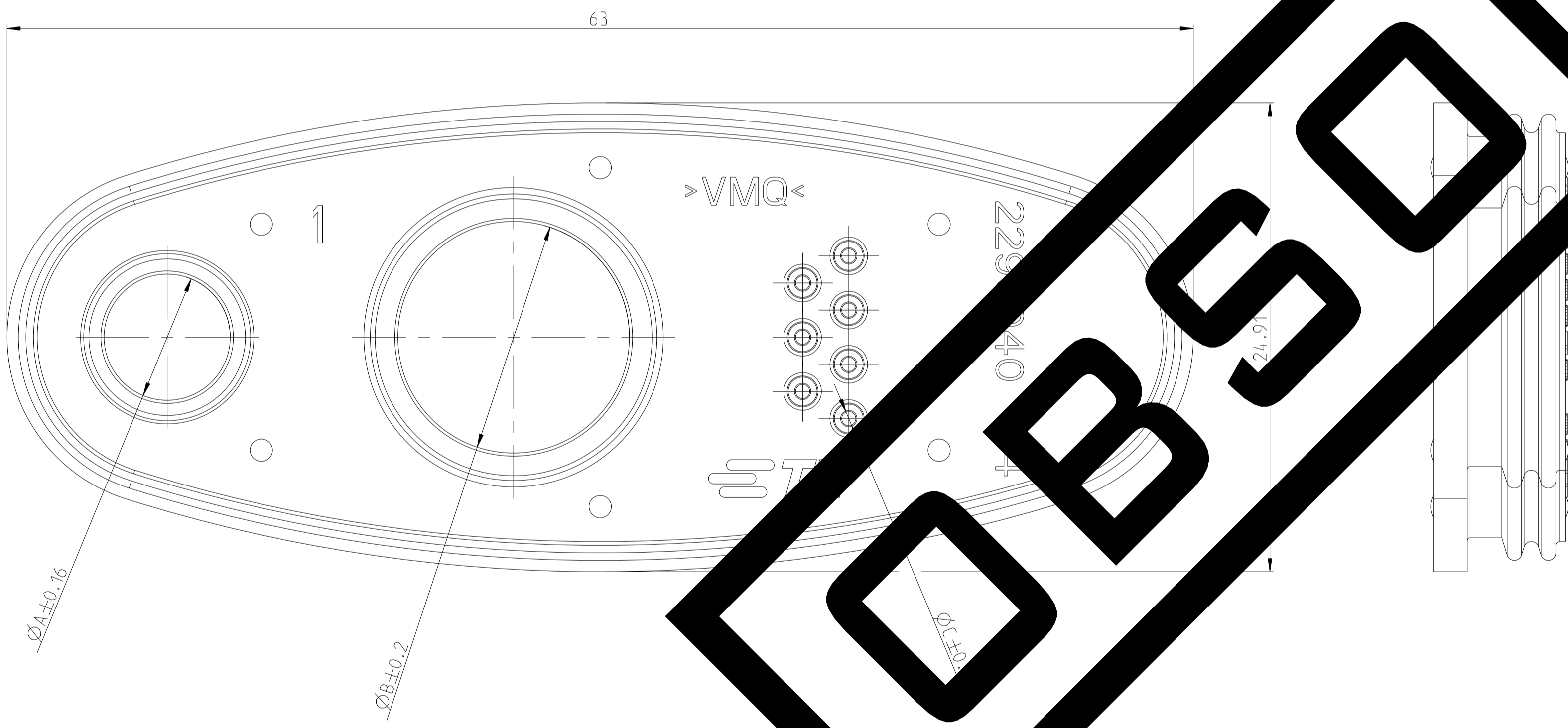
SCALE: 5:1 SHEET 1 OF 2 REV: G6



REVISIONS				
P	LTN	DESCRIPTION	DATE	APVD
-		SEE SHEET 1	-	-

- NOTES:
- 1 TE PART NUMBER
  - 2 CAVITY MARKING
  - 3 PART REVISION AS SHOWN
  - 4 TE-TRADEMARK
  - 5 MATERIAL MARKING
  - 6 BULK PACKAGING IN PLASTIC BAG AND CORRUGATED SHIPPING BOX

OBSOLETE



G5	OBSOLETE	TE-PART-NO.	REV	DESCRIPTION	PE CABLE			AC CABLE			SIGNAL CABLE		MATERIAL	WEIGHT (g)	COLOUR
					DIM A	$\phi$	mm <sup>2</sup>	DIM B	$\phi$	mm <sup>2</sup>	DIM C	$\phi$			
G5	OBSOLETE	9-2296040-7	A	FAMILY SEAL AC 1PH	6.7	7.4 8.7	16/25	10.9	12.2- 12.8	2x6	0.95	7x 1.2-1.6		7.22	LIGHT GREY SIM. RAL 7000
G5	OBSOLETE	9-2296040-5	A	FAMILY SEAL COMBO AC 3PH	6.7	7.4 8.7	16/25	13.2	14.5- 15.1	4x6	0.95	7x 1.2-1.6	SILICON RUBBER	6.76	YELLOW SIM. RAL 1026
G5	OBSOLETE	9-2296040-4	A	FAMILY SEAL COMBO AC 1PH	6.7	7.4 8.7	16/25	12.3	13.5- 14.1	3x6	0.95	7x 1.2-1.6		7.09	ROYAL BLUE SIM. RAL 5005

THIS DRAWING IS A CONTROLLED DOCUMENT. DIMENSIONING AND TOLERANCING PER GPS (ISO STANDARDS).

DIMENSIONS: mm  
 TOLERANCES UNLESS OTHERWISE SPECIFIED: TE 115-1228-2  
 DIMENSIONS: 0-PLC #, 1-PLC #, 2-PLC #, 3-PLC #, 4-PLC #, ANGLES #, FINISH #

DWN: Shrikanth S 28JAN2019  
 CHK: F. Wittrock 29JAN2019  
 APVD: F. Wittrock 29JAN2019  
 PRODUCT SPEC: APPLICATION SPEC

NAME: FAMILY SEAL, AC  
 SIZE: A1  
 CAGE CODE: 00779  
 DRAWING NO: C=2296040  
 SCALE: 5:1  
 SHEET: 2 OF 2  
 REV: G6

**STE** TE Connectivity  
 CUSTOMER DRAWING