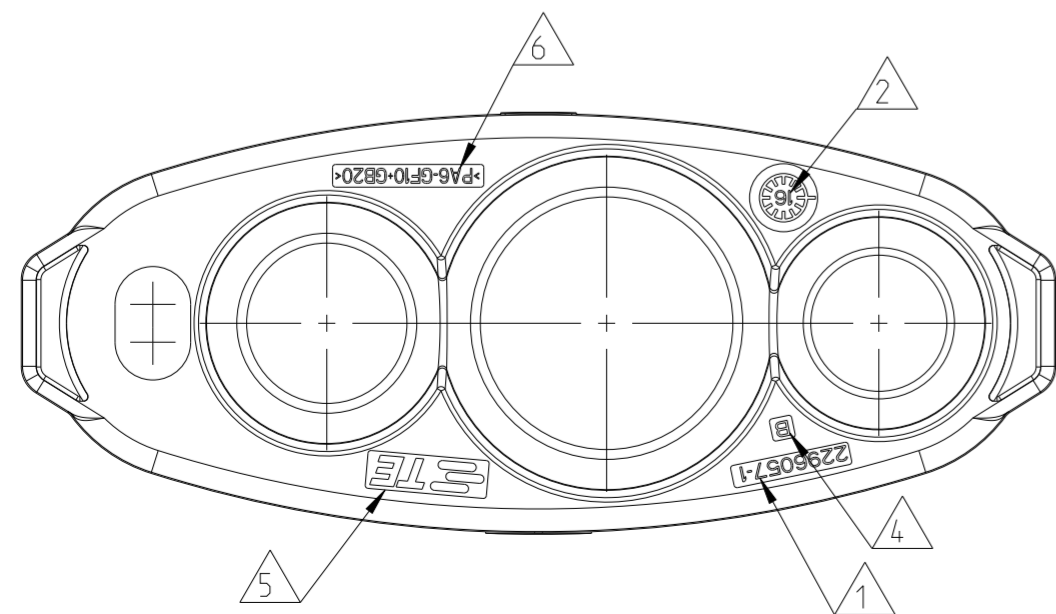
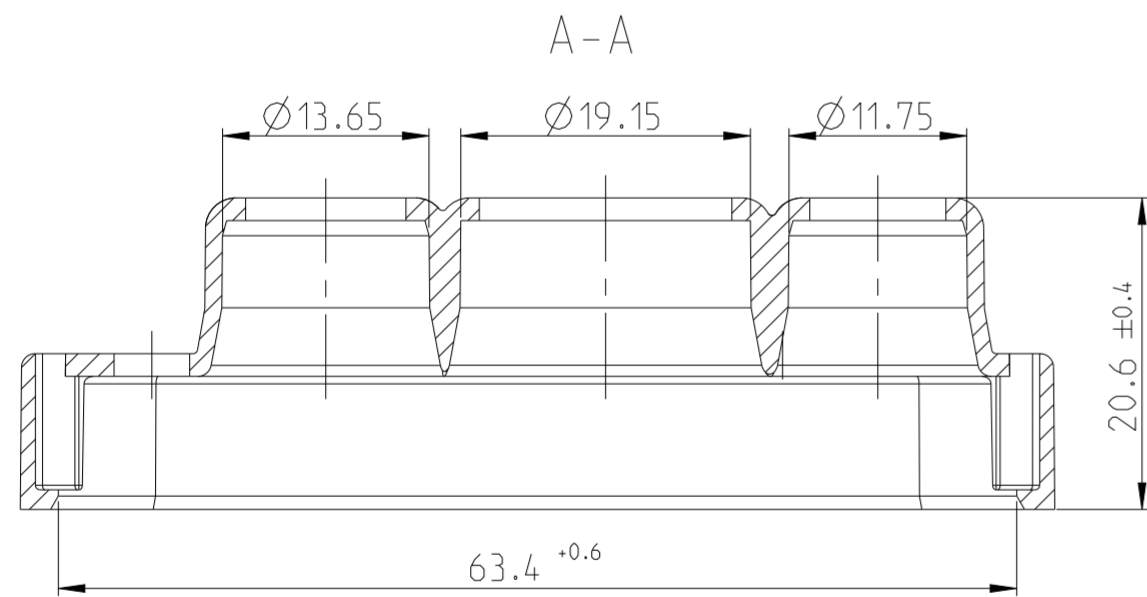
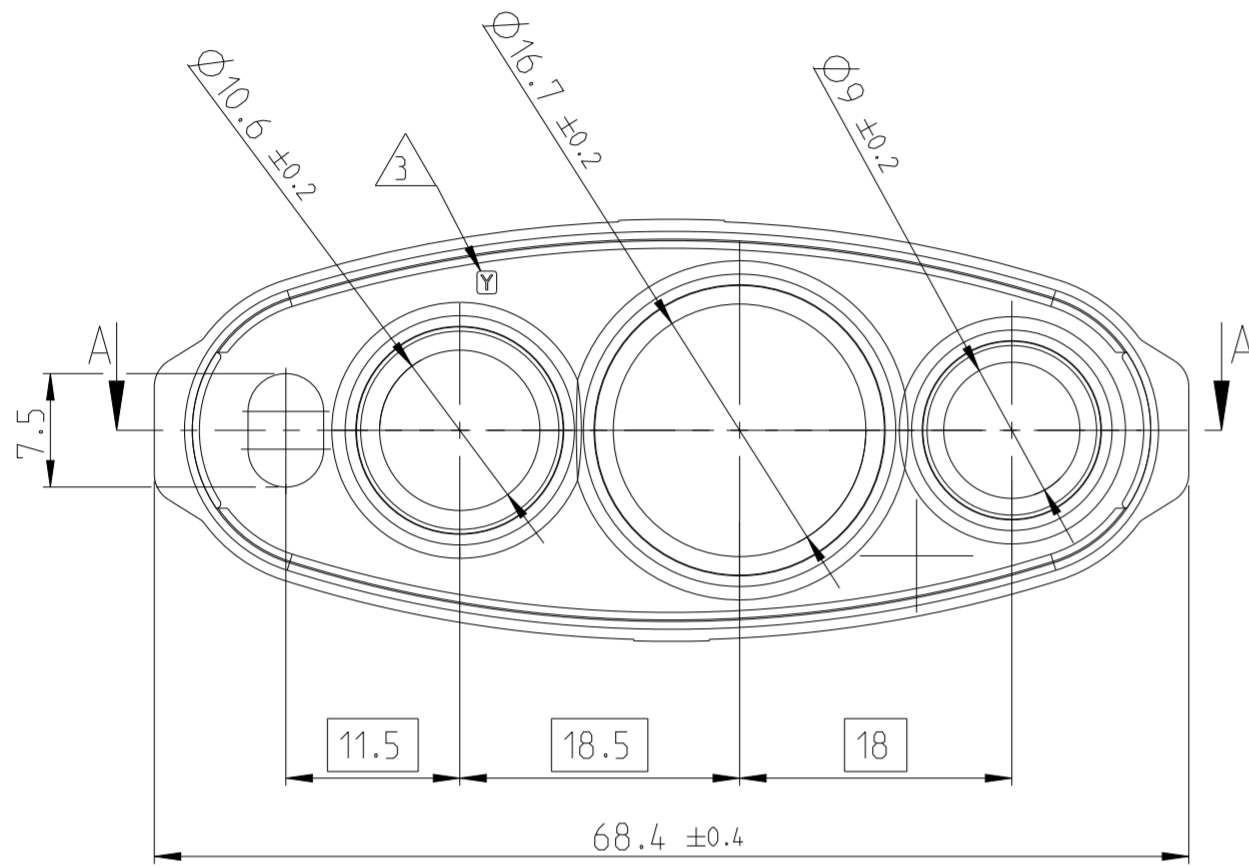
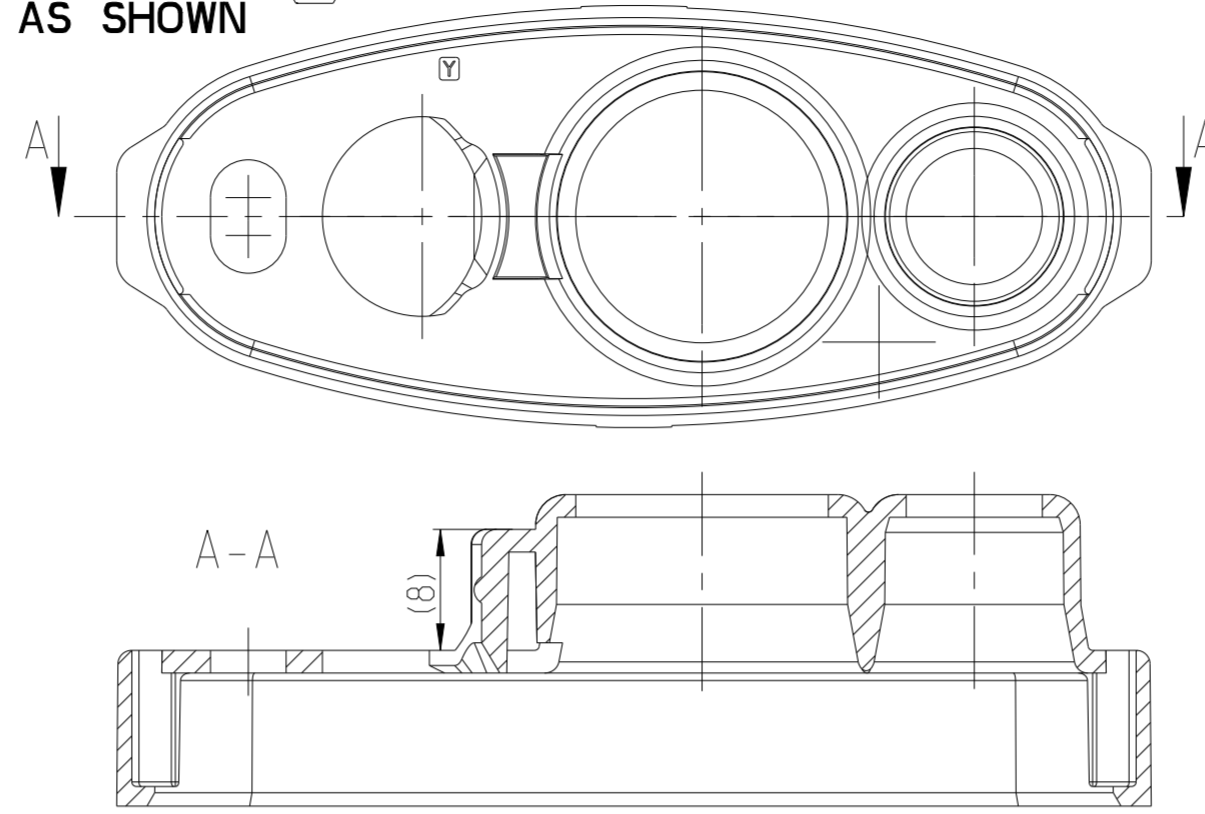


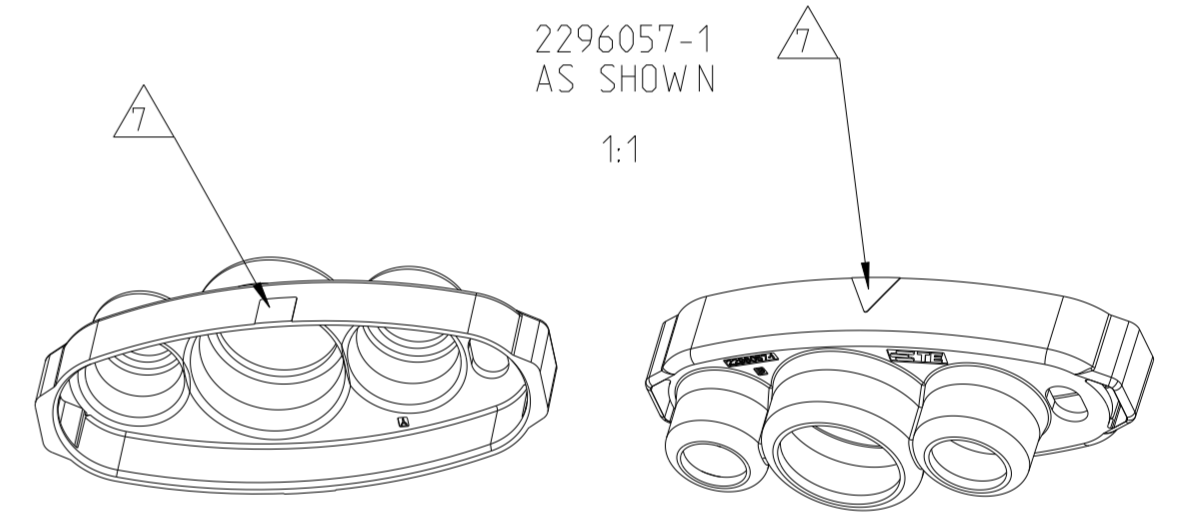
2296057-2
2296057-3
5-2296057-3
AS SHOWN



REVISIONS					
P	LTR	DESCRIPTION	DATE	DWN	APVD
B3		DIMENSION UPDATED	15OCT2018	SGS	FW I
B4		NEW VARIANT 5-2296057-3 ADDED	27MAY2020	RC	SK
B5		MATERIAL CORRECTED FOR 5-2296057-3 VARIANT	04MAR2021	HKS	MMA
C		5-2296057-3 VARIANT IS OBSOLETE	10JAN2024	VR	JN

NOTES

- 1 TE PART NUMBER
- 2 PRODUCTION DATE WITH DATE INSERT MONTH/YEAR
- 3 CAVITY MARKING
- 4 PART REVISION
- 5 TE-TRADEMARK
- 6 MATERIAL MARKING
- 7 ORIENTATION MARKING
- 8 BULK PACKAGING IN PLASTIC BAG AND CORRUGATED SHIPPING BOX



TE-PART-NO.	REV.	DESCRIPTION	MATERIAL	WEIGHT [g]	COLOUR
5-2296057-3	B	COVER, CABLE SEAL, AC	PA6-GF10+GB20	5.96	BLACK
2296057-3	B	COVER, CABLE SEAL, AC	PA6-GF30	5.96	ORANGE SIMILAR RAL 2003
2296057-2	B	COVER, CABLE SEAL, AC	PA6 GF10+GB20	5.96	
2296057-1	B	COVER, CABLE SEAL, AC		6.53	

THIS DRAWING IS A CONTROLLED DOCUMENT. DIMENSIONING AND TOLERANCING PER GPS (ISO STANDARDS).		DWN Vishwa A 29JUN2016	TE Connectivity		
DIMENSIONS: mm		CHK F. Wittrock 29JUN2016			
TOLERANCES UNLESS OTHERWISE SPECIFIED: DIN 16742 TG5		APVD F. Wittrock 29JUN2016	NAME COVER, CABLE SEAL, AC		
0-PLC ±		PRODUCT SPEC	SIZE A2		
1-PLC ±		APPLICATION SPEC	CAGE CODE -		
2-PLC ±		WEIGHT -	DRAWING NO. C-2296057		
3-PLC ±		CUSTOMER DRAWING	RESTRICTED TO -		
4-PLC ±		SCALE 2:1	SHEET 1 OF 1		
ANGLES ±			REV C		
FINISH -					