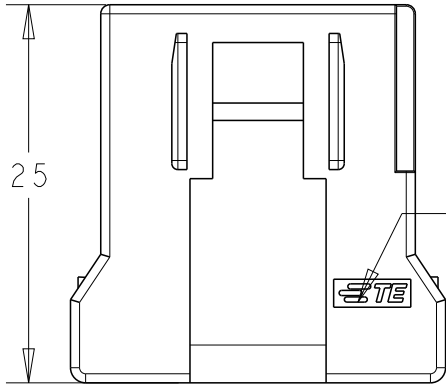
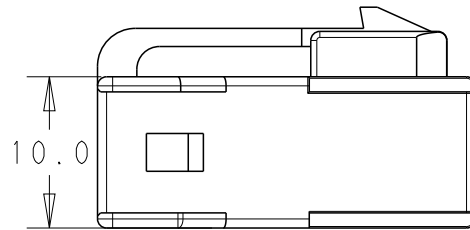
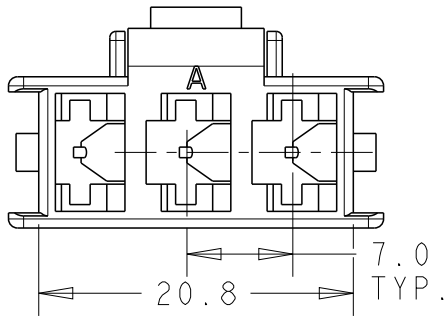
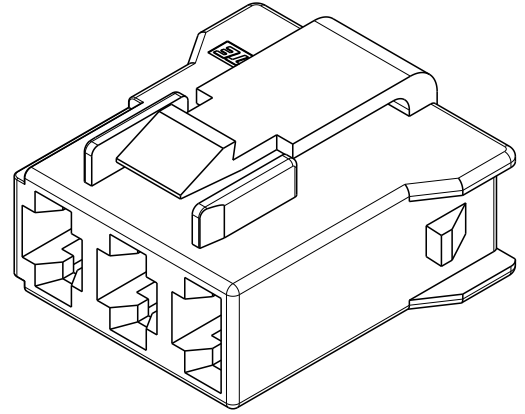


REVISIONS					
P	LTR	DESCRIPTION	DATE	DWN	APVD
	B	REVISED PER ECR-23-181028	04OCT2023	SS	RE



TE TRADE MARK



NOTE:

1. MATERIAL: THERMOPLASTIC, UL 94 V-0.
2. APPLIED CONTACT P/N: 170032-\*, 170258-\*.
3. MATED CAP HOUSING P/N 2297438-3.
4. GWT 750°C VERSION, ACC. TO IEC 60335-1.

NATURAL	3	2297440-3
COLOUR	POS. NUMBER	P/N

THIS DRAWING IS UNPUBLISHED.

ALL RIGHTS RESERVED. BY - COPYRIGHT 20

DIMENSIONS: mm	DWN LEI PAN	30OCT2015	MATERIAL	NYLON	FINISH	-
	CHK TIM DING	30OCT2015	TE Connectivity			
TOLERANCES UNLESS OTHERWISE SPECIFIED:	APVD TIM DING	30OCT2015				
	0 PLC ±-	PRODUCT SPEC	SIZE	CAGE CODE	DRAWING NO	RESTRICTED TO
1 PLC ±0.3	108-106178	APPLICATION SPEC	A 4	-	C-2297440	-
2 PLC ±-	WEIGHT	-	CUSTOMER DRAWING			SCALE
3 PLC ±-						2:1
4 PLC ±-						SHEET
ANGLES ±-						1 OF 1
						REV
						B

