

THIS DRAWING IS UNPUBLISHED.

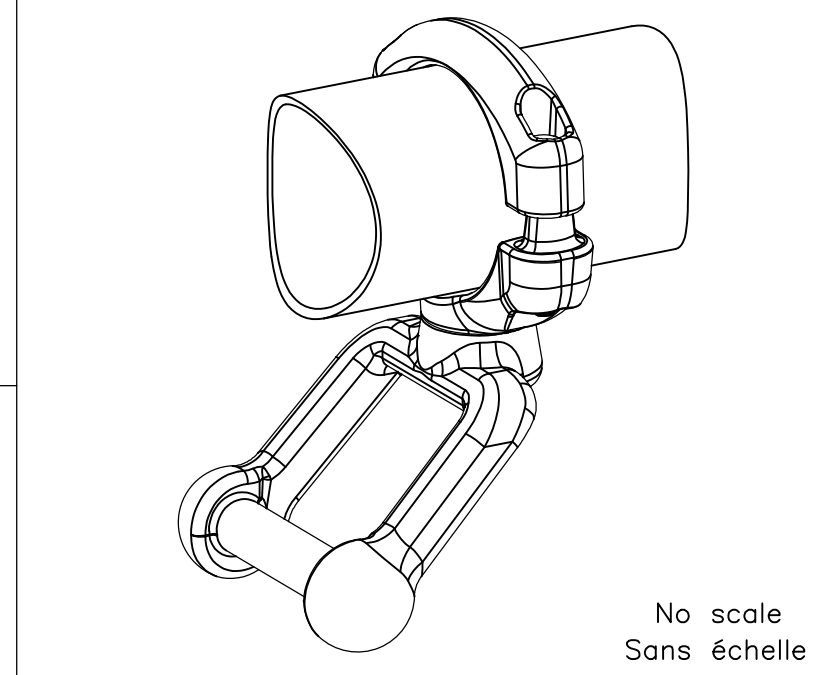
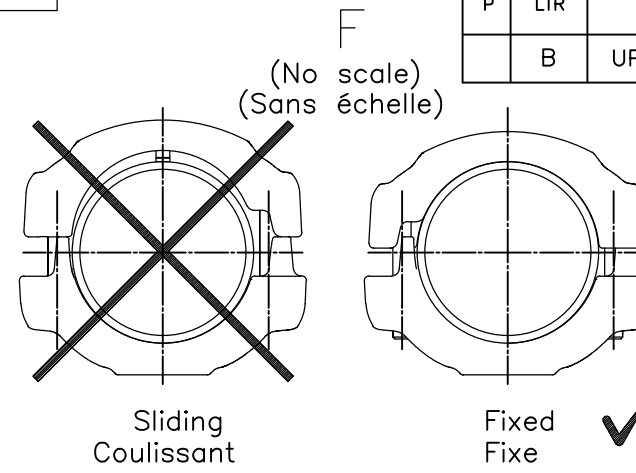
RELEASED FOR PUBLICATION

ALL RIGHTS RESERVED.

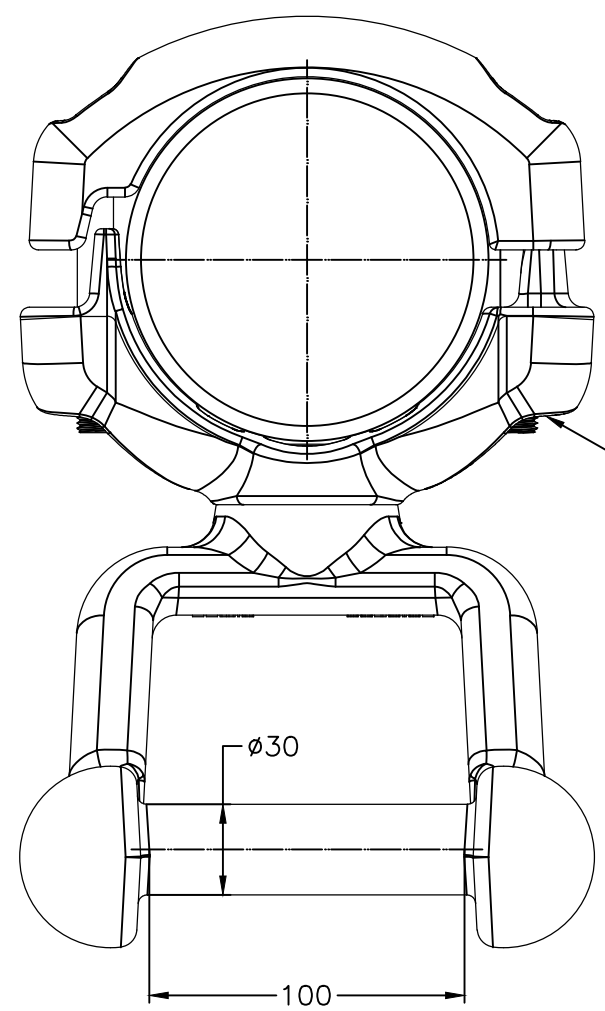
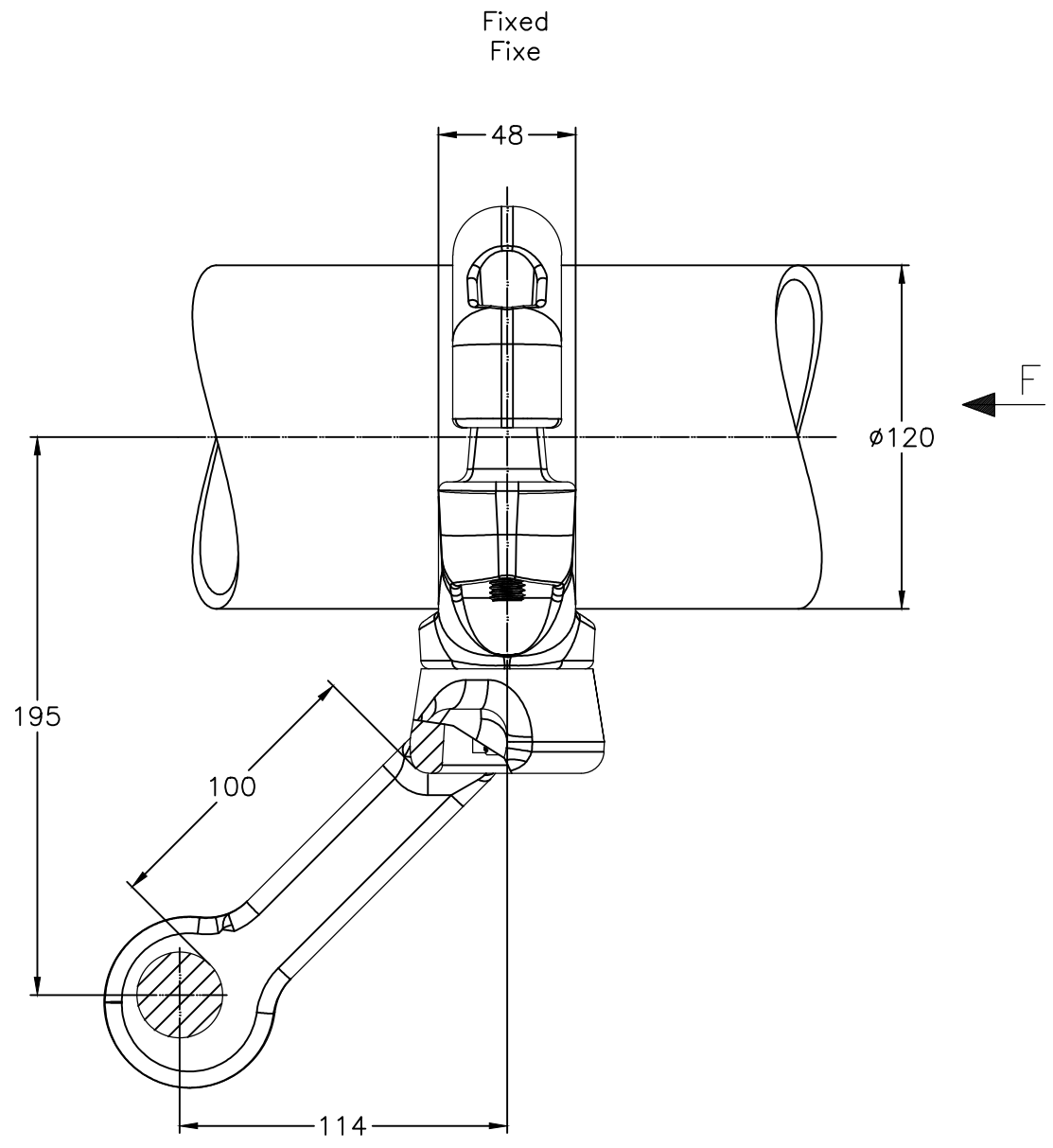
© COPYRIGHT - By -

REVISIONS

P	LTR	DESCRIPTION	DATE	DWN	APVD
	B	UPDATED DESIGNATION	06-Dec-16	JG	-



No scale  
Sans échelle



M12 Stainless steel bolts A4: 60Nm  
Boulons M12 acier inoxydable A4: 60Nm

THIS DRAWING IS A CONTROLLED DOCUMENT.		DWN GODARD	06-Dec-16	<b>STE</b> TE Connectivity	
DIMENSIONS: mm		CHK -	APVD -		
TOLERANCES UNLESS OTHERWISE SPECIFIED:		PRODUCT SPEC 108-69093-001		SIZE A3	CAGE CODE 00779
0 PLC ± -		APPLICATION SPEC -		DRAWING NO C=2297775	RESTRICTED TO -
1 PLC ± -		APPROX.WEIGHT 2.6 kg		SCALE 2/5	SHEET 1 OF 1
2 PLC ± -		CUSTOMER DRAWING		REV B	
3 PLC ± -					
4 PLC ± -					
ANGLES ± -					
FINISH -					

ITEM:.....