

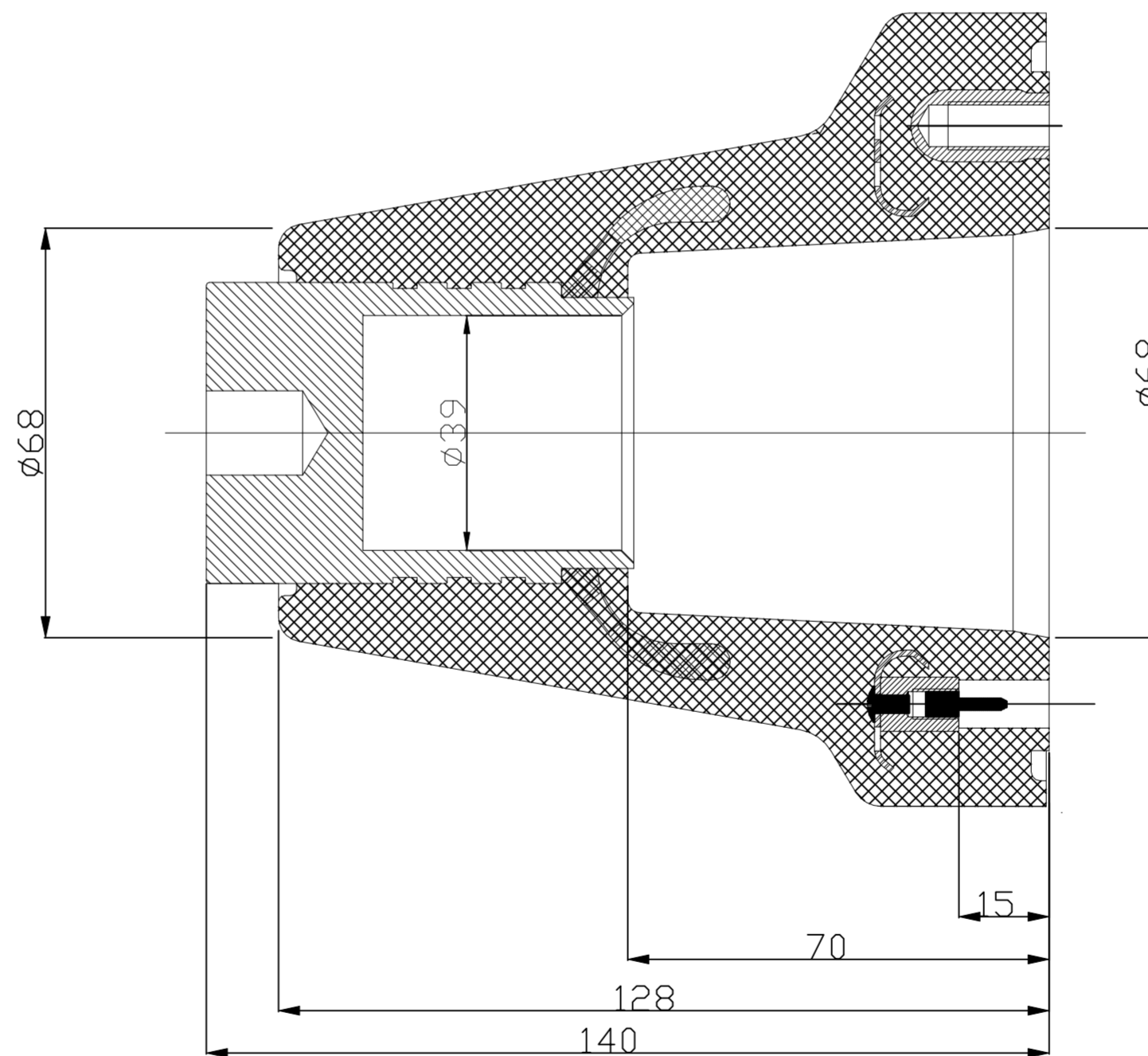
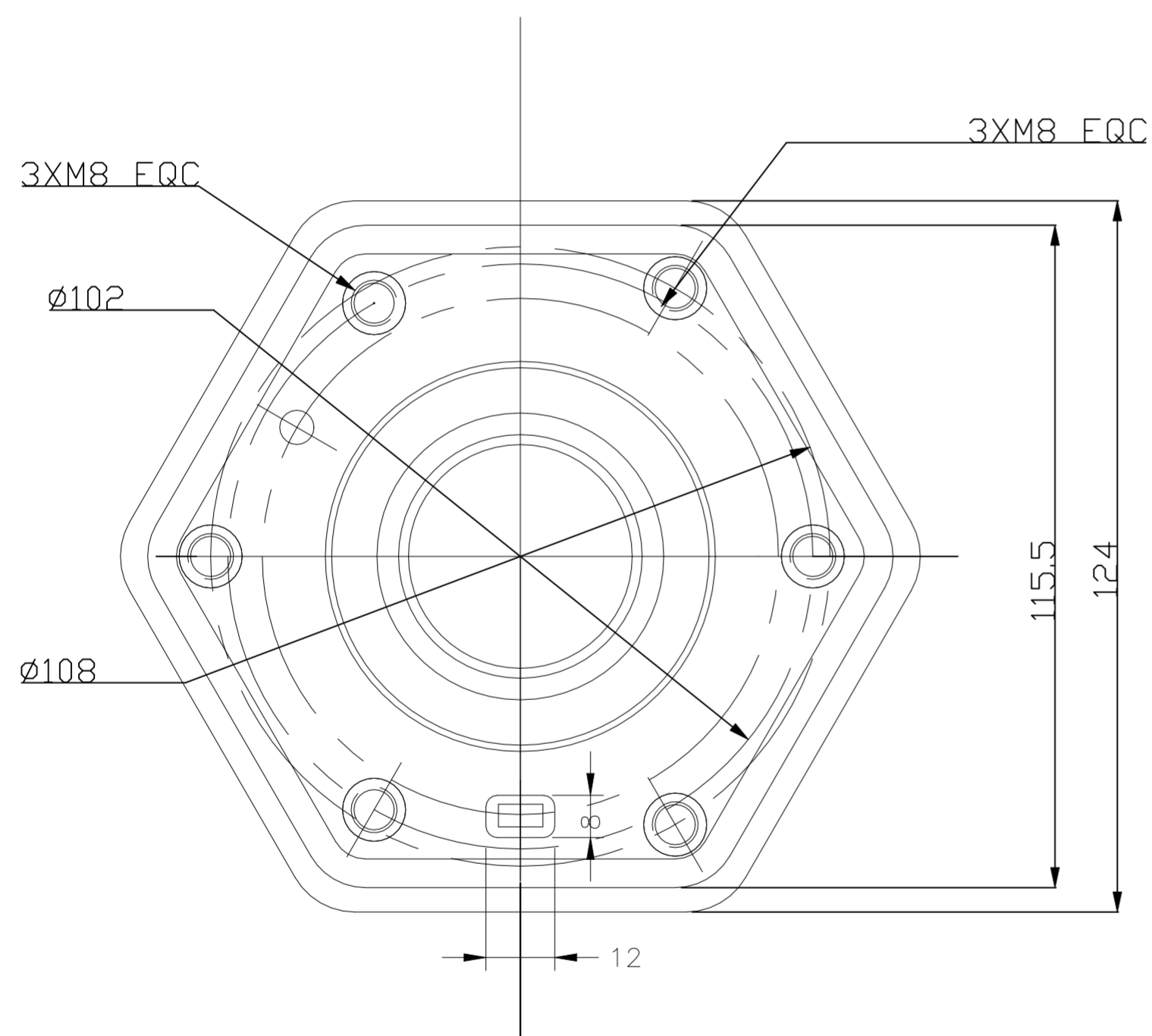
REVISIONS				
P	LTR	DESCRIPTION	DATE	APVD
1	-		-	-

Data sheet:

1. Reach electrical performance AC 117kV/5min, PD 45kV<10pC, BIL 200kV.
2. Sealing performance can reach leakage rate less than 1×10^{-8} Pa.mm³/s.

Note:

1. This drawing is only for customer usage.



THIS DRAWING IS A CONTROLLED DOCUMENT.		DWN MARTIN XUE 02JUN2016																				
DIMENSIONS: mm		CHK HUANG HE 02JUN2016																				
TOLERANCES UNLESS OTHERWISE SPECIFIED:		APVD TAN YUEZHONG	NAME MVCA-RPIS-2-VD CUSTOMER DRAWING-EN																			
<table border="1"> <tr><td>0 PLC</td><td>±</td><td>-</td></tr> <tr><td>1 PLC</td><td>±</td><td>-</td></tr> <tr><td>2 PLC</td><td>±</td><td>-</td></tr> <tr><td>3 PLC</td><td>±</td><td>-</td></tr> <tr><td>4 PLC</td><td>±</td><td>-</td></tr> <tr><td>ANGLES</td><td>±</td><td>-</td></tr> </table>		0 PLC	±	-	1 PLC	±	-	2 PLC	±	-	3 PLC	±	-	4 PLC	±	-	ANGLES	±	-	PRODUCT SPEC -	SIZE A2	CAGE CODE -
0 PLC	±	-																				
1 PLC	±	-																				
2 PLC	±	-																				
3 PLC	±	-																				
4 PLC	±	-																				
ANGLES	±	-																				
MATERIAL -		FINISH -	APPLICATION SPEC -	DRAWING NO C=2298377																		
		WEIGHT 0	SCALE 1:1	SHEET 1 OF 1																		
		CUSTOMER DRAWING	RESTRICTED TO -	REV 1																		