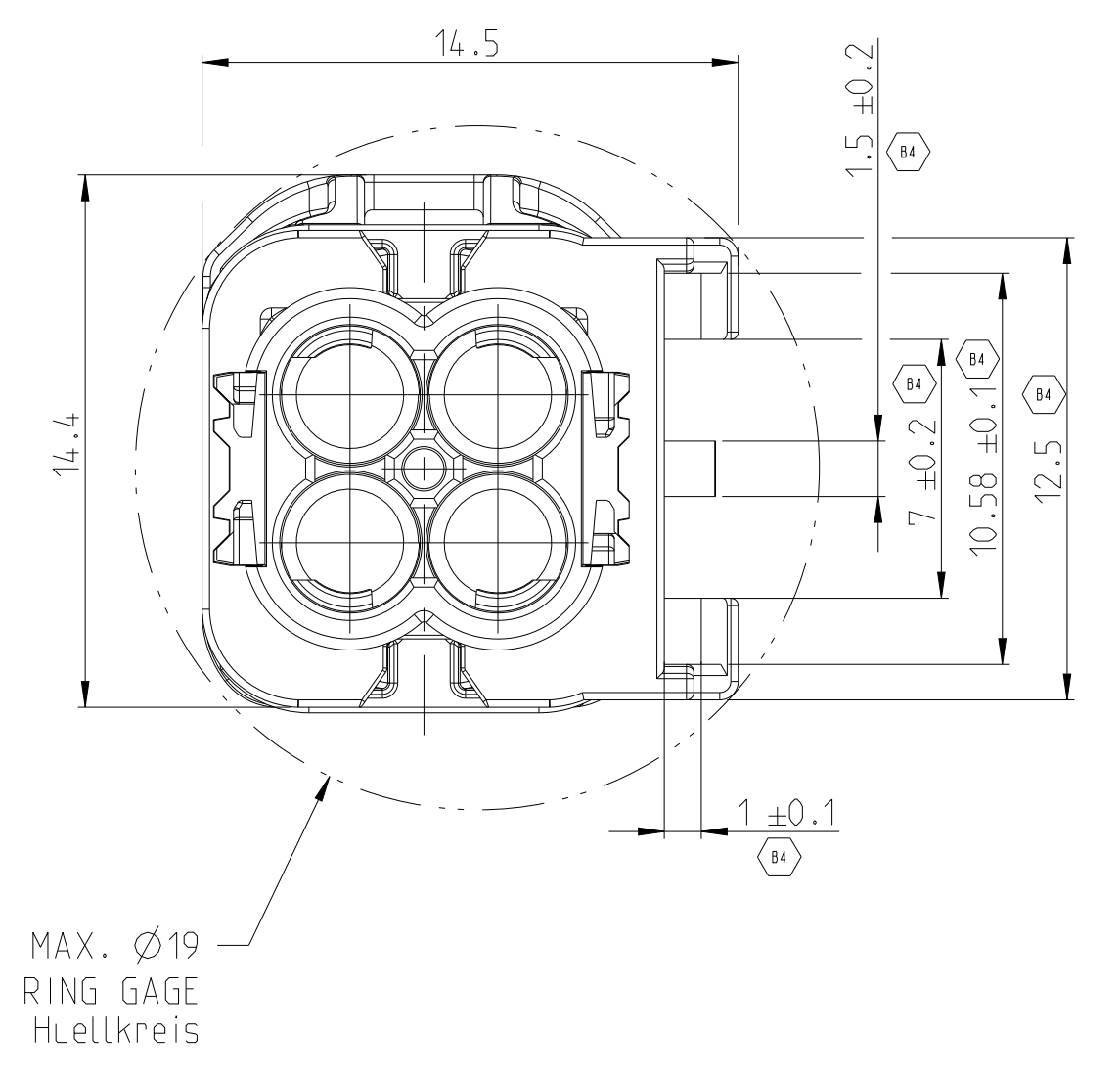
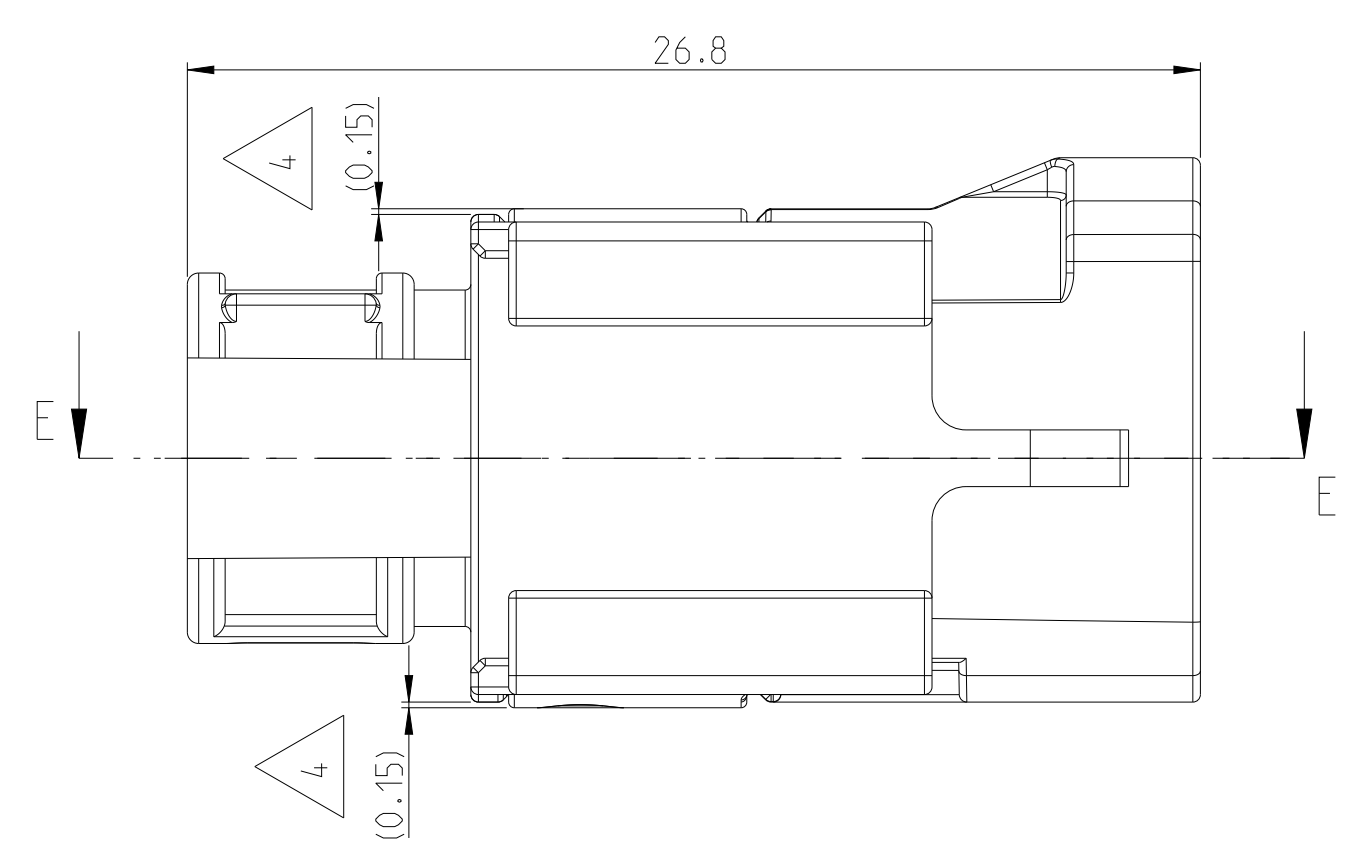
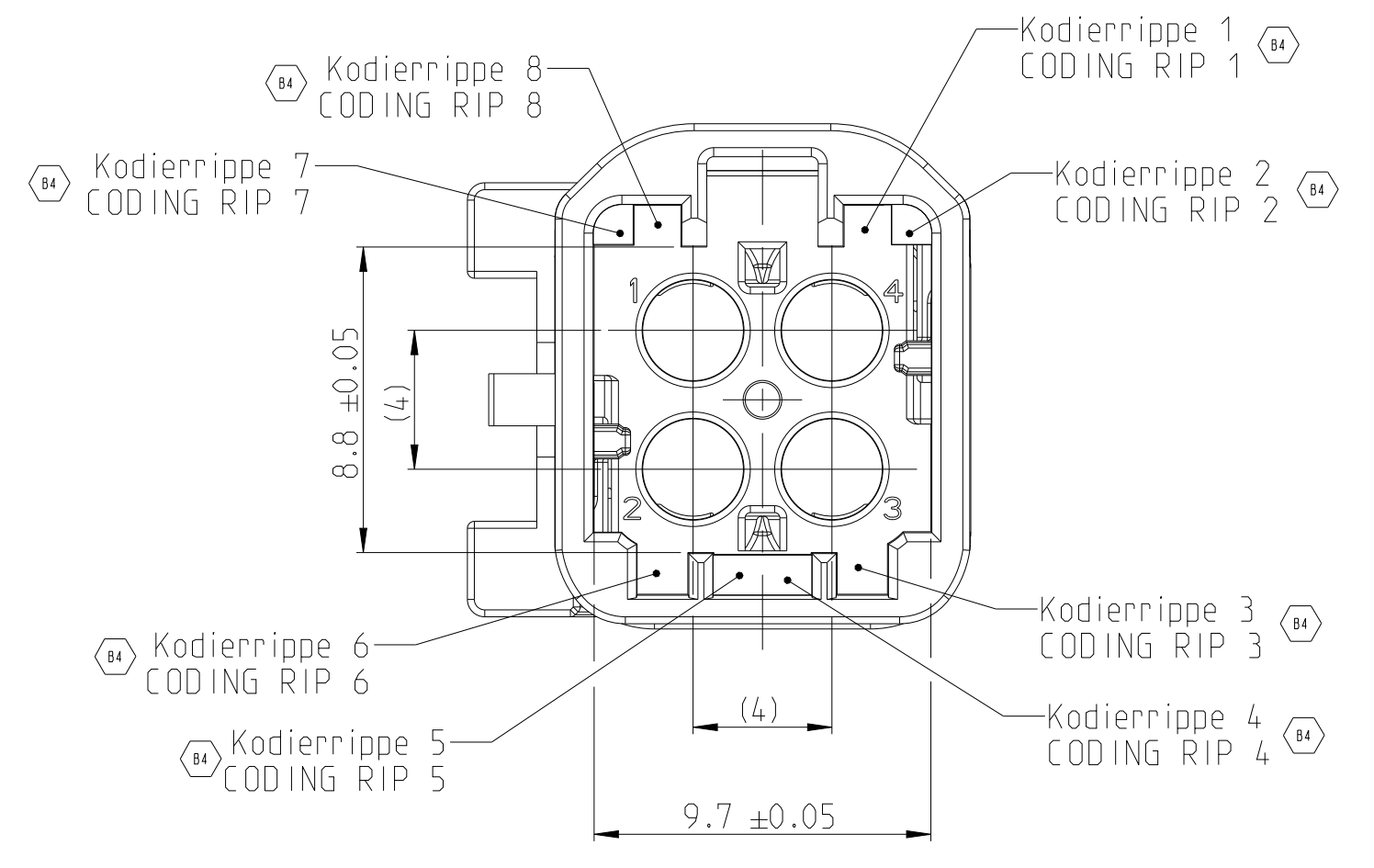
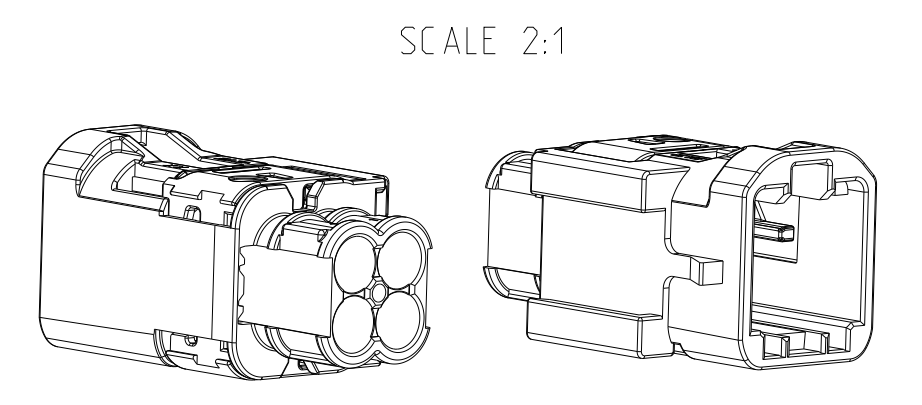
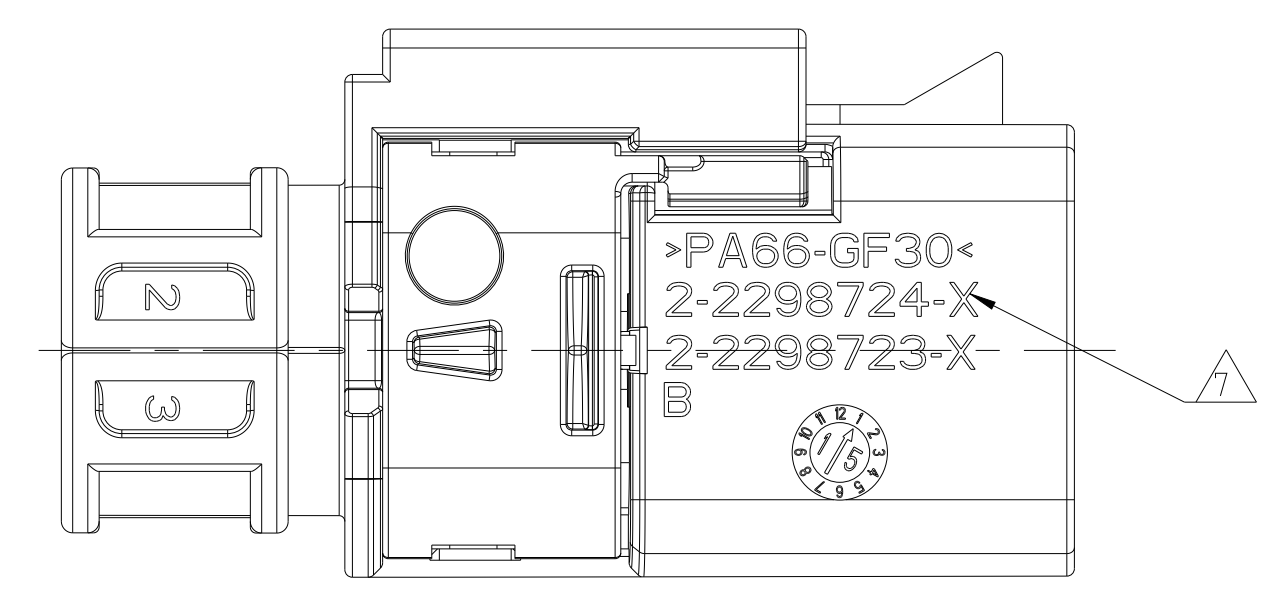


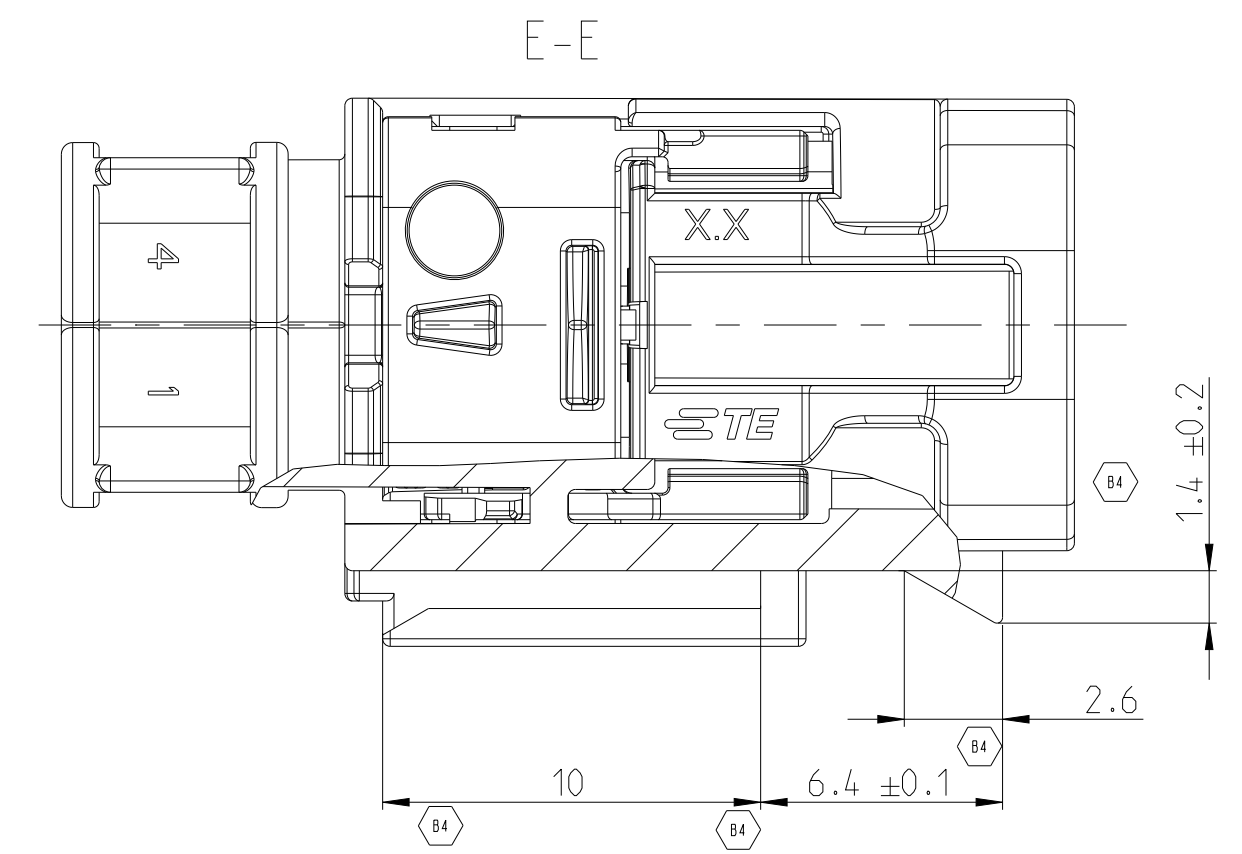
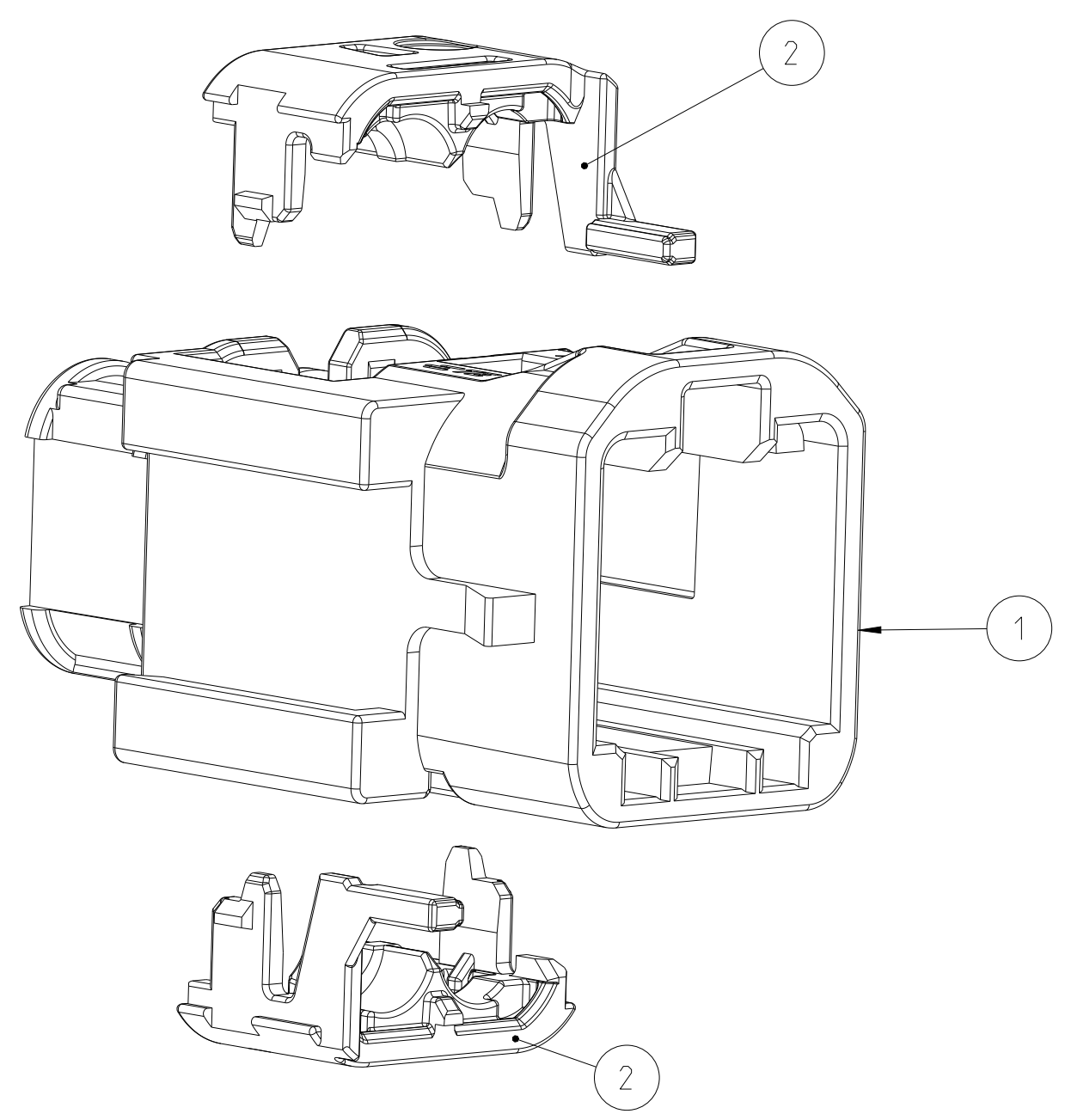
REVISIONS					
P	LTN	DESCRIPTION	DATE	OWN	APVD
B1		VERSION WITH CLIPRAIL ADDED	16OCT2019	VJ	CS
B2		NOTE 6 CHANGED	17MAY2019	GB	CS
B3		see change index B3 / s. Aenderungsindex B3	06FEB2020	GB	CS
B4		see change index B4 / s. Aenderungsindex B4	11JUL2022	LG	CS

2-2298724-1 CODE D-
 - AS SHOWN-
 WITH CLIP RAIL



- GENERAL NOTES
- PACKAGING: BULK IN A PLASTIC BAG IN A CARDBOARD BOX
 Verpackung: Schuettgut in Kunststoffbeutel in einem Karton
 - ALL DIMENSIONS IN BRACKETS FOR INFORMATION ONLY
 Alle Masse in Klammern nur zur Information
 - CODING VARIANCES SEE TABLE
 Kodierungsvarianten siehe Tabelle
 - DELIVERY CONDITION: RETAINER IN PRE-LOCKING POSITION.
 IF IN ENDOCKING POSITION OR LOST AFTER TRANSPORTATION,
 REWORK BY USING OF NEW RETAINER ALLOWED IN ACCORDANCE
 TO APPLICATION SPECIFICATION.
 Anlieferzustand: Sekundaersicherung in Vorraststellung.
 Wenn nach Transport endverrastet oder herausgefallen, Nacharbeit unter
 Verwendung neuer Sekundaersicherungen erlaubt gemass Verarbeitungs-
 Spezifikation.
 - SUITABLE CONTACT TE-PN 2298490 AND 2298511
 Passender Kontakt TE-PN 2298490 und 2298511
 - SUITABLE MATING CONNECTOR TE-PN 2298721
 Passender Anschlussstecker TE-PN 2298721
 - TE ORDER NUMBER
 - CONFECTION TESTS COMBINED WITH CONTACT LEADS ARE TO BE MADE
 WITH RF-ADAPTER 1-523216-1
 Konfektionspruefungen in Verbindung mit Leitungen sind durchzufuehren
 mit HF-Testadapter 1-523216-1

VIEW 3D EXPLODED
 SCALE 5:1



3 CODINGS, PLUG SIDE
 Kodierungen, Steckseite

SCALE 4:1	A	B	C	D	E	F	Z
CODING	A	B	C	D	E	F	Z
CODING RIP CONFIGURATION	2-4-6-8	1-3-5-7	1-3-6-8	2-4-5-7	1-2-5-6	3-4-7-8	-

2-2298724-9	Z	B	2	RETAINER	PA66-GF30	TRAFFIC PURPLE / 4006	2.06	2
			1	HOUSING	PA66-GF30	WATER BLUE / 5021		1
2-2298724-6	F	B	2	RETAINER	PA66-GF30	TRAFFIC PURPLE / 4006	2.12	2
			1	HOUSING	PA66-GF30	NUT BROWN / 8011		1
2-2298724-5	E	B	2	RETAINER	PA66-GF30	TRAFFIC PURPLE / 4006	2.12	2
			1	HOUSING	PA66-GF30	MAY GREEN / 6017		1
2-2298724-4	D	B	2	RETAINER	PA66-GF30	TRAFFIC PURPLE / 4006	2.12	2
			1	HOUSING	PA66-GF30	CLARET VIOLET / 4004		1
2-2298724-3	C	B	2	RETAINER	PA66-GF30	TRAFFIC PURPLE / 4006	2.12	2
			1	HOUSING	PA66-GF30	LIGHT BLUE / 5012		1
2-2298724-2	B	B	2	RETAINER	PA66-GF30	TRAFFIC PURPLE / 4006	2.12	2
			1	HOUSING	PA66-GF30	PURE WHITE / 9010		1
2-2298724-1	A	B	2	RETAINER	PA66-GF30	TRAFFIC PURPLE / 4006	2.12	2
			1	HOUSING	PA66-GF30	JET BLACK / 9005		1
7 TE-ORDER NO	3 COD	REV.	QTY.	DESCRIPTION	MATERIAL	COLOUR / SIMILAR RAL	WEIGHT (g)	POS.

THIS DRAWING IS A CONTROLLED DOCUMENT. OWN: K. Weinberger 11Jan2017, CHK: G. van de Burgt 11Jan2017, APVD: C. Schrettlinger 11JAN2017

DIMENSIONS: mm, TOLERANCES UNLESS OTHERWISE SPECIFIED: 0 PLC ±0.3, 1 PLC ±0.3, 2 PLC ±0.3, 3 PLC ±0.3, 4 PLC ±0.3, ANGLES FINISH: #1*

MATERIAL: -, FINISH: -

WEIGHT: -

CUSTOMER DRAWING

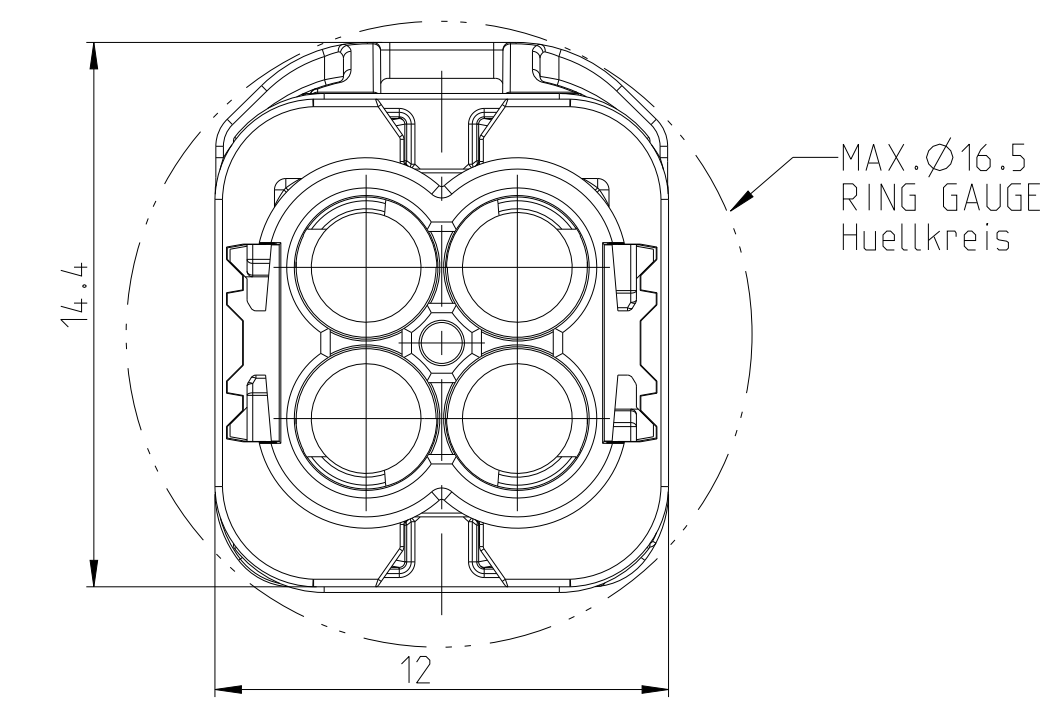
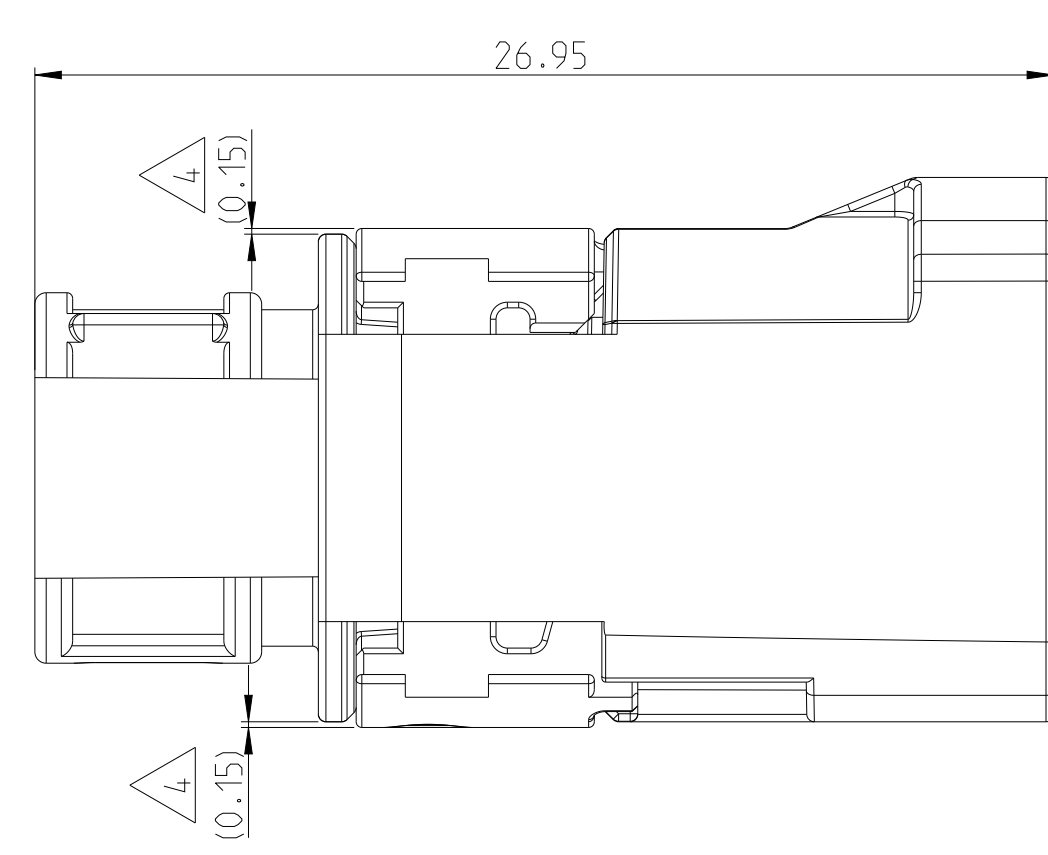
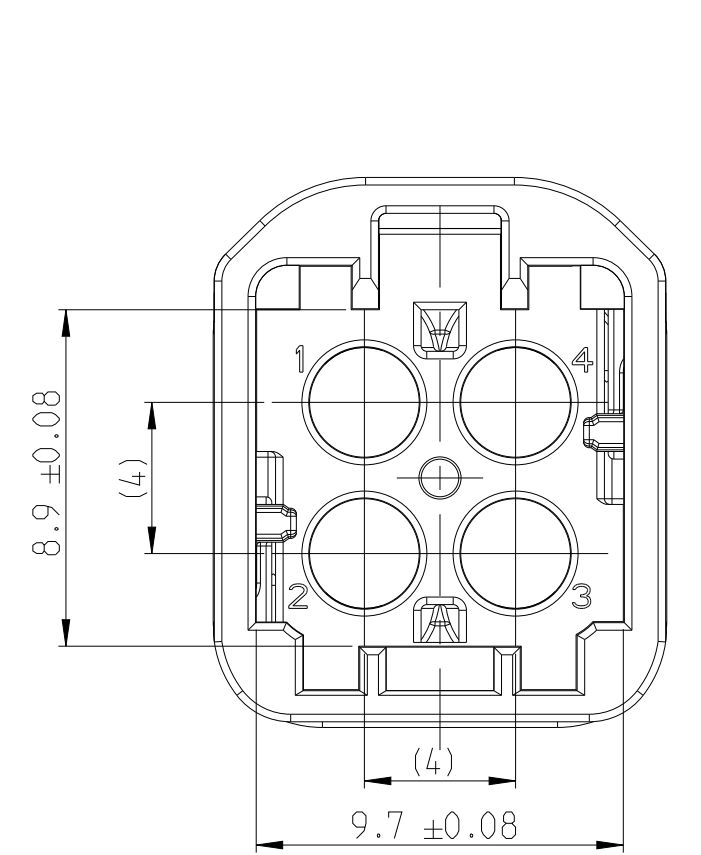
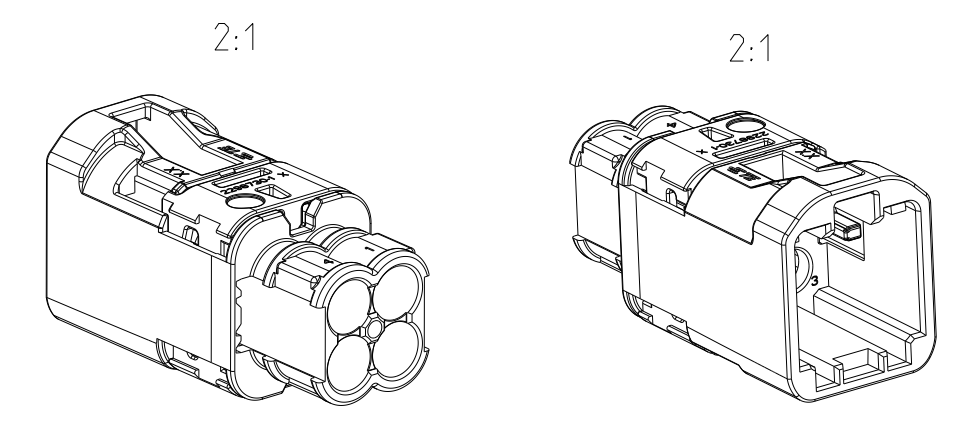
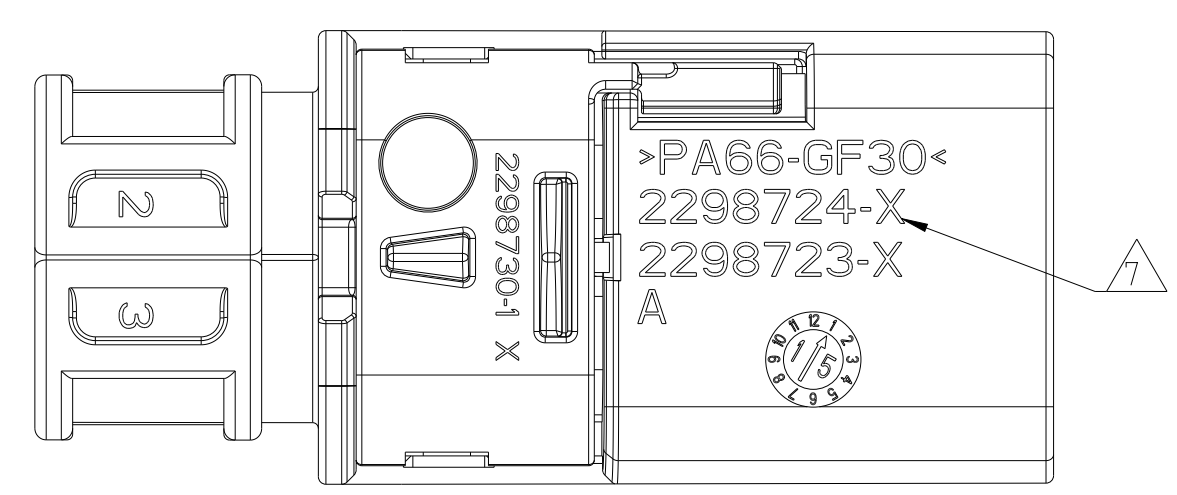
NAME: 4POS. MATEAX PIN HSG., UNSEALED, ASSY
 4pol. MATEAX Stiftgeh., ungedichtet, Assy

SIZE: A1, CAGE CODE: -, DRAWING NO: C=2298724, RESTRICTED TO: -

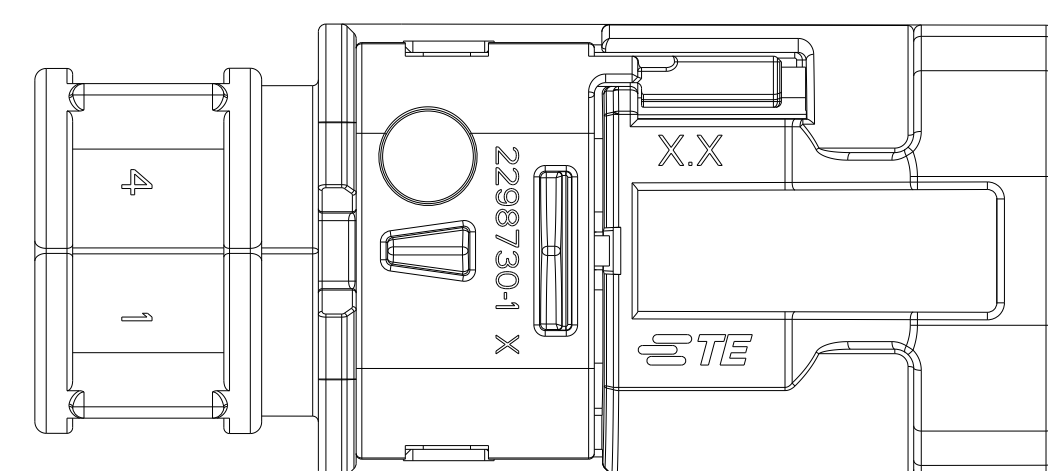
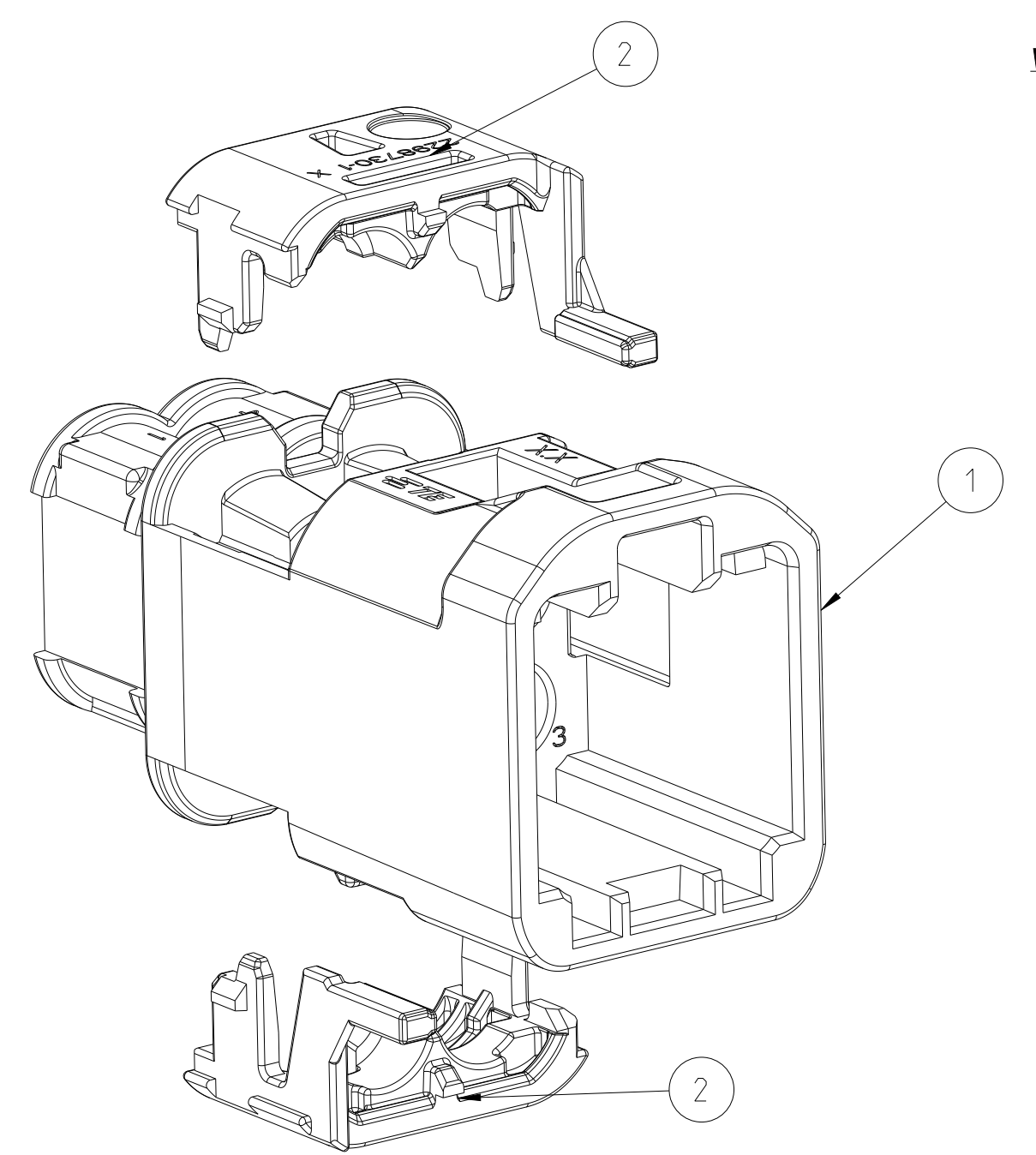
SCALE: 5:1, SHEET: 1 OF 2, REV: B4

REVISIONS				
P.	LTN.	DESCRIPTION	DATE	APPV.
		SEE SHEET 1		

2298724-1 CODE D -
 - AS SHOWN -
 WITHOUT CLIP RAIL

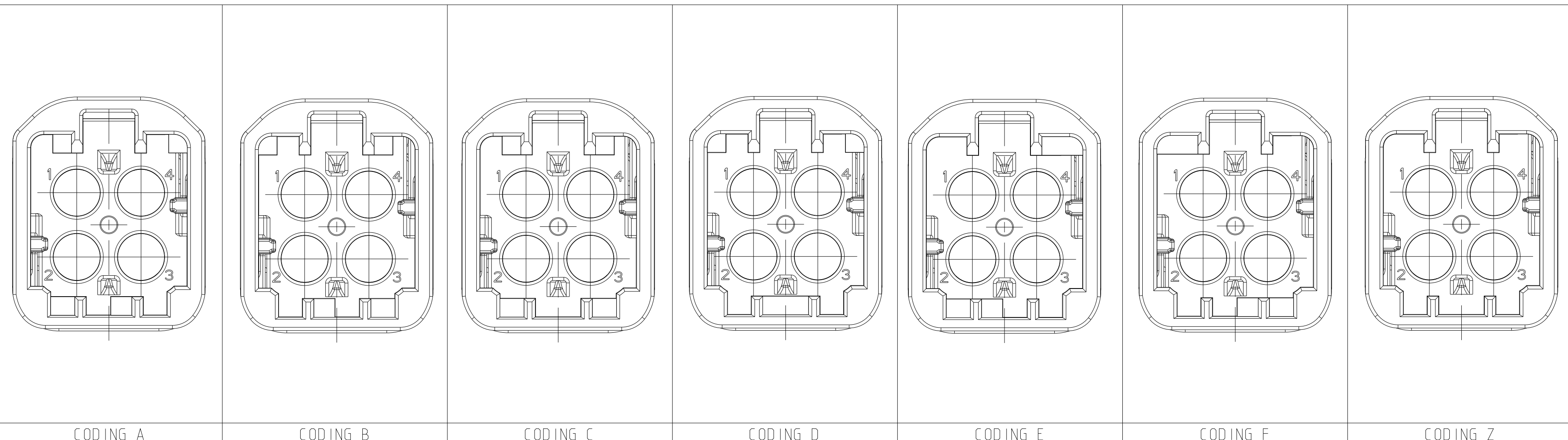


VIEW 3D EXPLODED
 SCALE: 5:1



2298724-X SUPERSEDED BY 2-2298724-X

3 CODINGS, PLUG SIDE
 Kodierungen, Steckseite



SUPERCEDED BY	2-2298724-X - VERSION WITH CLIPRAIL SEE PAGE 1	TE-ORDER NO	TE-ORDER NO	COD	REV.	QTY.	DESCRIPTION	MATERIAL	COLOUR / SIMILAR RAL	WEIGHT [g]	POS.
2-2298724-9	2298724-9	Z	A	2	1	1	RETAINER	PA66-GF30	TRAFFIC PURPLE / 4006	1.88	2
							HOUSING	PA66-GF30	WATER BLUE / 5021		1
2-2298724-6	2298724-6	F	A	2	1	1	RETAINER	PA66-GF30	TRAFFIC PURPLE / 4006	1.88	2
							HOUSING	PA66-GF30	NUT BROWN / 8011		1
2-2298724-5	2298724-5	E	A	2	1	1	RETAINER	PA66-GF30	TRAFFIC PURPLE / 4006	1.88	2
							HOUSING	PA66-GF30	MAY GREEN / 6017		1
2-2298724-4	2298724-4	D	A	2	1	1	RETAINER	PA66-GF30	TRAFFIC PURPLE / 4006	1.88	2
							HOUSING	PA66-GF30	CLARET VIOLET / 4004		1
2-2298724-3	2298724-3	C	A	2	1	1	RETAINER	PA66-GF30	TRAFFIC PURPLE / 4006	1.88	2
							HOUSING	PA66-GF30	LIGHT BLUE / 5012		1
2-2298724-2	2298724-2	B	A	2	1	1	RETAINER	PA66-GF30	TRAFFIC PURPLE / 4006	1.88	2
							HOUSING	PA66-GF30	PURE WHITE / 9010		1
2-2298724-1	2298724-1	A	A	2	1	1	RETAINER	PA66-GF30	TRAFFIC PURPLE / 4006	1.88	2
							HOUSING	PA66-GF30	JET BLACK / 9005		1

THIS DRAWING IS A CONTROLLED DOCUMENT.

DIMENSIONS: mm

TOLERANCES UNLESS OTHERWISE SPECIFIED:

0 PLC	±0.3
1 PLC	±0.3
2 PLC	±0.3
3 PLC	±0.3
4 PLC	±0.3
ANGLES	±1°

MATERIAL: - FINISH: -

APPROVED: K. Weinberger (11Jan2017), G. van de Burgt (11Jan2017), F. Schrettlinger (11JAN2017)

APPLICATION SPEC: -

WEIGHT: -

CUSTOMER DRAWING

NAME: 4POS. MATEAX PIN HSG., UNSEALED, ASSY / 4pol. MATEAX Stiftgeh., ungedichtet, Assy

SIZE: A1 CAGE CODE: - DRAWING NO: C=2298724

RESTRICTED TO: -

SCALE: 5:1 SHEET: 2 OF 2 REV: B4