

THIS DRAWING IS UNPUBLISHED.

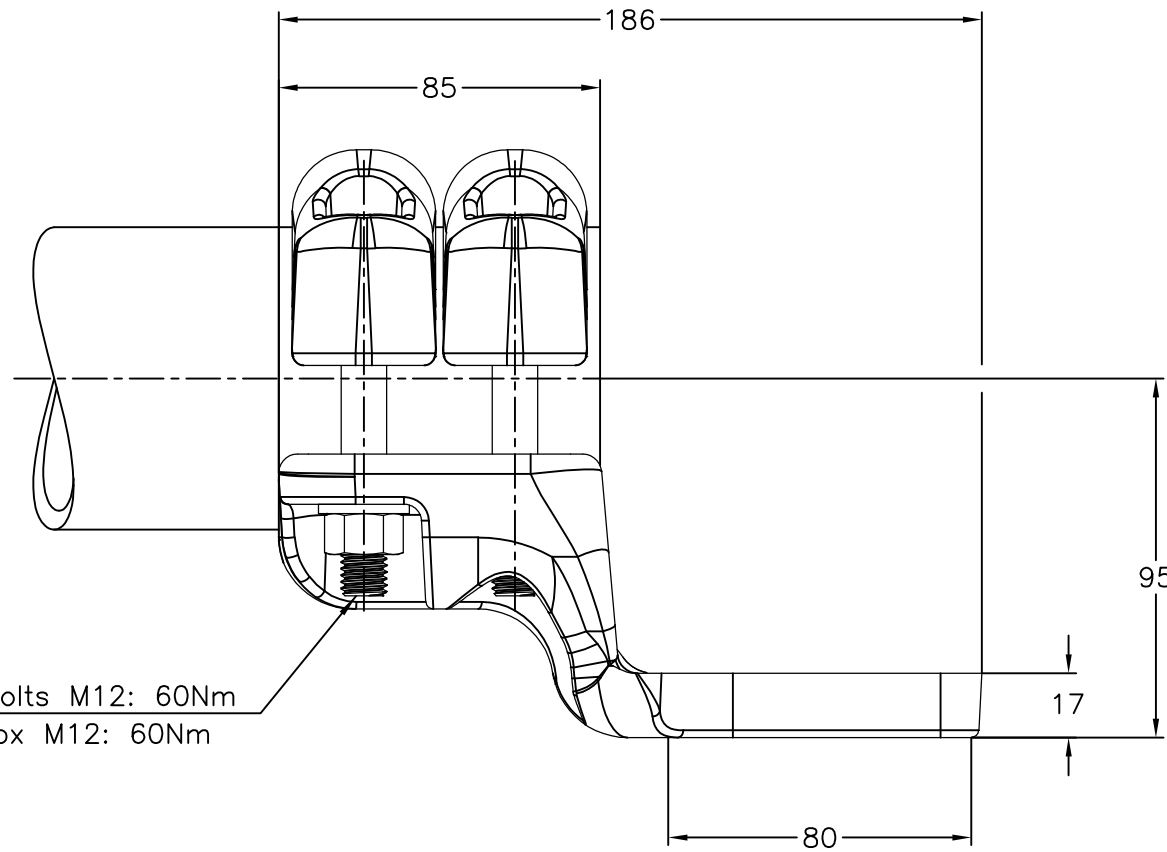
RELEASED FOR PUBLICATION

ALL RIGHTS RESERVED.

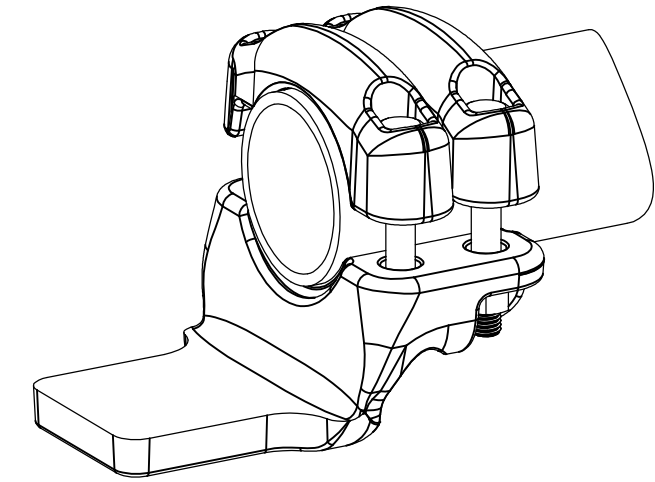
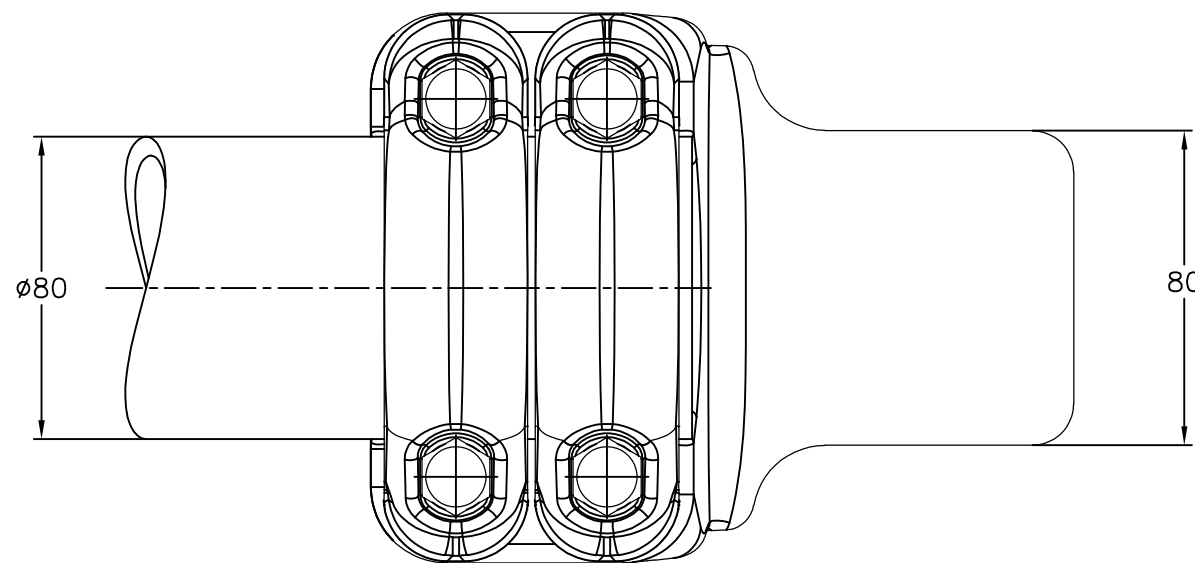
© COPYRIGHT - By -

REVISIONS

P	LTR	DESCRIPTION	DATE	DWN	APVD
	B	UPDATED DRAWING	10-Oct-16	PG	-



Stainless steel Bolts M12: 60Nm
 Boulons acier inox M12: 60Nm



No scale
 Sans échelle

THIS DRAWING IS A CONTROLLED DOCUMENT.

DWN MOYEUR 15-Jan-16

CHK -

APVD -

PRODUCT SPEC

108-69090-001

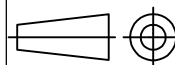
APPLICATION SPEC

-

APPROX.WEIGHT 2.3 kg

CUSTOMER DRAWING

DIMENSIONS:
mm



TOLERANCES UNLESS OTHERWISE SPECIFIED:

0 PLC	± -
1 PLC	± -
2 PLC	± -
3 PLC	± -
4 PLC	± -
ANGLES	± -
FINISH	-

MATERIAL -



NAME
 BUSBAR CONNECTOR TO HORIZONTAL PAD
 RACCORD TUBE SUR PLAGE DEPORTEE
 5 TTPD 82 T80 80

SIZE	CAGE CODE	DRAWING NO	RESTRICTED TO
A3	00779	C=2299677	-

SCALE	SHEET	REV
1/2	1 OF 1	B

ITEM:.....