

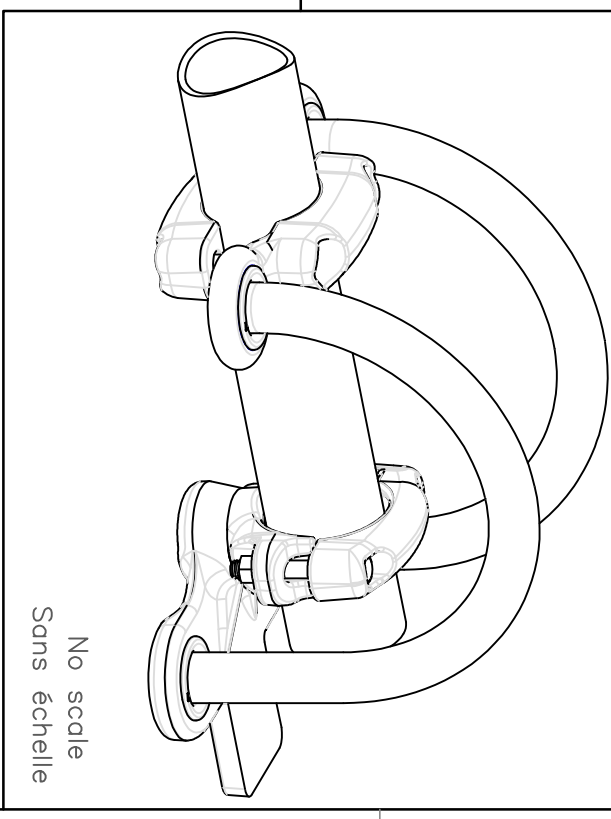
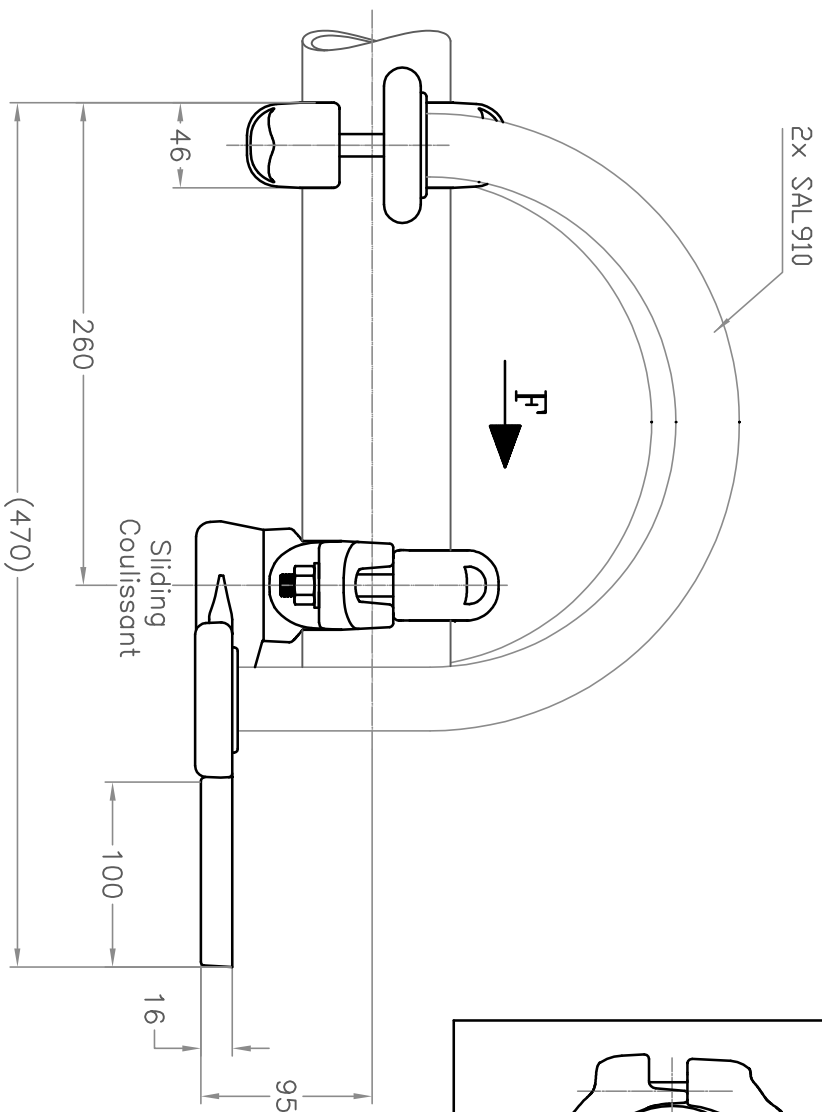
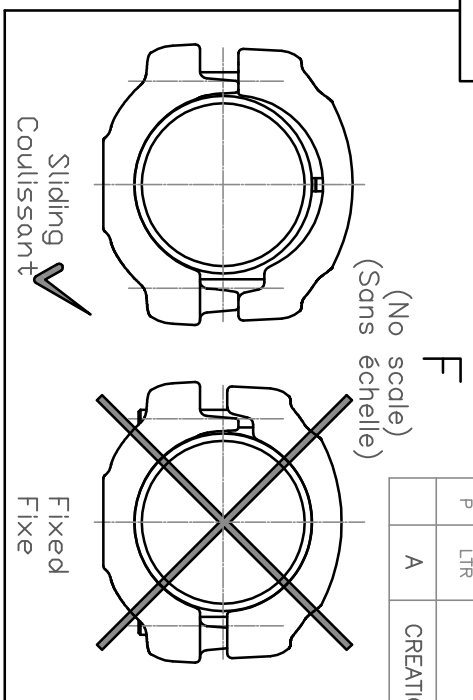
THIS DRAWING IS UNPUBLISHED.

RELEASED FOR PUBLICATION
ALL RIGHTS RESERVED.

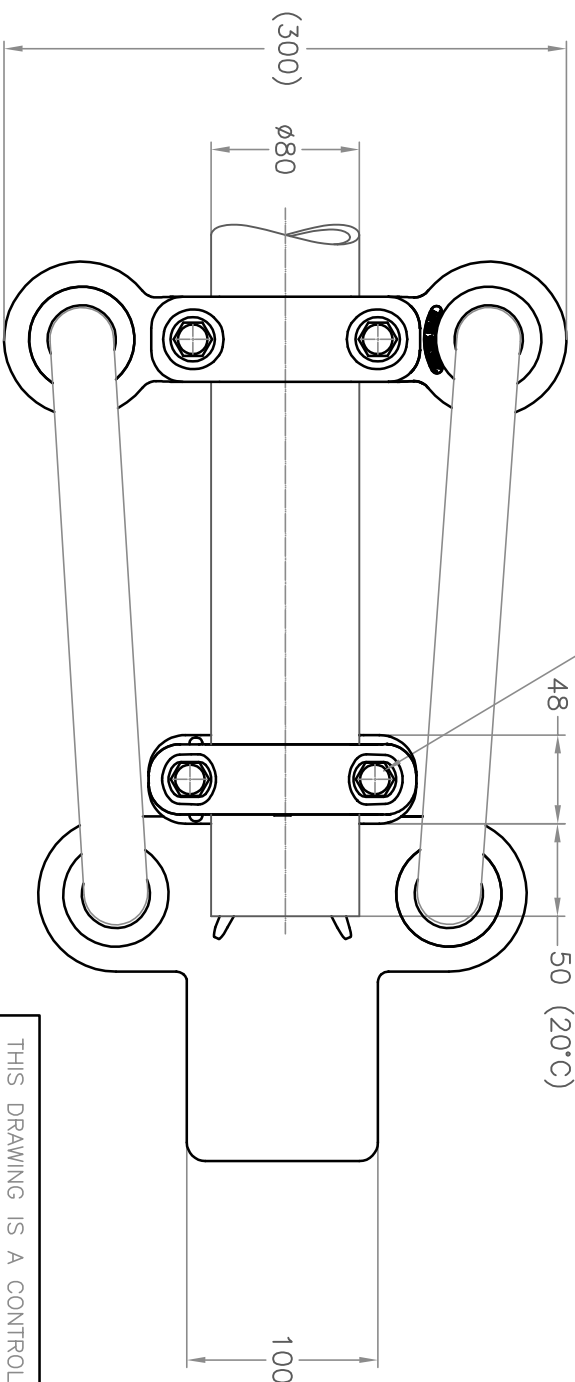
© COPYRIGHT - By -

REVISIONS

P	LTR	DESCRIPTION	DATE	DWN	APVD
A		CREATION	15-Jan-16	JPM	-



M12 Stainless steel bolts: 60Nm
Boulons M12 acier inoxydable: 60Nm



THIS DRAWING IS A CONTROLLED DOCUMENT.

DIMENSIONS: mm

TOLERANCES UNLESS OTHERWISE SPECIFIED:

0 PLC	±
1 PLC	±
2 PLC	±
3 PLC	±
4 PLC	±
ANGLES	±
FINISH	-

DWN 15-Jan-16
CHK MOYEUX

APVD -
NAME
STE TE Connectivity

PRODUCT SPEC 108-69090-001

EXPANSION TERMINAL FOR PAD
TERMINAISON A DILATATION A PLAGE

APPLICATION SPEC

SIZE A3
CAGE CODE -
DRAWING NO 5 TTPDL 82 180 100 29

APPROX WEIGHT 6.5 kg

RESTRICTED TO

CUSTOMER DRAWING

SCALE 1:4
SHEET 1 OF 1
REV A

ITEM: