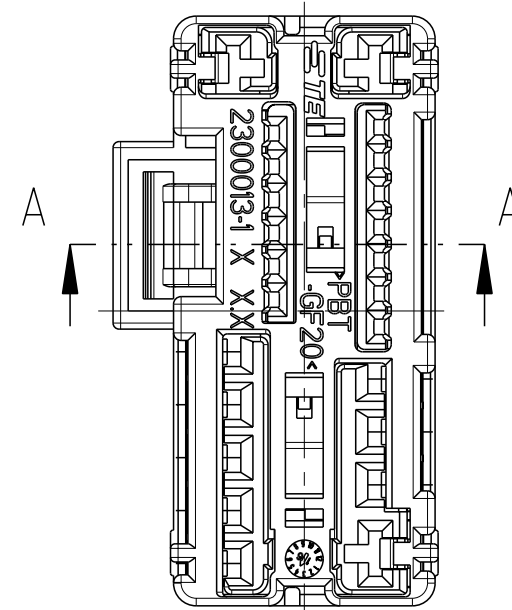
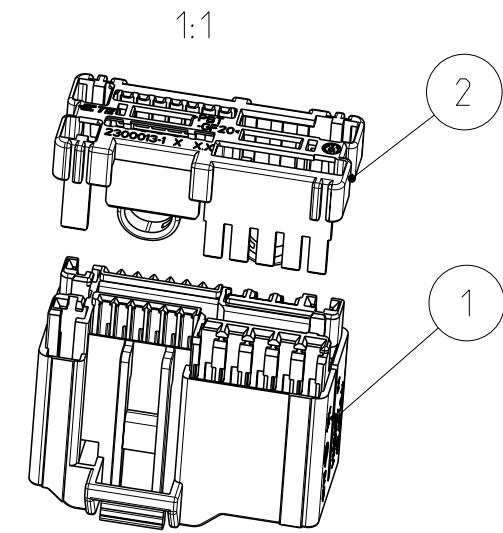
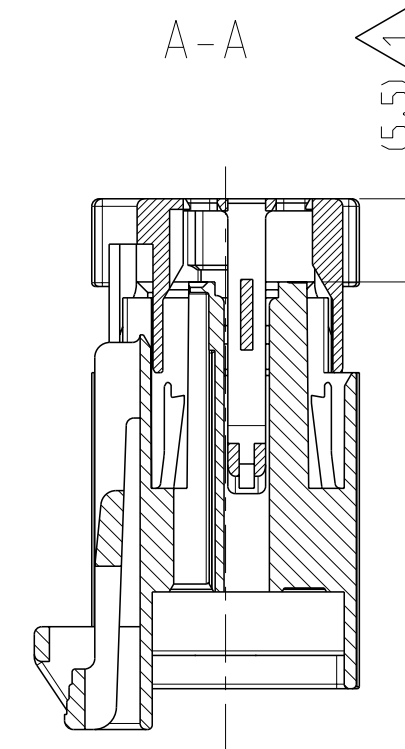
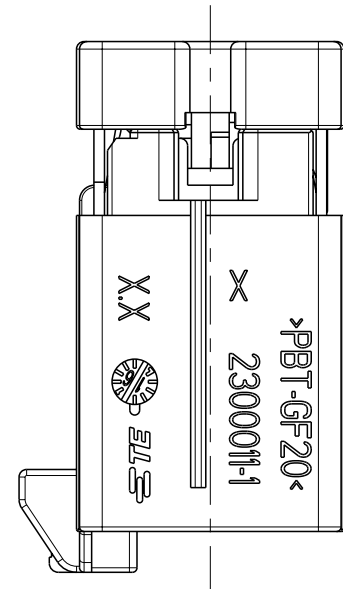
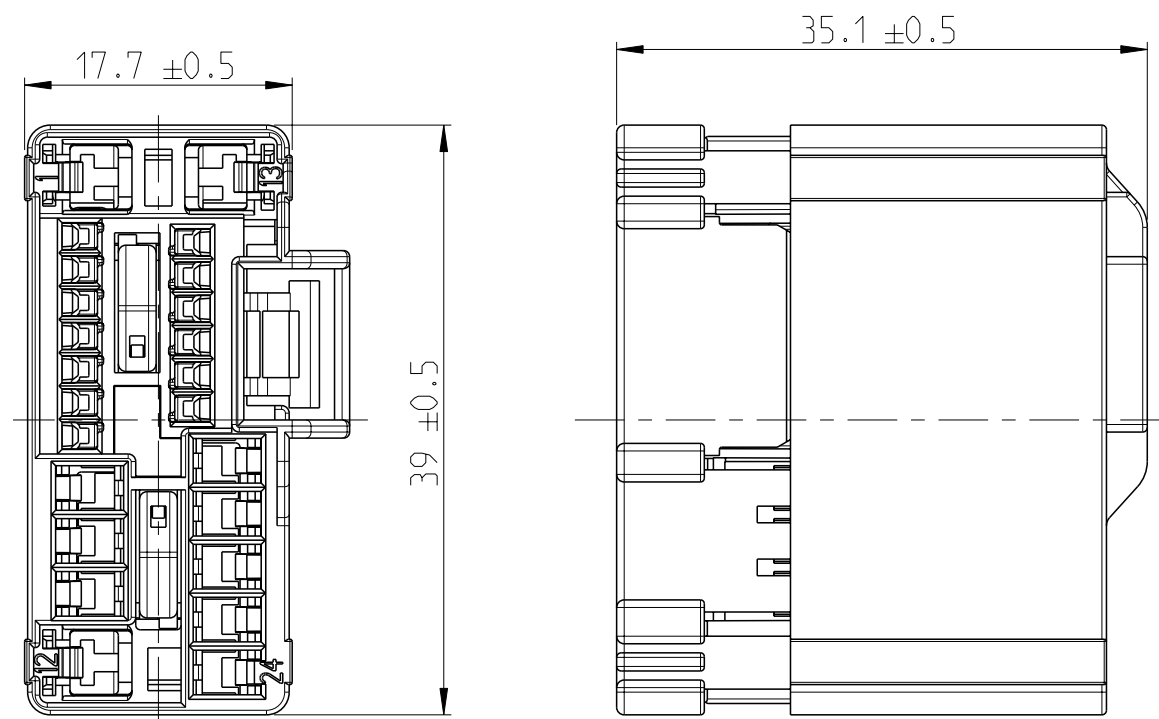
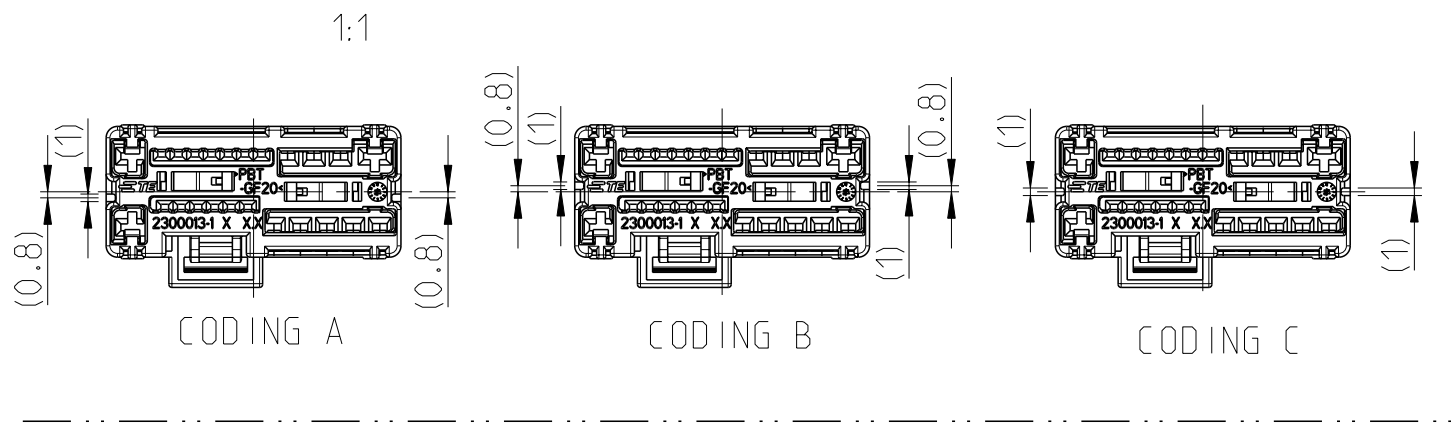


CODING OPTIONS

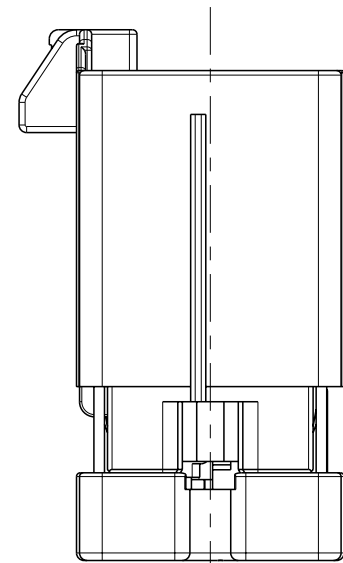


REVISIONS					
P	LTR	DESCRIPTION	DATE	DWN	APVD
B2		SEE PCN E-17-010197	13JUL2017	GH	HR
B3		SEE PCN E-17-014945	11OCT2017	GH	HR
B4		SEE ECR-19-008515	29MAY2019	GH	HR
B5		SEE PCN-21-106824	14MAY2021	GH	HR

NOTES

- DELIVERY CONDITION: SPACER (TPA) IN PRE-LOCK POSITION. THIS CONDITION TO BE RECOVERED ACCORDING APPLICATION SPECIFICATION IF SPACER CLOSED DURING TRANSPORTATION
- MATING PART SEE DRAWING 2300007
- ONLY FOR INFORMATION. CHECK LATEST REVISION OF THE SUPPLIER SPECIFICATION FOR TERMINAL PROPERTIES

APPLICABLE COMPONENTS BOX					
DESCRIPTION	PLATING /COLOUR	SUPPLIER	SUPPLIER PART NO. (WIRE SIZE)	TE APPL. SPEC. /TE PROD. SPEC.	APPL. CONTACT CAVITY NUMBER
0.64 GENERATION Y UNSEALED FEMALE TERMINAL	TIN	TE	2035334-1 (0.35-0.5mm ²)	114-13183	2-8/14-19
0.64 GENERATION Y UNSEALED FEMALE TERMINAL	TIN	TE	2035334-3 (0.35-0.5mm ²)	114-13183	2-8/14-19
0.64 GENERATION Y UNSEALED FEMALE TERMINAL	TIN	TE	2035334-6 (0.35mm ²)	114-13183	2-8/14-19
0.64 GENERATION Y UNSEALED FEMALE TERMINAL	TIN	TE	2035334-8 (0.35mm ²)	114-13183	2-8/14-19
1.5 UNSEALED FEMALE TERMINAL	TIN	YAZAKI	7116-6315-02 (0.35-0.5mm ²)	-	9-11/20-24
1.5 UNSEALED FEMALE TERMINAL	TIN	YAZAKI	7116-6316-02 (0.75-1.0mm ²)	-	9-11/20-24
1.5 UNSEALED FEMALE TERMINAL	TIN	YAZAKI	7116-6317-02 (1.5mm ²)	-	9-11/20-24
2.8 UNSEALED FEMALE TERMINAL	TIN	YAZAKI	7116-4270-02 (0.35-0.5mm ²)	-	1/12/13
2.8 UNSEALED FEMALE TERMINAL	TIN	YAZAKI	7116-4271-02 (0.75-1.0mm ²)	-	1/12/13
2.8 UNSEALED FEMALE TERMINAL	TIN	YAZAKI	7116-4272-02 (1.5-2.5mm ²)	-	1/12/13
2.8 UNSEALED FEMALE TERMINAL	TIN	TE	1326030-1/-5 (0.35mm ²)	114-13013	1/12/13
2.8 UNSEALED FEMALE TERMINAL	TIN	TE	1326030-2/-6 (0.5-1.0mm ²)	114-13013	1/12/13
2.8 UNSEALED FEMALE TERMINAL	TIN	TE	1326030-3/-7 (1.5-2.5mm ²)	114-13013	1/12/13
2.8 UNSEALED FEMALE TERMINAL	TIN	TE	1326030-4/-8 (4.0mm ²)	114-13013	1/12/13



QTY PER ASSEMBLY	DESCRIPTION	COLOUR	ITEM NO
1	SPACER (TPA)	RED	2
1	HOUSING COD C	NATURAL	1
1	SPACER (TPA)	RED	2
1	HOUSING COD B	BLACK	1
1	SPACER (TPA)	RED	2
1	HOUSING COD A	GRAY	1
12	WEIGHT [g]		

PARTS LIST

THIS DRAWING IS A CONTROLLED DOCUMENT.		DWN G. HOJEA 07APR2016	TE Connectivity	
DIMENSIONS: mm		CHK H. RIPPER 07APR2016		
TOLERANCES UNLESS OTHERWISE SPECIFIED:		APVD R. OSTERMANN 27JUN2016	NAME FEMALE HOUSING ASSEMBLY, 24 WAY INLINE CONNECTOR, UNSEALED	
0 PLC ±		PRODUCT SPEC	SIZE A2	
1 PLC ±0		APPLICATION SPEC	CAGE CODE A1	
2 PLC ±0		114-94483	DRAWING NO C-2300010	
3 PLC ±0		WEIGHT -	RESTRICTED TO -	
4 PLC ±0		CUSTOMER DRAWING	SCALE 5:1 SHEET 1 OF 1 REV B5	
ANGLES ±				
FINISH -				

printed on 9 Jul 2021 15:54 (Mitteltourap from EGO09749)