

4

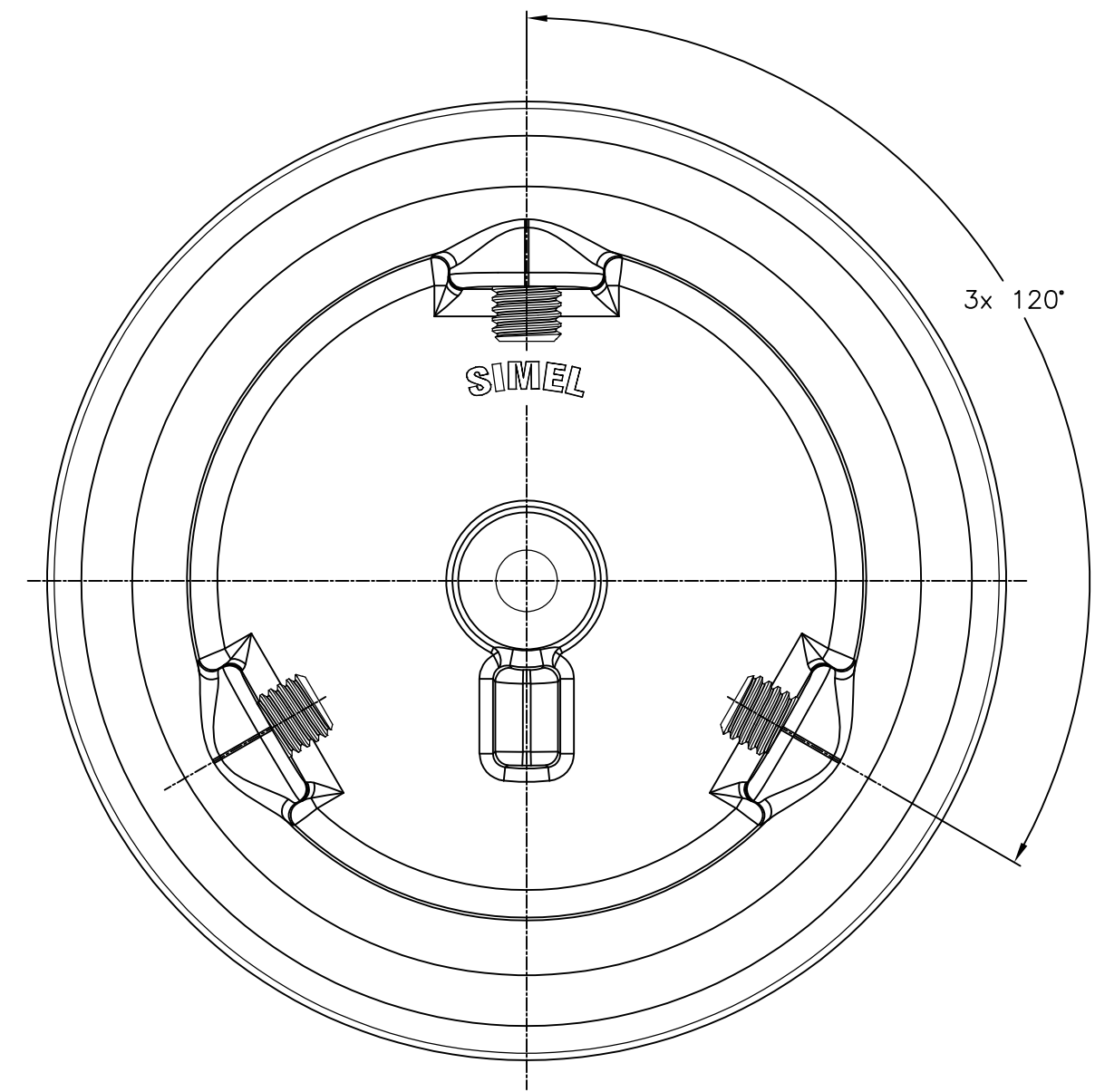
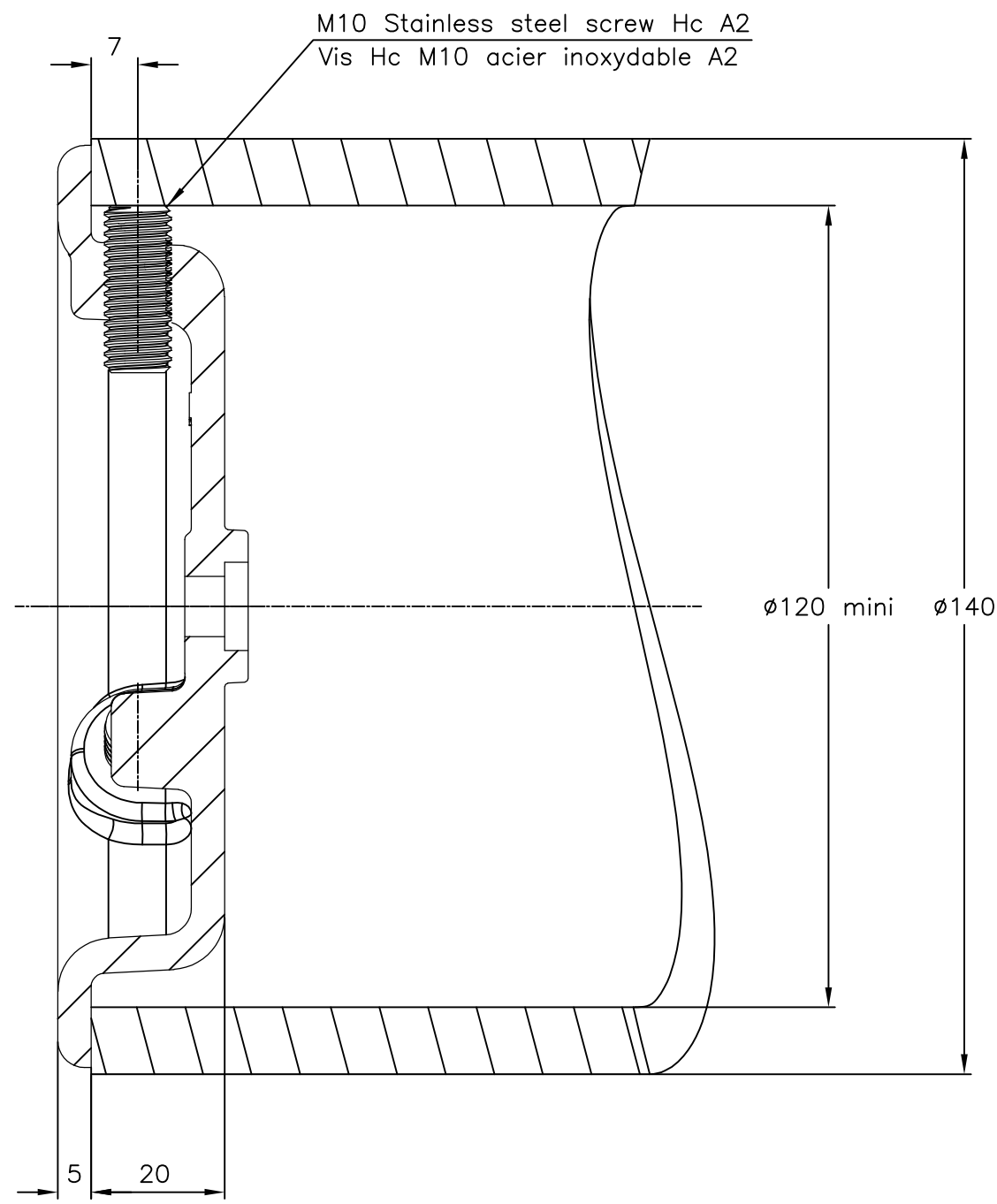
3

2

1

THIS DRAWING IS UNPUBLISHED. RELEASED FOR PUBLICATION - . - .
 © COPYRIGHT - By - ALL RIGHTS RESERVED.

REVISIONS					
P	LTR	DESCRIPTION	DATE	DWN	APVD
	A	CREATION	5-Dec-16	JPM	-



ITEM:

THIS DRAWING IS A CONTROLLED DOCUMENT.		DWN	MOYEURX		5-Dec-16	STE TE Connectivity		
DIMENSIONS: mm		CHK	-		APVD			
TOLERANCES UNLESS OTHERWISE SPECIFIED:		PRODUCT SPEC	108-69090-001		NAME			END CAP
0 PLC ± -		APPLICATION SPEC	-		SIZE			BOUCHON PLAT
1 PLC ± -		RESTRICTED TO	-		CAGE CODE	DRAWING NO		5 TABP 82 T140
2 PLC ± -		WEIGHT	0.34 kg		A3	00779	C=2301077	
3 PLC ± -		CUSTOMER DRAWING	SCALE		1/1		SHEET	1 OF 1
4 PLC ± -							REV	A
ANGLES ± -								
FINISH								
MATERIAL								